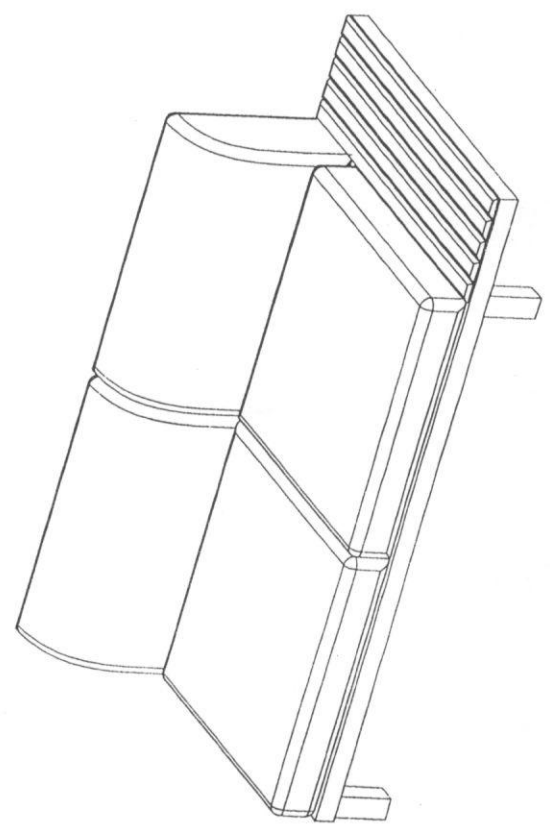
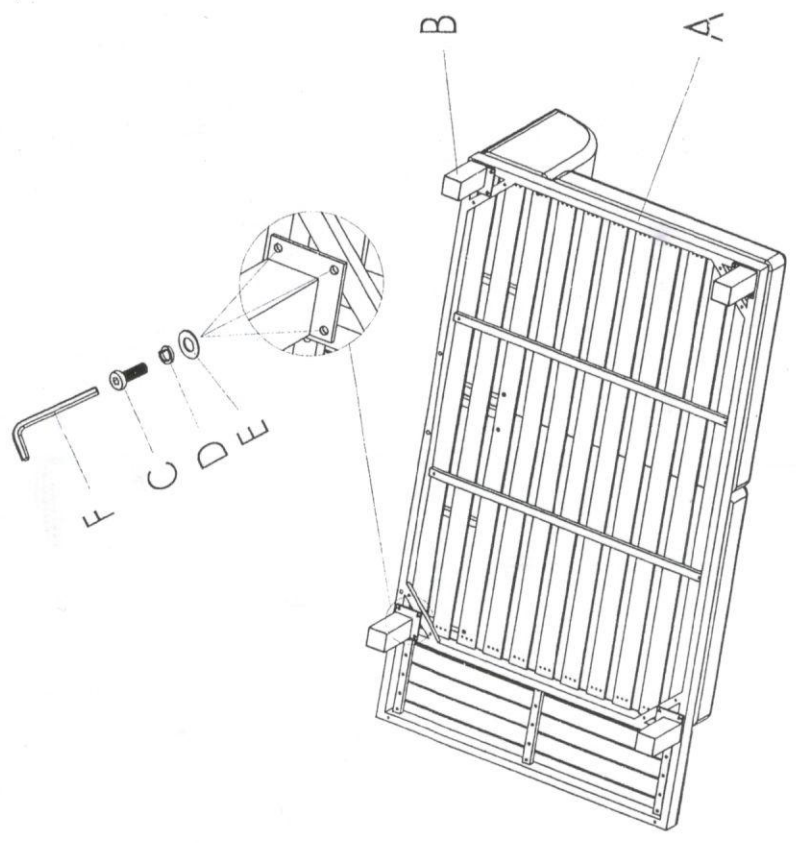
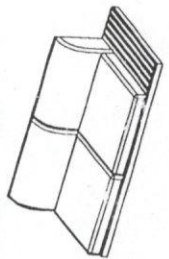
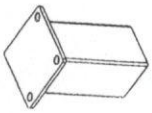




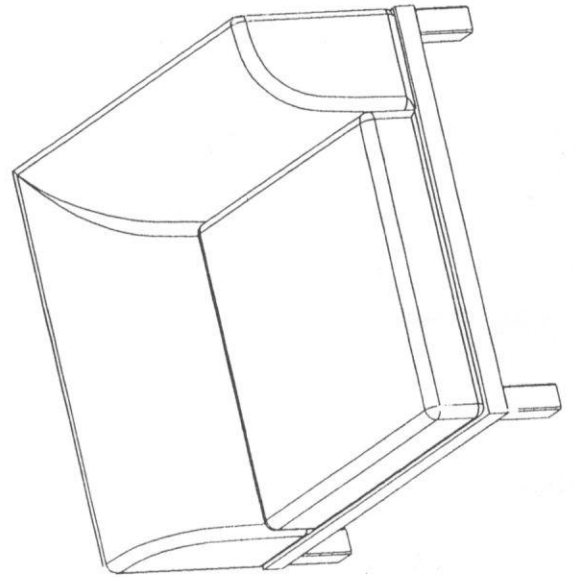
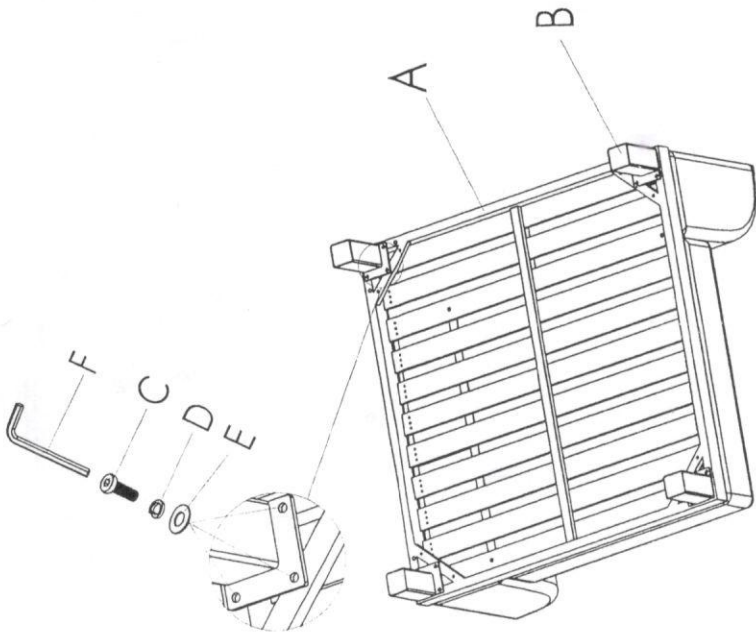


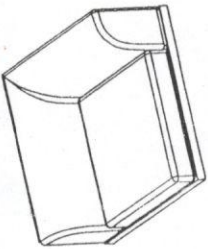
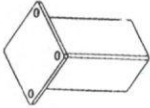




1

A		X1
B		X4
C	<p>1/4*20</p>	X12
D	<p>1/4</p>	X12
E	<p>1/4</p>	X12
F	<p>1/4</p>	X1



X1	X4	X12	X12	X12	X1
		 $1/4 \times 20$	 $1/4$	 $1/4$	 $1/4$
A	B	C	D	E	F



A		X1
B		X4
C	 1/4*20	X12
D	 1/4	X12
E	 1/4	X12
F	 1/4	X1