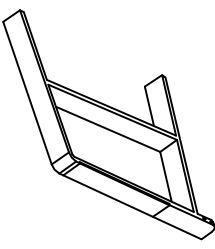
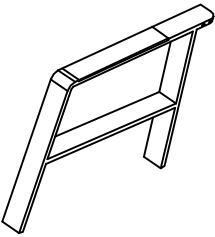
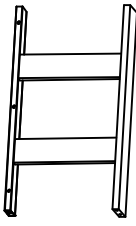
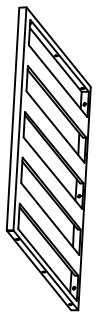





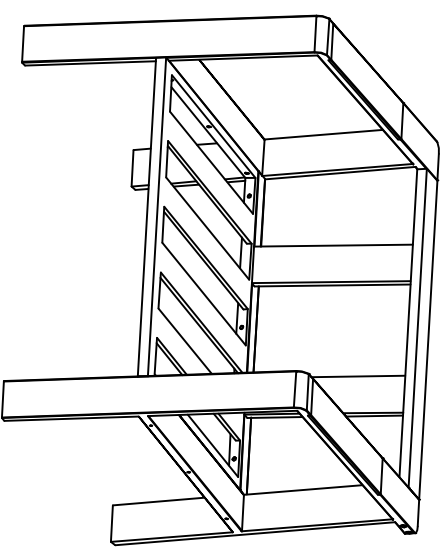
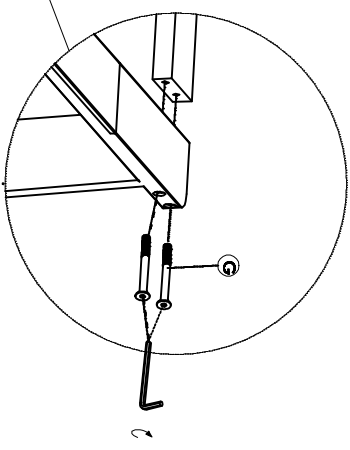
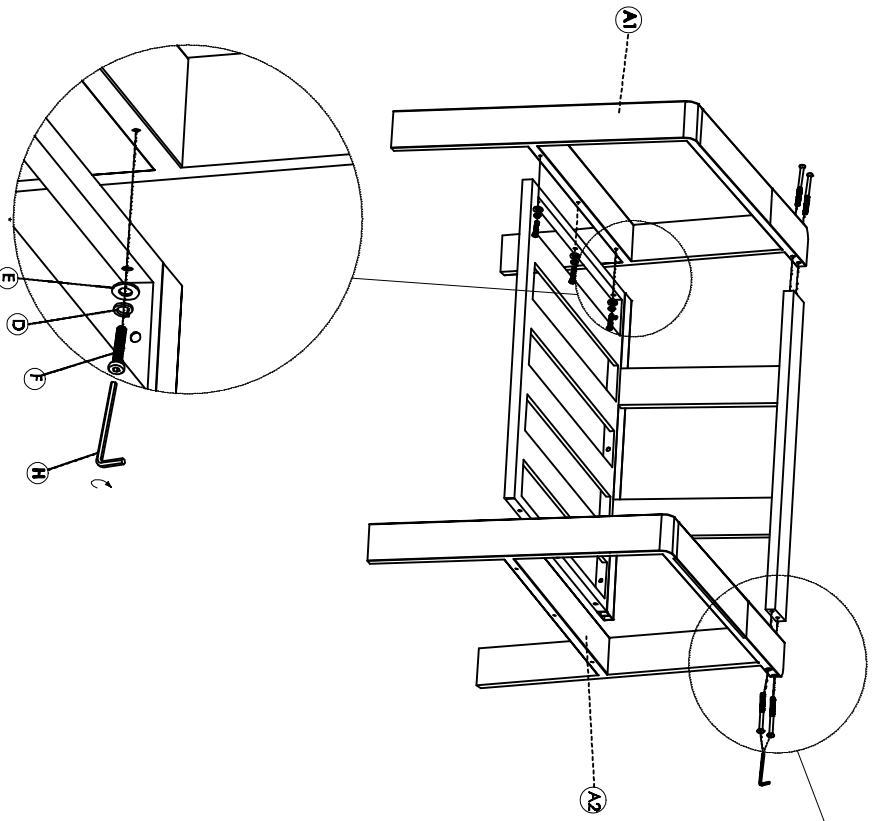
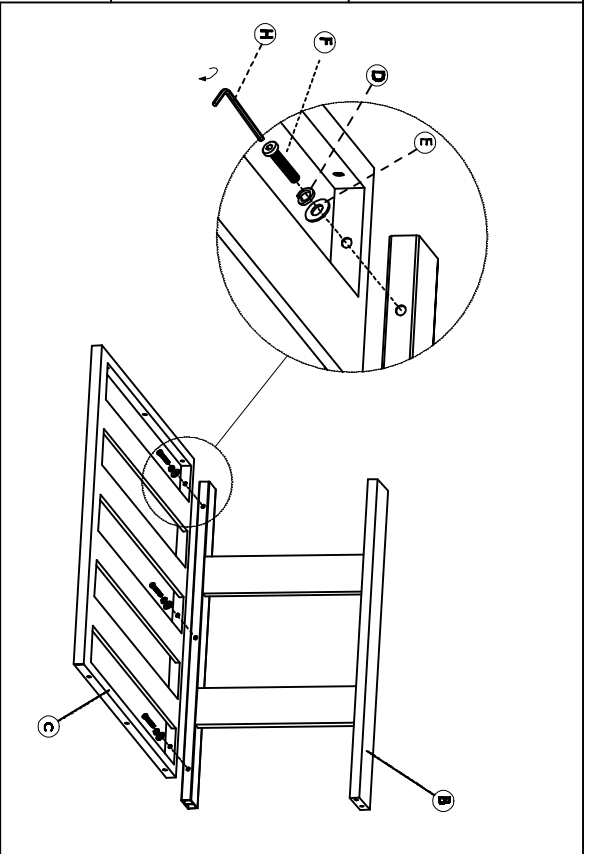
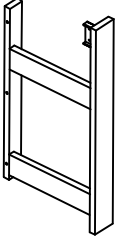
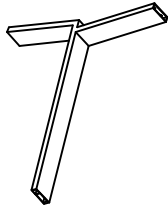
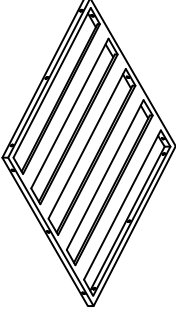
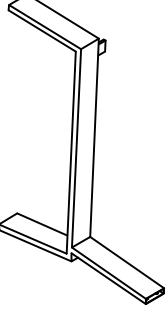
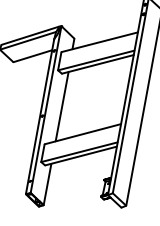





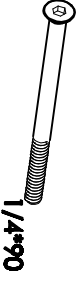
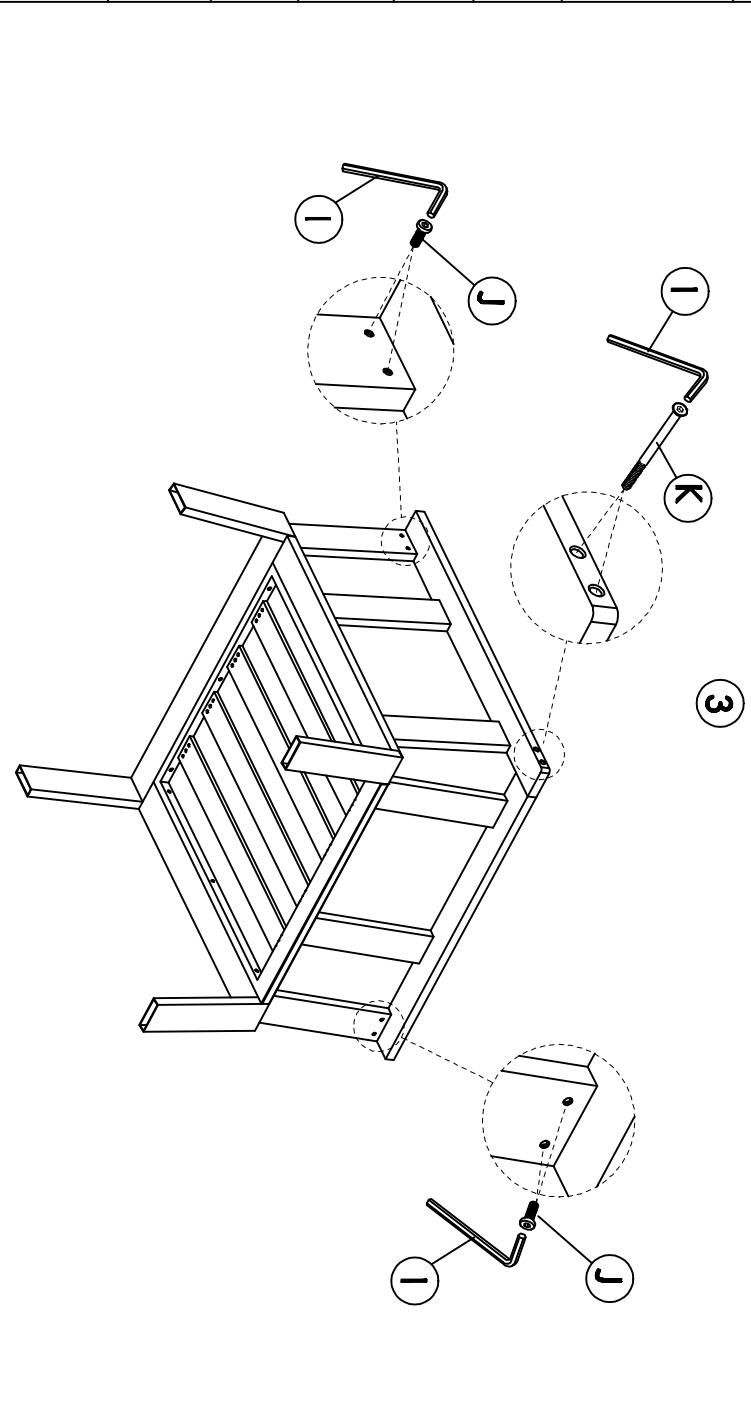
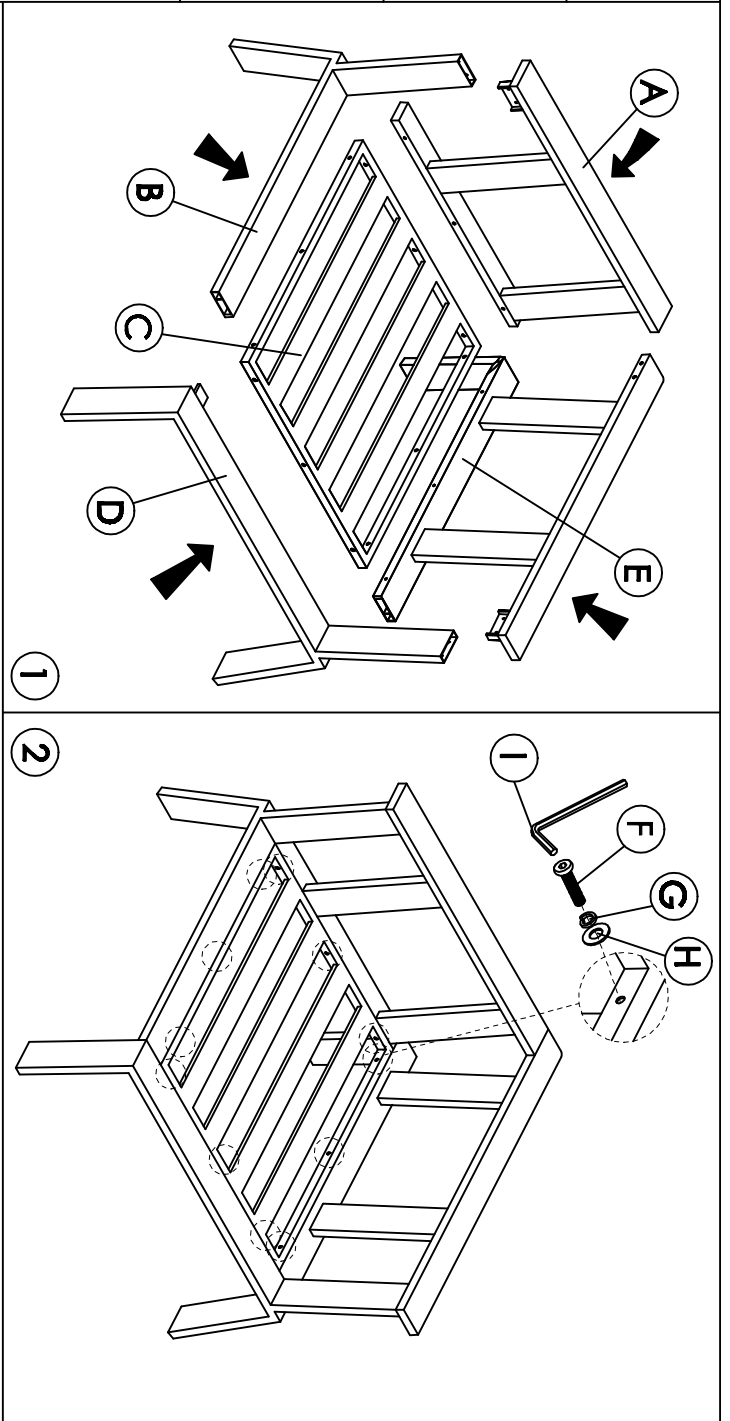


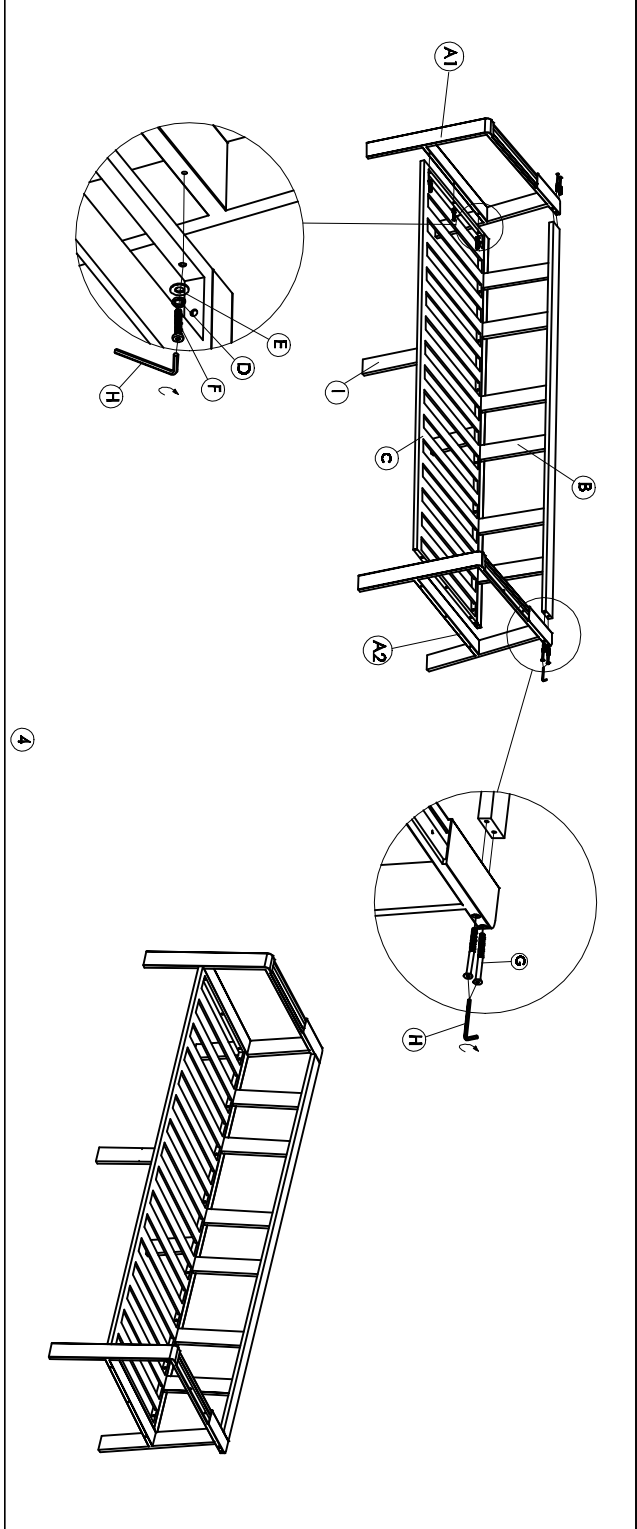
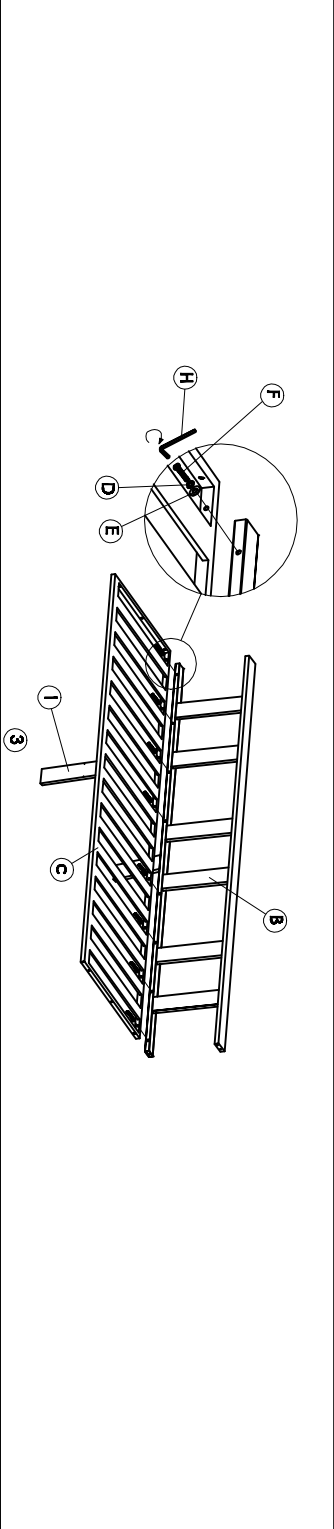
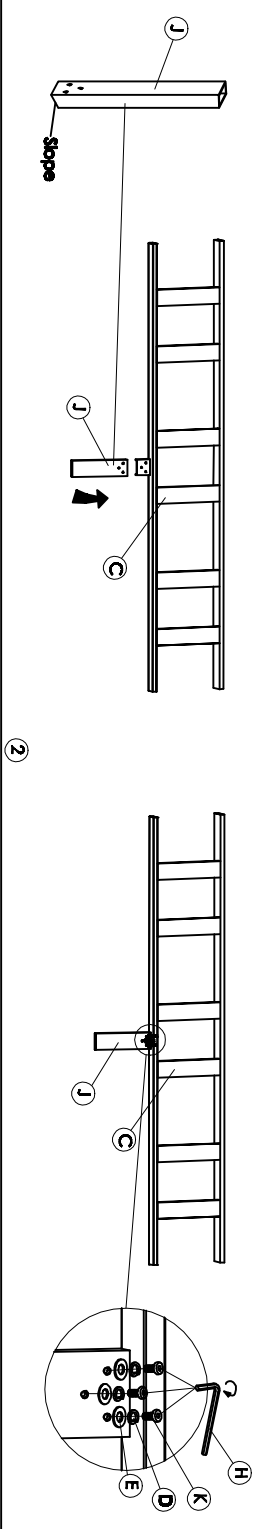
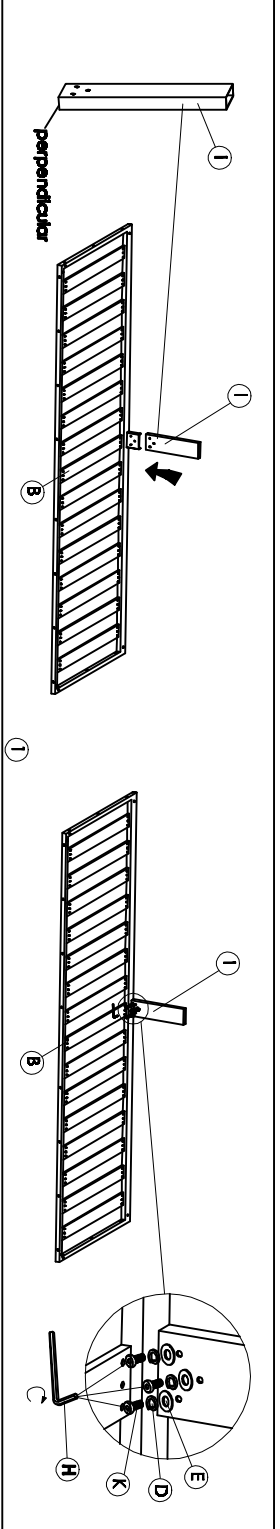
<b>A1</b>		<b>X1</b>
<b>A2</b>		<b>X1</b>
<b>B</b>		<b>X1</b>
<b>C</b>		<b>X1</b>
<b>D</b>	 <b>1/4</b>	<b>X9</b>
<b>E</b>	 <b>1/4</b>	<b>X9</b>
<b>F</b>	 <b>1/4*35</b>	<b>X9</b>
<b>G</b>	 <b>D11*90*1/4</b>	<b>X4</b>
<b>H</b>	 <b>1/4</b>	<b>X1</b>

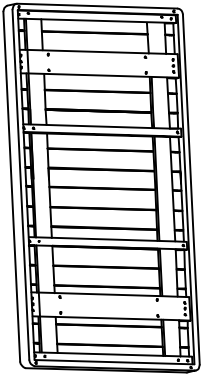

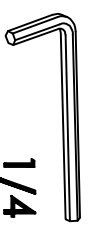





A		x1
B		x1
C		x1
D		x1
E		x1
F		x12
G		x12
H		x12
I		x1
J		x4
K		x2



A1		X1
A2		X1
B		X1
C		X1
D		X20
E		X20
F		X14
G		X4
H		X1
I		X1
J		X1
K		X6



A		x1
B		x2
C	 1/4	x1
D	 M8*40	x8
E	 M8	x8
F	 M8	x8

