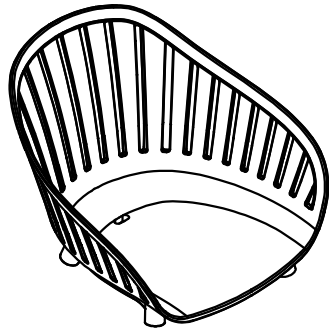
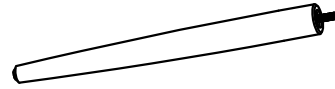


LCNACHMINT

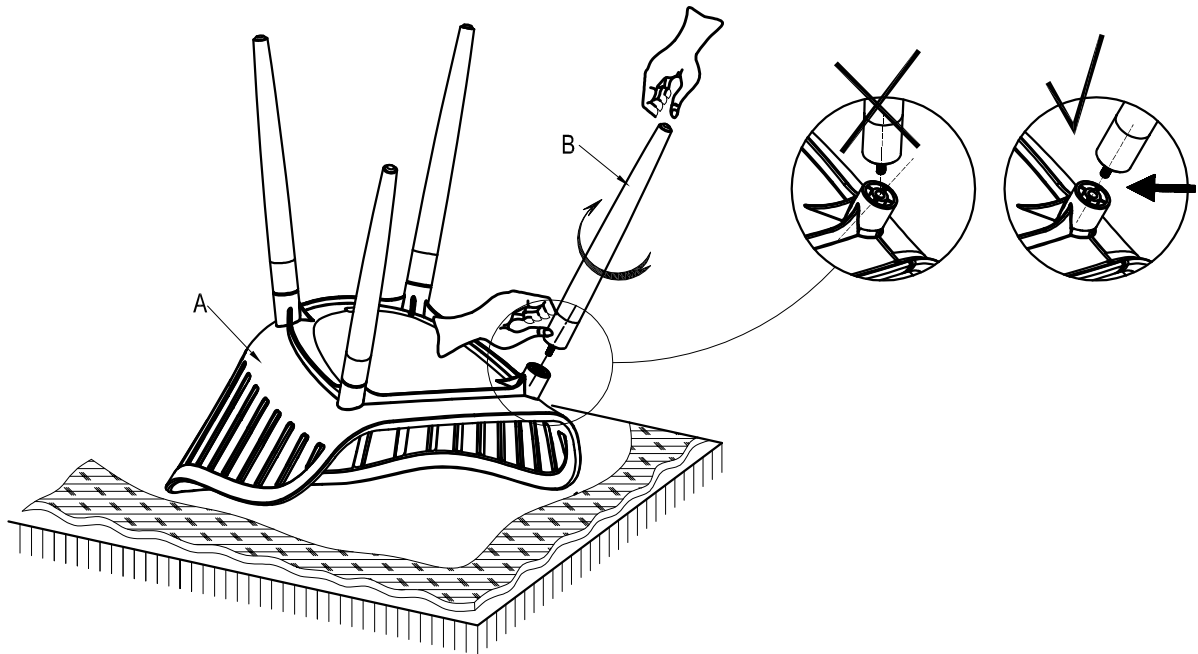


A: Seat x1



B: Leg x4

STEP 1



STEP 2

