
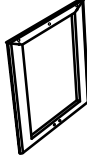
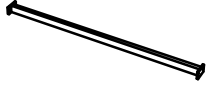




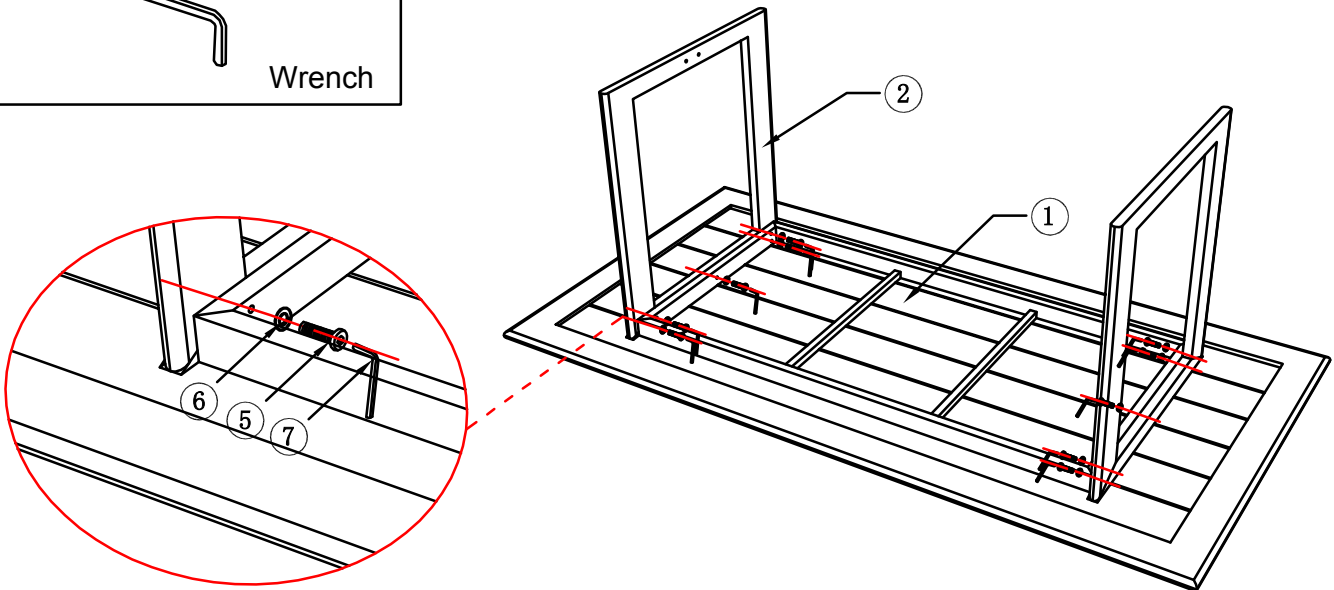


Product Assembly Instructions

Insert Factory Item # LCCCDISQBL

 <p>① X1 Table Top</p>	 <p>② X2 Table Leg</p>	 <p>③ X1 Kickstand</p>
 <p>④ X4 M6×20</p>	 <p>⑤ X10 M6×35</p>	 <p>⑥ X14 M6 spacer</p>
 <p>⑦ X1 Wrench</p>		



Step 1 : Turn the table over and place it on the ground where the exterior finish will not be scratched.

Step 2 : Align the screw holes of the table legs with the screw holes of the table top, insert flat washers(6) and screws(5) into each hole, once the screws are in place,tighten the screw until firmly attached with the wrench provided.

Step 3: Insert the flat washer (6) and screw (4) into each hole, and then install the Kickstand.

