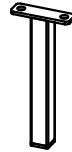
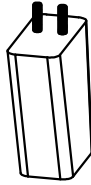
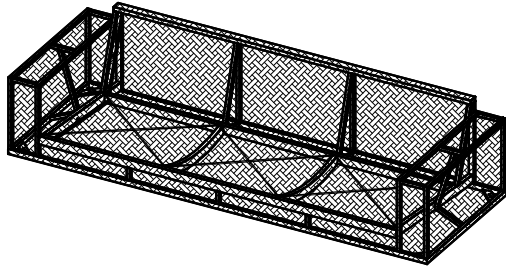


# Product Assembly Instructions

## LCBASOBR



D: Hex Nut x8



E: Washer x8



F: F-Bolt 6\*20 x2



G: Spanner x1



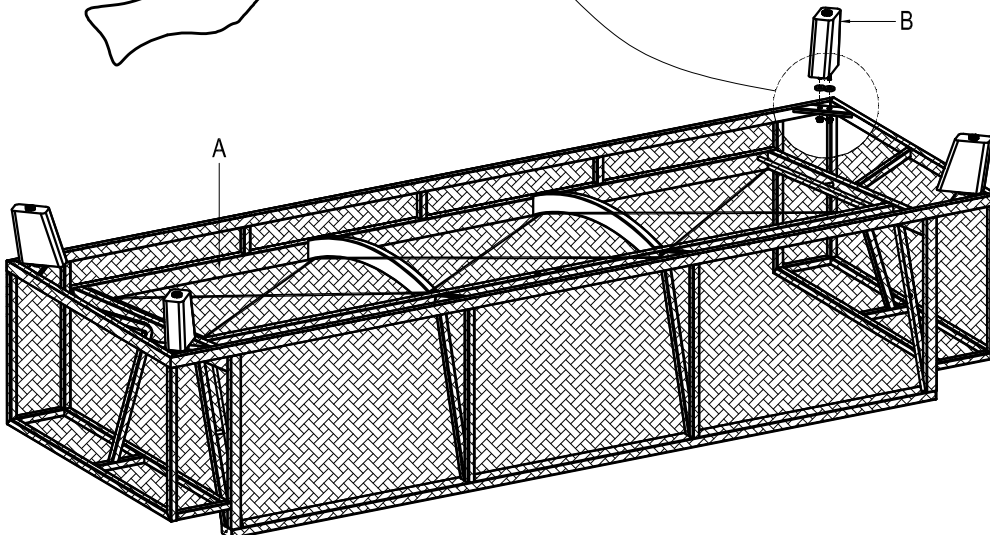
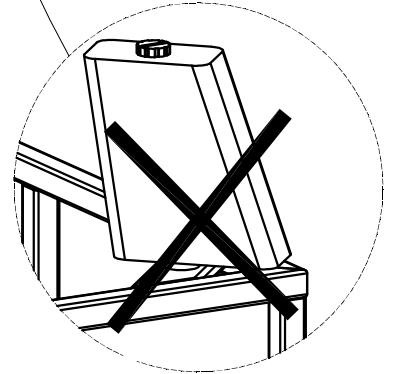
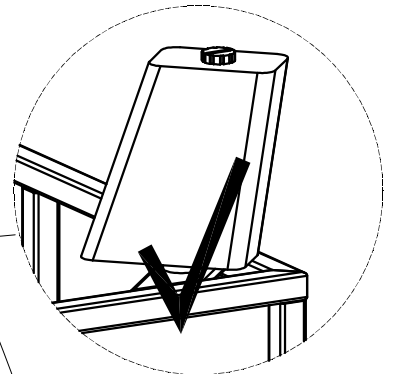
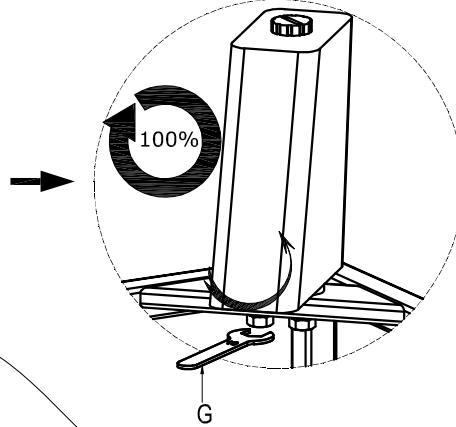
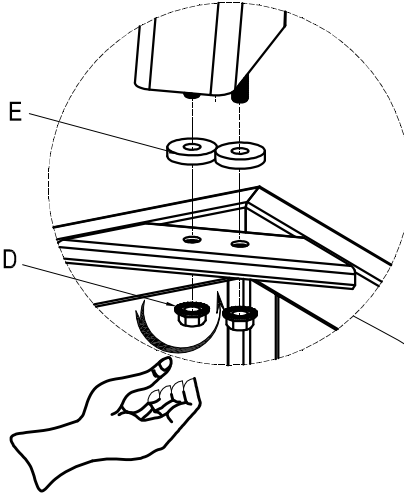
H: Allenkey x1

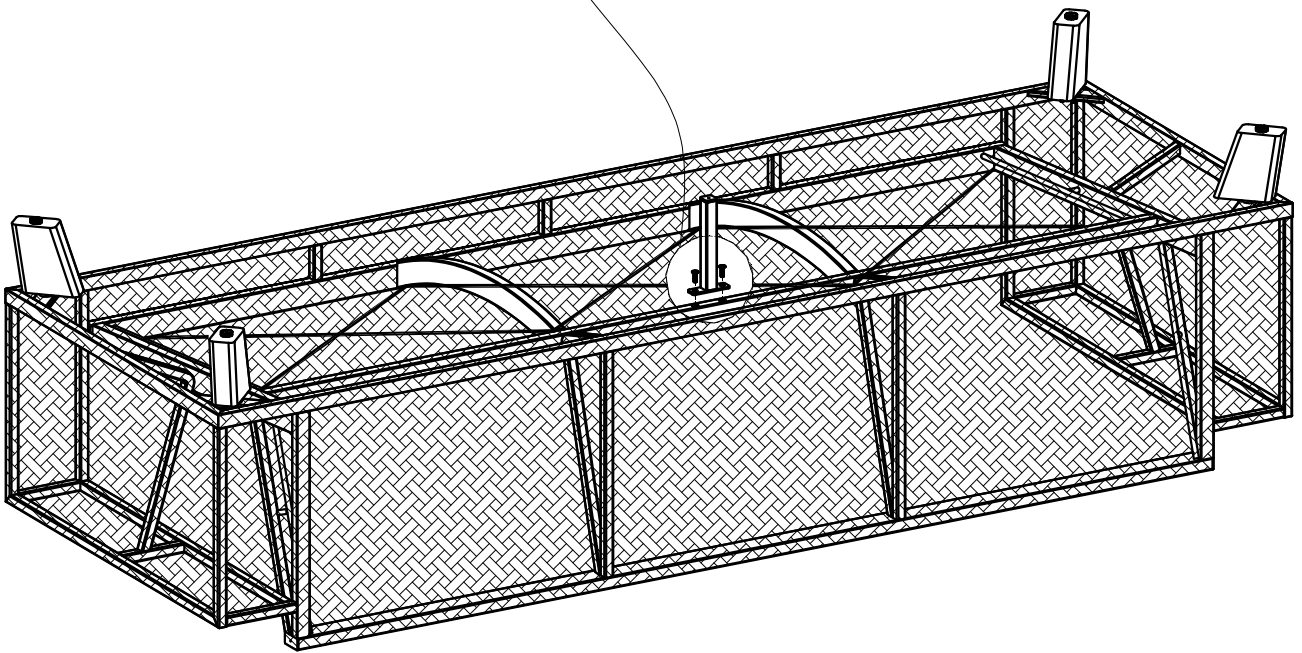
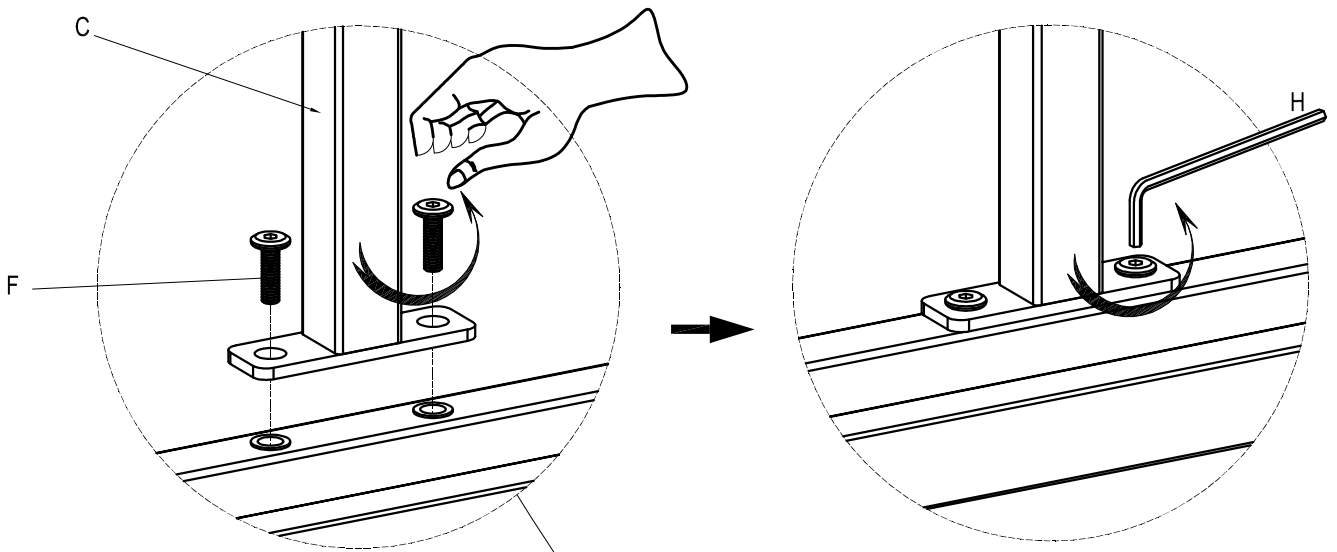
A: Main Frame x1

B: Leg x4

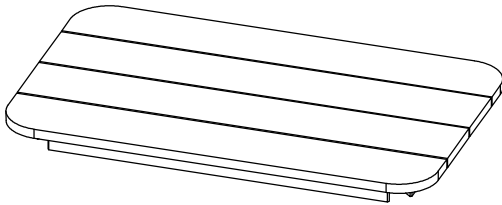
C: Leg x1

### STEP 1

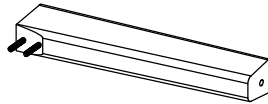




## LCBACOTK



A: Top x1



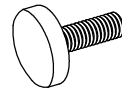
B: Leg x4



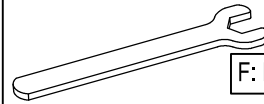
C: Spring Washer x8



D: Hexagonal nut x8

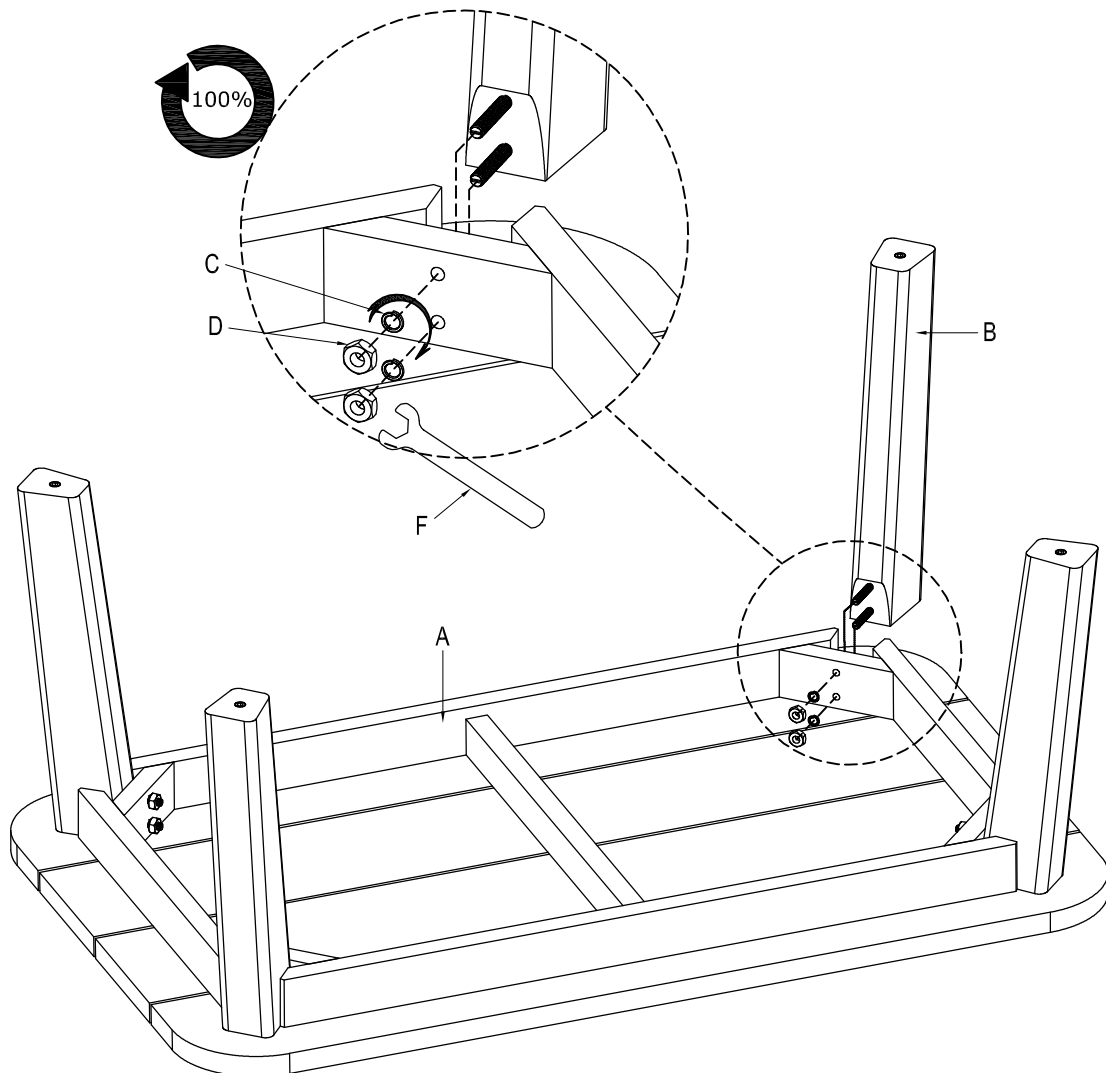


E: Table foot black x4

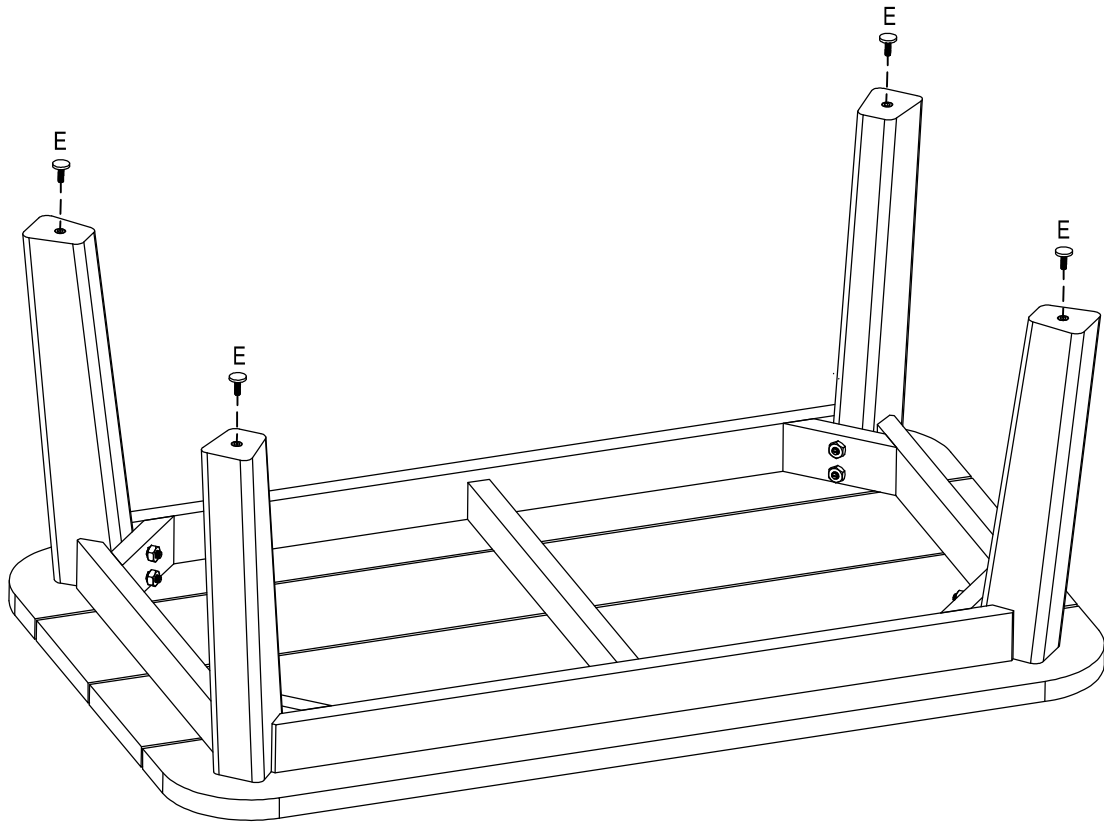


F: Hexagonal key x1

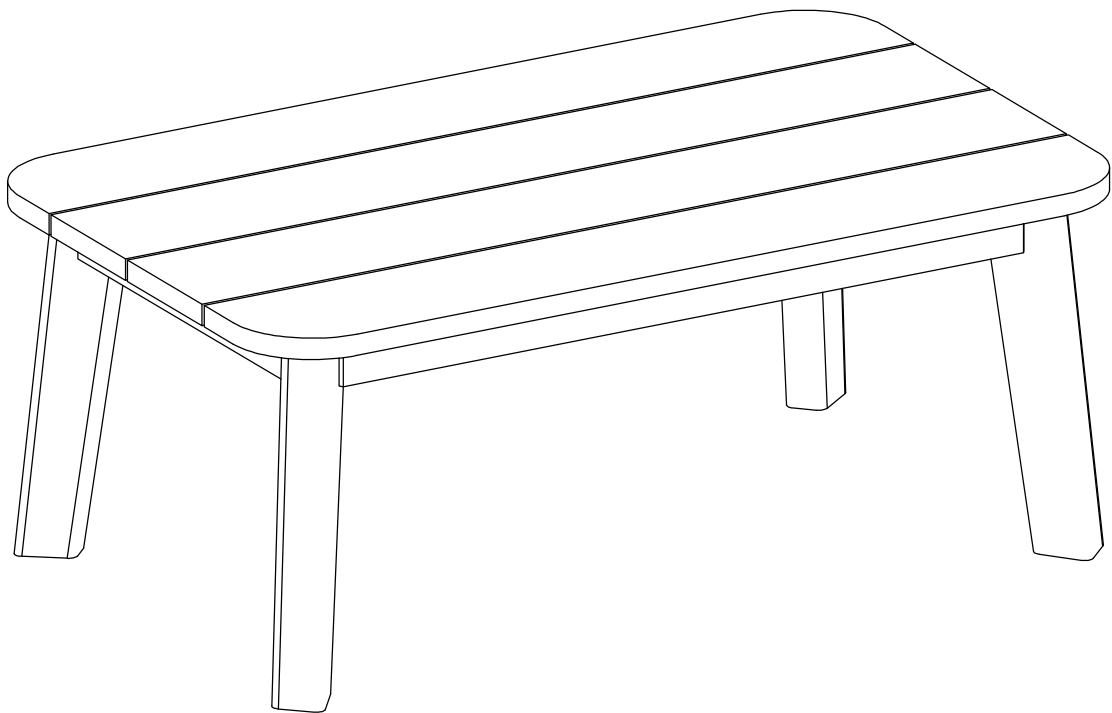
STEP 1



STEP 2

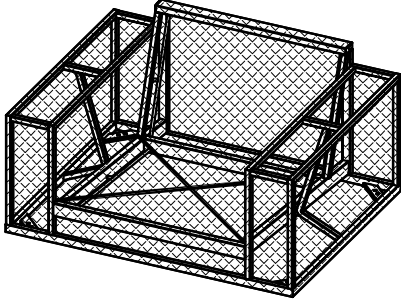


STEP 3

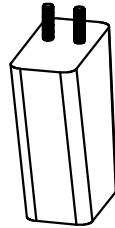


# Product Assembly Instructions

## LCBACHBR



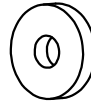
A: Main frame x1



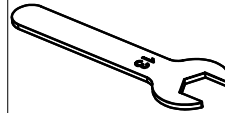
B: Leg x4



C: Hex Nut x8



D: Washer x8



E: Spanner x1

### STEP 1

