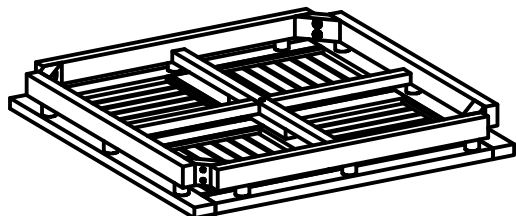


# Product Assembly Instructions

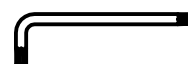
## LCARCOTK



C: F-Bolt M6\*40 x8



D: Foot x4

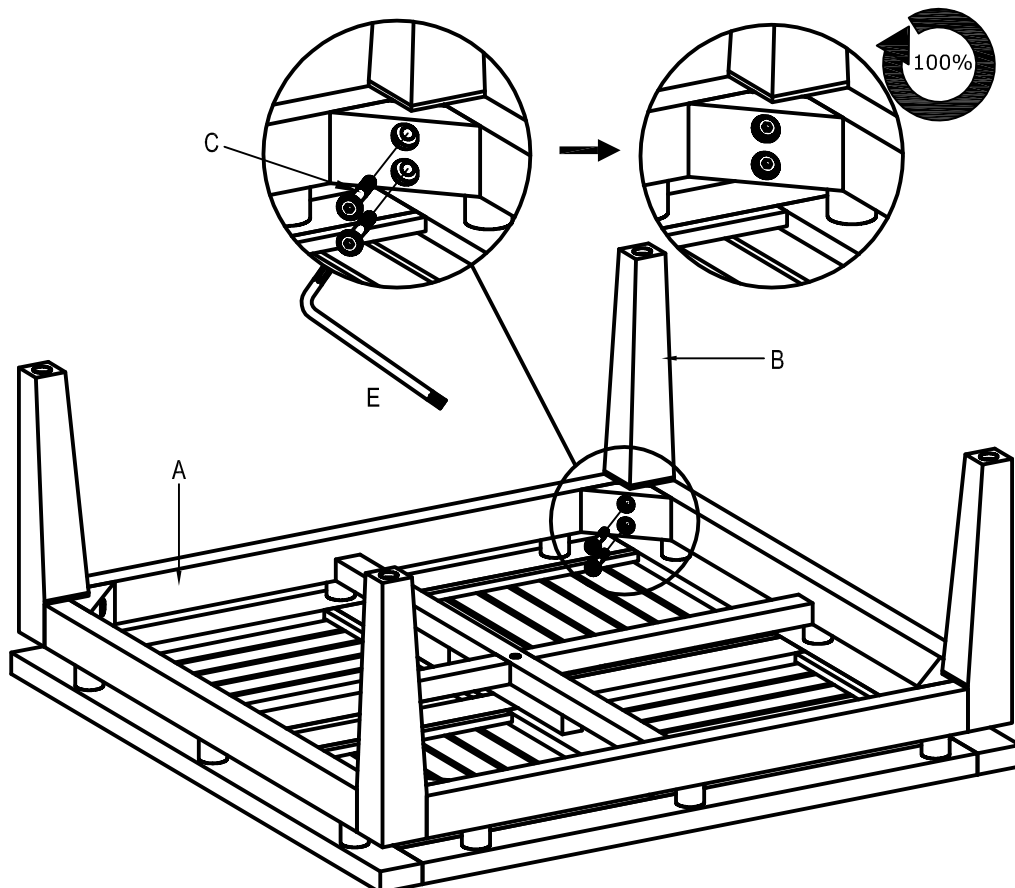


E: Torx key x1

A: Top x1

B: Leg x4

### STEP 1



STEP 2

