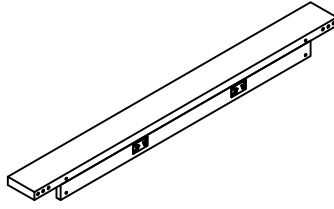
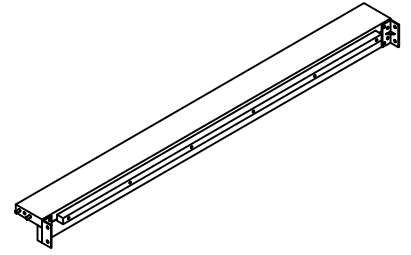


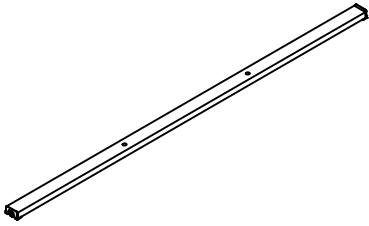
A: Headboard x 1



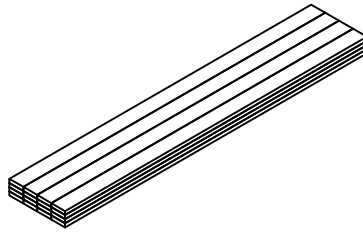
B: Footboard x 1



C: Side Panel x 2



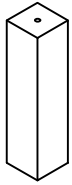
D: Middle bar x 2



E: Slats x 16



F: Leg x 2



G: Support Leg x 4



H: Bolt / M6*20 x 18



L: Bolt M6*35 x 4



P: Threaded Rod M8*70 x 2



I: Flat Washer / Ø19 x 24



M: Nuts M8 x 4



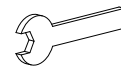
Q: Screw M4*30 x 8



J: Lock Washer / Ø12 x 24



N: Washer Semicircle x 4



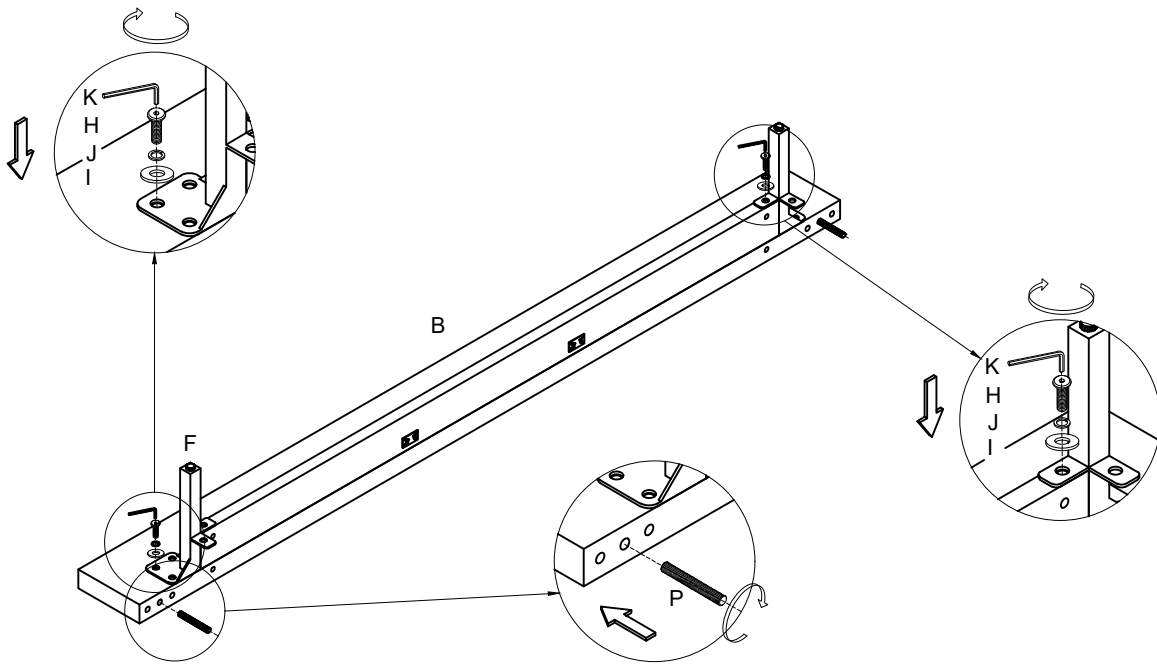
R: Wrench x 1



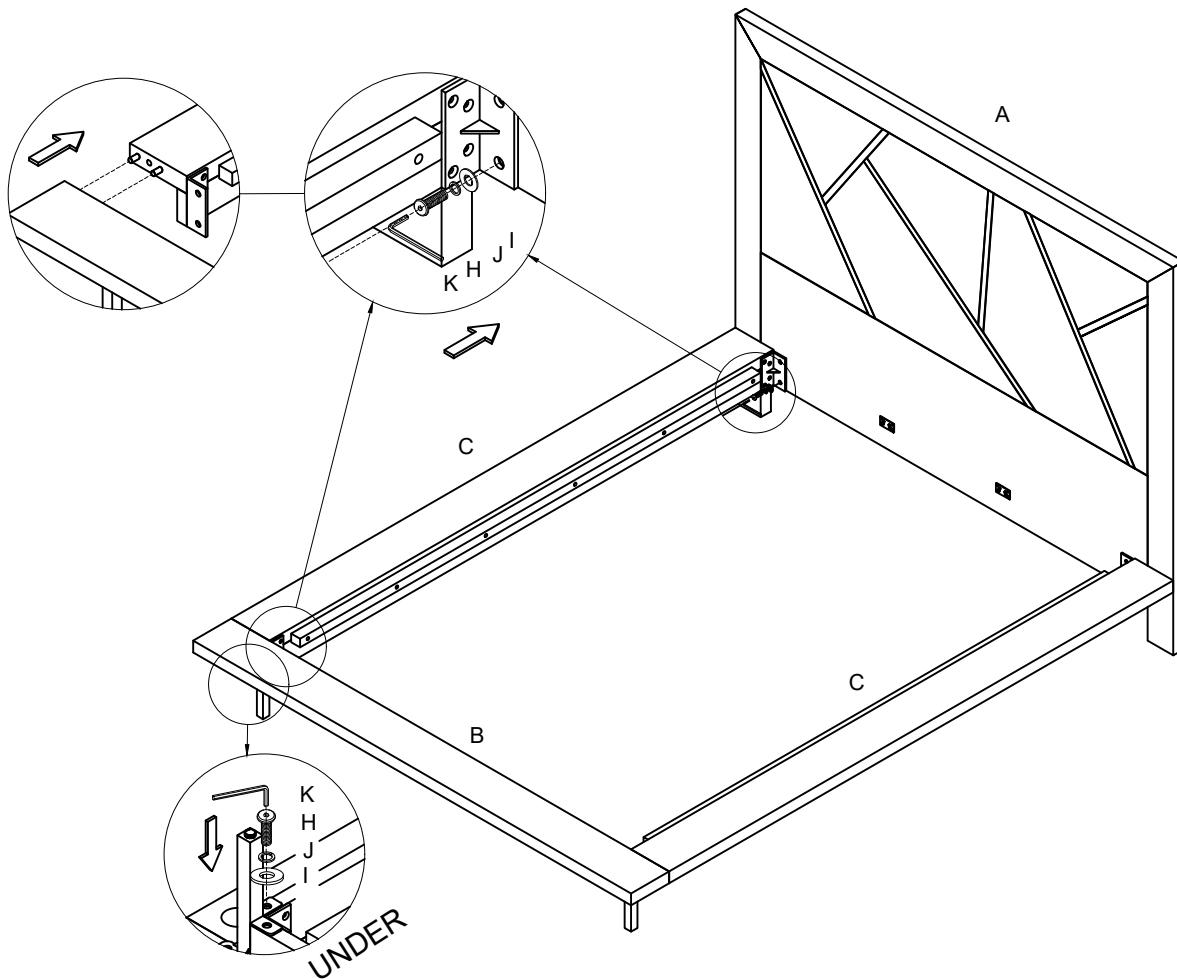
K: Allen wrench x 1



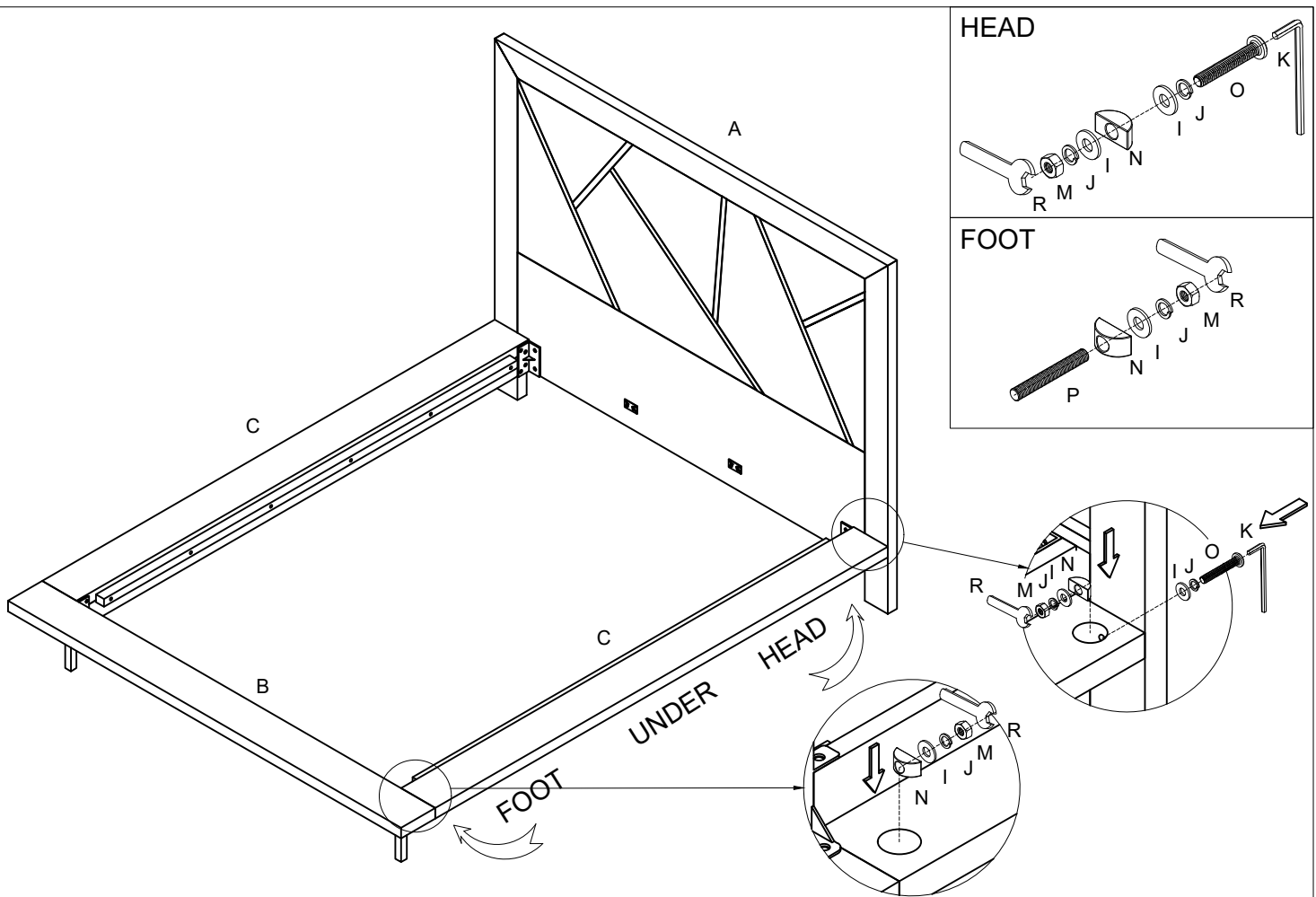
O: Bolt M8*90 x 2



Step 1 : Turn the Footboard (B) over and place it on the ground where the exterior finish will not be scratched. Align the screw holes on the Footboard(B) with the screw holes of Legs (F). Insert flat washers (I) lock washer (J) and bolt (H) into each hole. Once the screws are in place,tighten the screw until firmly attached with the allen-wrench (K) provided. Step 2: Insert Threaded Rod(P) into the middle hole of footboard(B), tighten the screw until firmly attached.

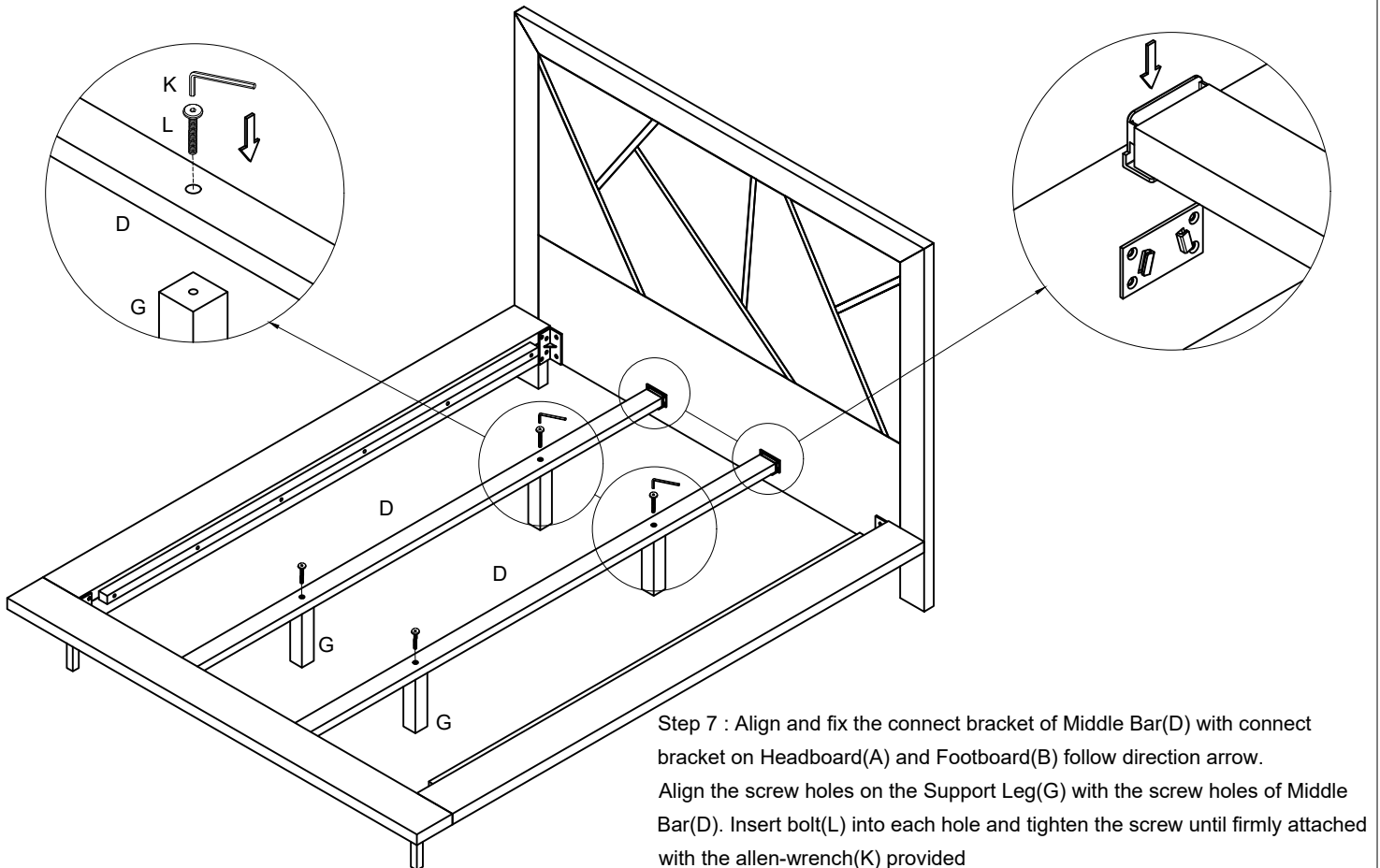


Step 3 : Align the screw holes on the Side panel(C) with the screw holes of Headboard(A) and Footboard(B). Insert flat washers (I) lock washer (J) and bolt (H) into each hole. Once the screws are in place, tighten the screw until firmly attached with the allen-wrench (K) provided. Step 4: Under footboard(B), insert flat washers (I) lock washer (J) and bolt (H) into each hole and tighten the screw until firmly attached with the allen-wrench(K) provided.

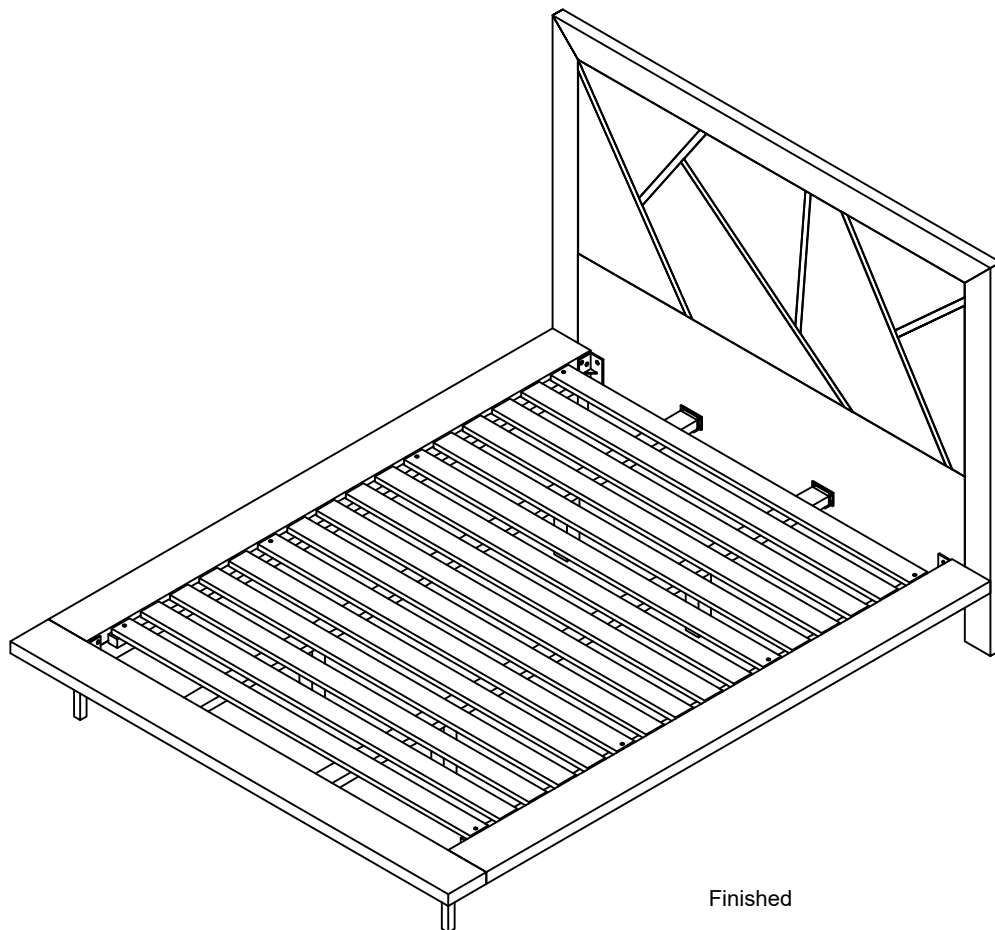
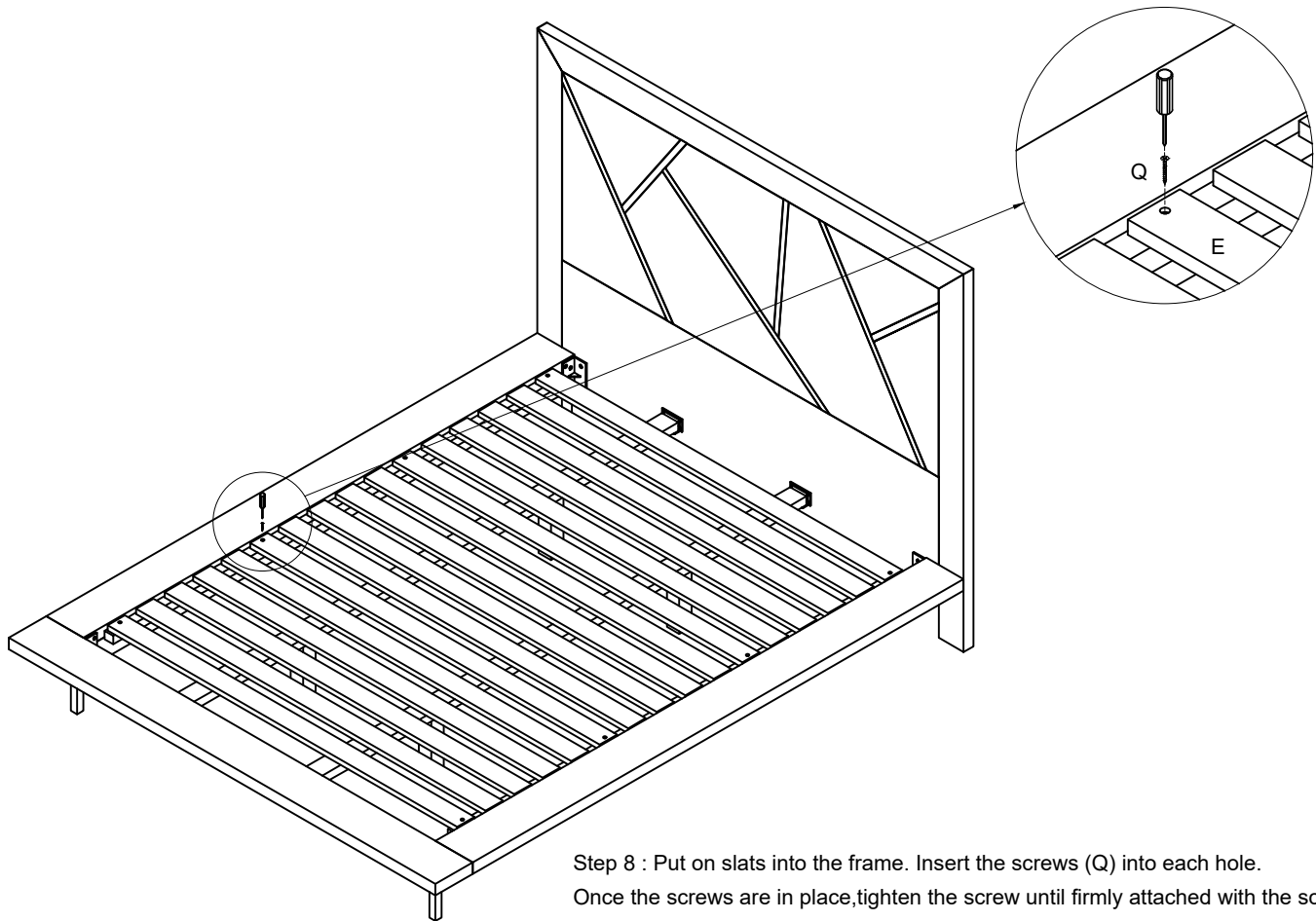


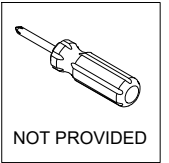
Step 5 : Under position connect Footboard(B) with Side Panel(C). Insert Semicircle Washer(N), Flat Washer(I), Lock Washer(J), Nut(M) with Threaded Rod(P). Tighten the screw until firmly attached with the wrench(R) provided.

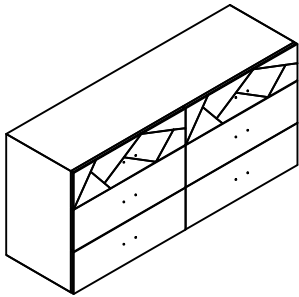
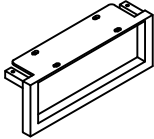










Step 6 : Under position connect Headboard(A) with Side Panel(C). Insert Semicircle Washer(N), Flat Washer(I), Lock Washer(J), Nut(M) with Flat Washer(I), Lock Washer(J) and Bolt(O). Tighten the screw until firmly attached with the allen-wrench(K) provided.



Step 7 : Align and fix the connect bracket of Middle Bar(D) with connect bracket on Headboard(A) and Footboard(B) follow direction arrow. Align the screw holes on the Support Leg(G) with the screw holes of Middle Bar(D). Insert bolt(L) into each hole and tighten the screw until firmly attached with the allen-wrench(K) provided





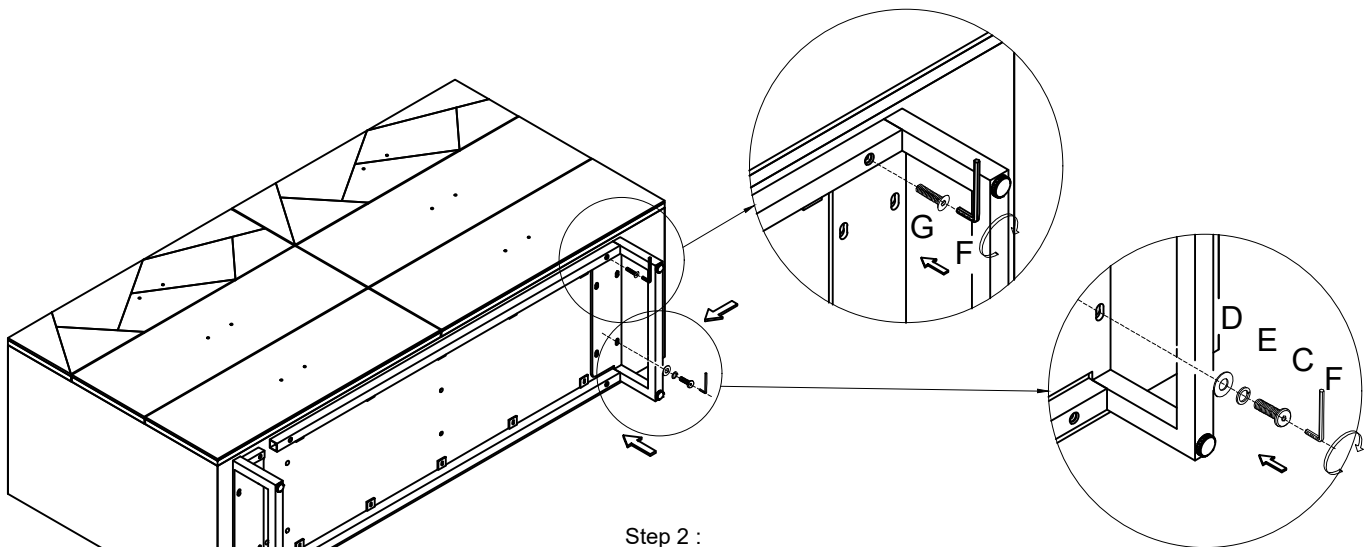
 <p>A: Chest x 1</p>	 <p>B: Leg x 2</p>	 C: Bolt / M8*20 x 8	 H: Insert nut x 4
		 D: Flat Washer / Ø19 x 8	 I: Screw M4*20 x 4
		 E: Lock Washer / Ø12 x 8	 J: Screw M4*40 x 4
		 F: Allenkey V4 x 1	 K: Anti - flip A x 4
		 G: Bolt / M6*15 x 4	 L: Anti - flip B x 2

Step 1 : Turn the chest over (A) and place it on the ground where the exterior finish will not be scratched.

Align the screw holes of the legs (B) with the screw holes of the cross bar.

Insert bolt (G) into each hole,

Once the screws are in place, tighten the screw until firmly attached with the allen-wrench (F) provided.

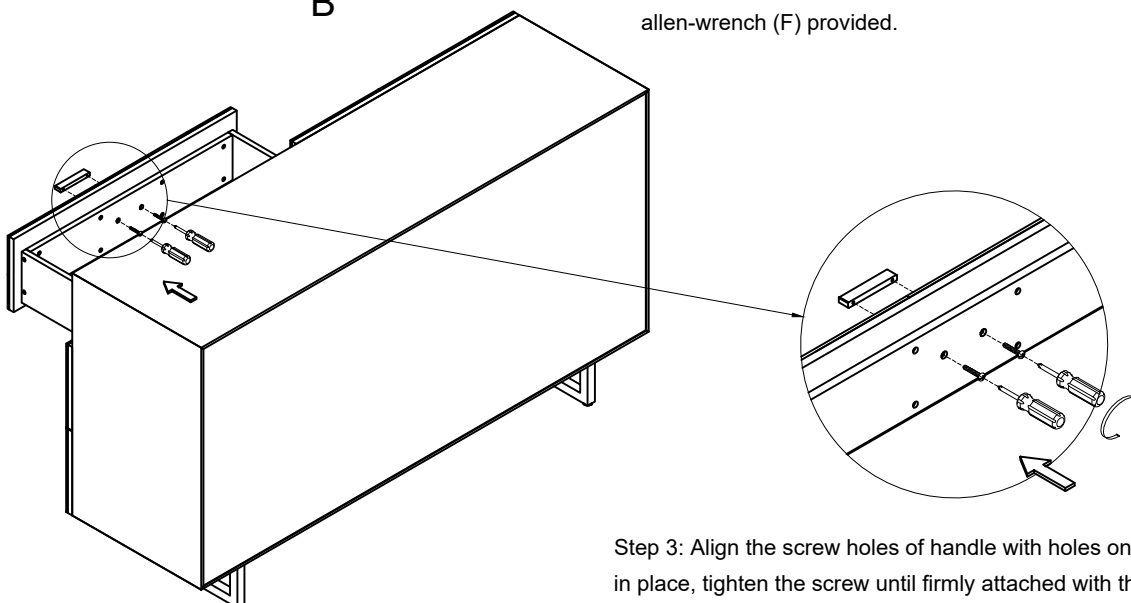


Step 2 :





Align the screw holes of the legs (B) with the screw holes of the bottom Chest(A).

Insert flat washers (D) lock washer (E) and bolt (C) into each hole,

Once the screws are in place, tighten the screw until firmly attached with the allen-wrench (F) provided.

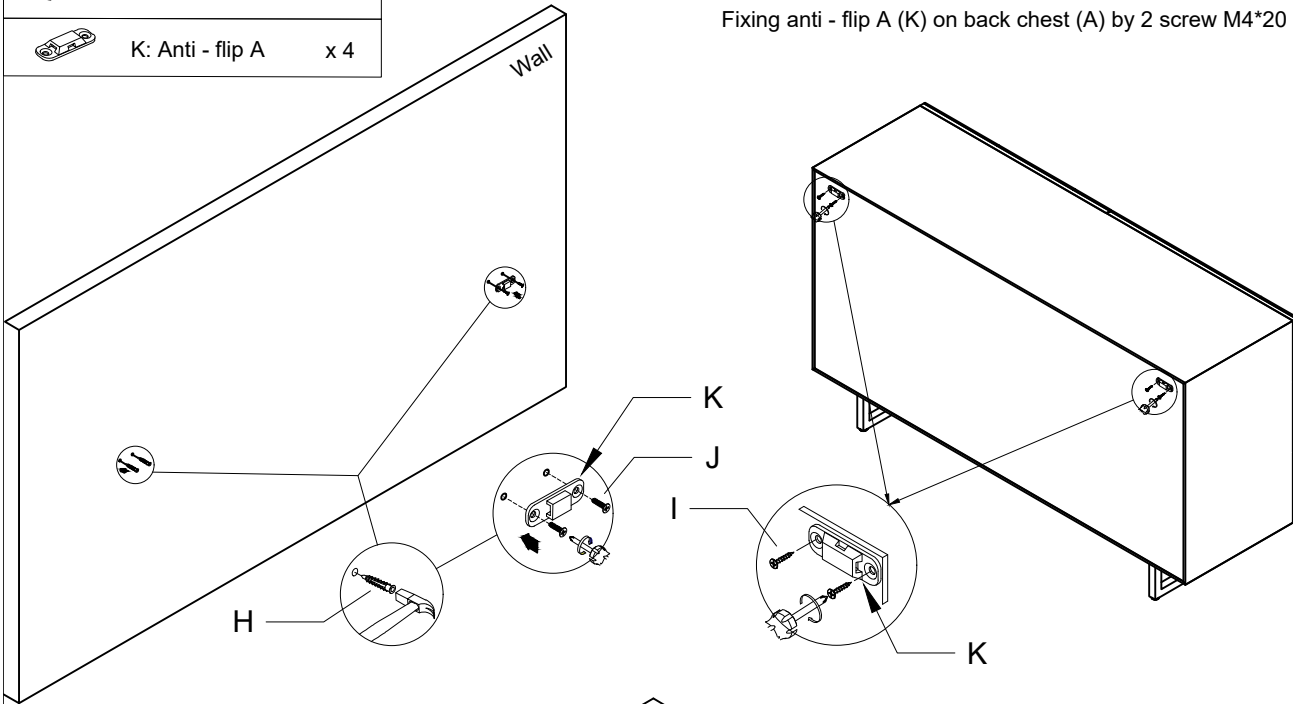



Step 3: Align the screw holes of handle with holes on face of drawer, insert bolt are in place, tighten the screw until firmly attached with the screwdriver.

	H: Plastic anchor	x 4
	I: Screw M4*20	x 4
	J: Screw M4*40	x 4
	K: Anti - flip A	x 4

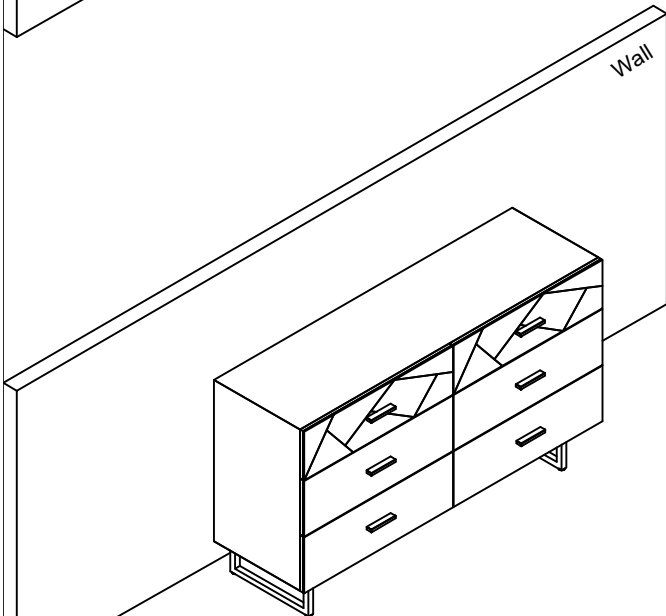
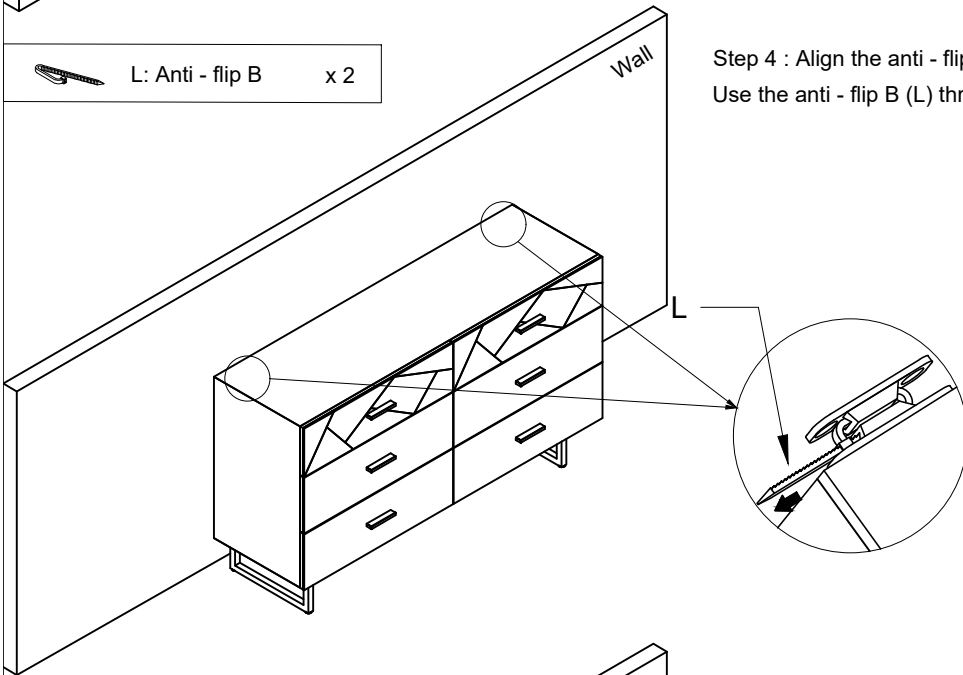
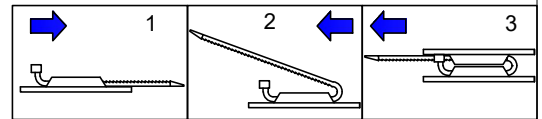
Step 3 : Making drill holes on the wall and insert plastic anchor (H) at this hole.
 Fixing anti - flip A (K) by 2 screw M4*40 (J) with screwdriver.
 Once the screws are in place,tighten the screw until firmly attached.

Fixing anti - flip A (K) on back chest (A) by 2 screw M4*20 (I) with screwdriver.

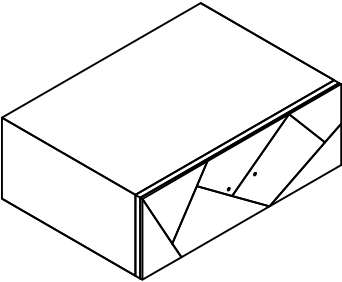
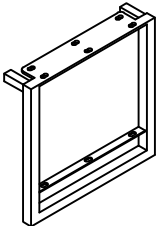
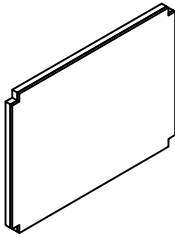














	L: Anti - flip B	x 2
--	------------------	-----

Step 4 : Align the anti - flip A (K) on the wall with the anti - flip A (K) on the chest
 Use the anti - flip B (L) through 2 anti - flip A to fix.



Finished

 <p>A: Chest x 1</p>	 <p>B: Leg x 2</p>	 <p>C: Shelf x 1</p>	<table border="1"> <tr> <td data-bbox="1082 293 1134 327"></td> <td data-bbox="1203 300 1358 327">D: Bolt / M8*20</td> <td data-bbox="1469 300 1517 327">x 18</td> </tr> <tr> <td data-bbox="1082 383 1110 416"></td> <td data-bbox="1203 389 1422 416">E: Flat Washer / Ø19</td> <td data-bbox="1469 389 1517 416">x 18</td> </tr> <tr> <td data-bbox="1082 472 1110 506"></td> <td data-bbox="1203 479 1422 506">F: Lock Washer / Ø12</td> <td data-bbox="1469 479 1517 506">x 18</td> </tr> <tr> <td data-bbox="1059 562 1134 595"></td> <td data-bbox="1203 568 1353 595">G: Allenkey V4</td> <td data-bbox="1469 568 1501 595">x 1</td> </tr> </table>		D: Bolt / M8*20	x 18		E: Flat Washer / Ø19	x 18		F: Lock Washer / Ø12	x 18		G: Allenkey V4	x 1
	D: Bolt / M8*20	x 18													
	E: Flat Washer / Ø19	x 18													
	F: Lock Washer / Ø12	x 18													
	G: Allenkey V4	x 1													

