
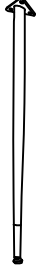
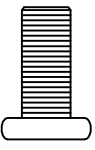

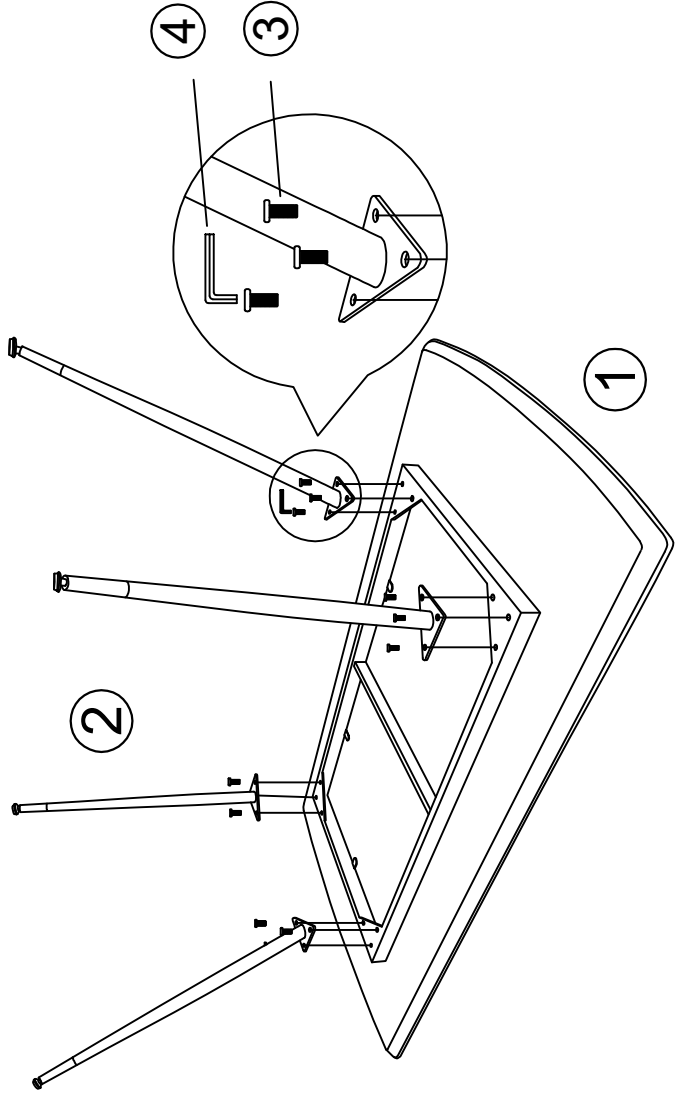
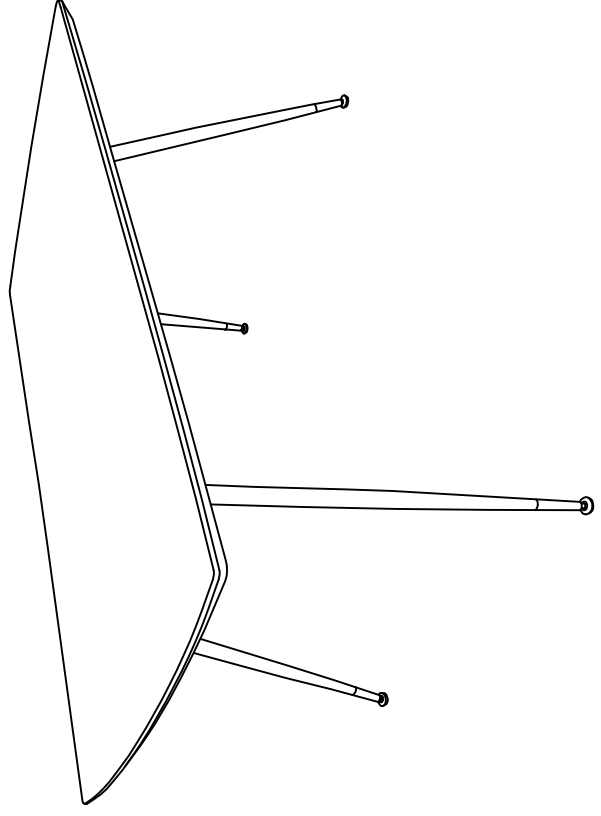



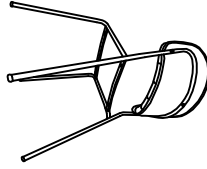
		Instaling		Accessories		Tool	
ITEM:	 SEAT 1	 FRAME 4	③		④		
			SCREW		ALLENKEY		
							
			Size M6*16		Size $\phi 5$		
			12		1		

Step:1

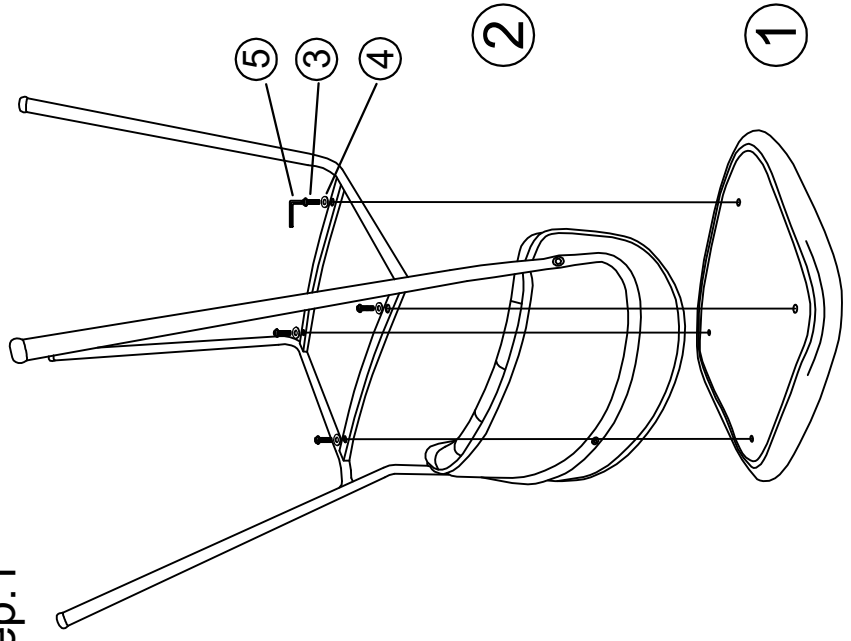


Step:2



		Instaling		Accessories			Tool	
ITEM:	①		②		③	SCREW	④	⑤
	Carlo-0139003	SEAT	FRAME	GASKET	ALLENKEY			
Pcs	1	1	1					
				Size	M6*20	φ 16*1*φ7	Size	φ5
					4	4		1

Step:1



Step:2

