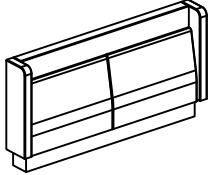

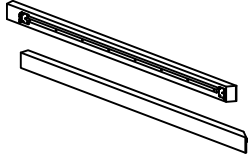
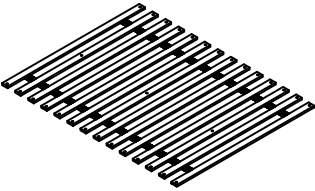
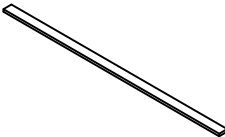
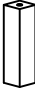




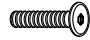




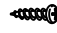




Product Assembly Instructions
LCLEBDCHKGBX1 / LCLEBDCHKGBX2

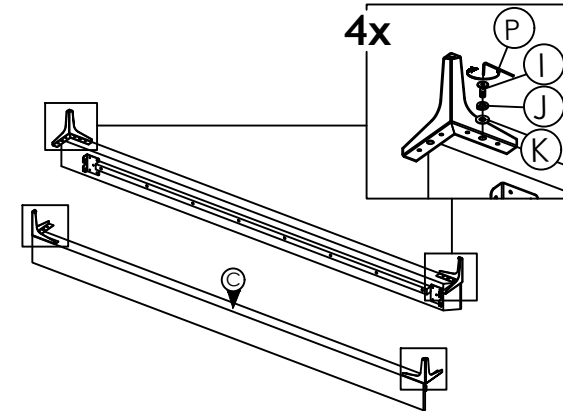
PART LIST

 <p>A: HEADBOARD x1</p>	 <p>B: FOOTBOARD x1</p>	 <p>C: SIDE RAIL (L & R) x2</p>
 <p>D: SLAT x14</p>	 <p>E: CENTER SLAT x1</p>	 <p>F: CENTER SLAT SUPPORT x3</p>

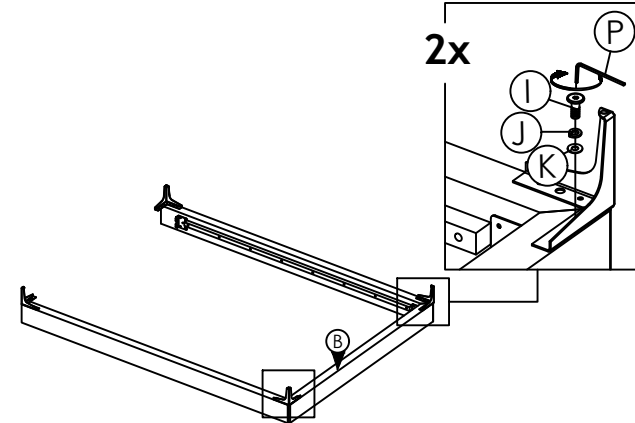
HARDWARE LIST

 <p>G: JCBB SCREW M8 x 16MM x8</p>	 <p>H: ALLEN KEY M5 (SHORT) x1</p>	 <p>I: JCBC SCREW M6 x 20MM (BLK) x8</p>
 <p>J: SPRING WASHER 1/4" (BLK) x8</p>	 <p>K: FLAT WASHER 1/4" (BLK) x8</p>	 <p>L: JCBC SCREW M6 x 50MM x3</p>
 <p>M: SPRING WASHER 1/4" x3</p>	 <p>N: PAN HEAD SCREW M4 x 25MM x28</p>	 <p>O: ADJUSTABLE SCREW x3</p>
 <p>P: ALLEN KEY M4 (BALL SHAPE) x1</p>		

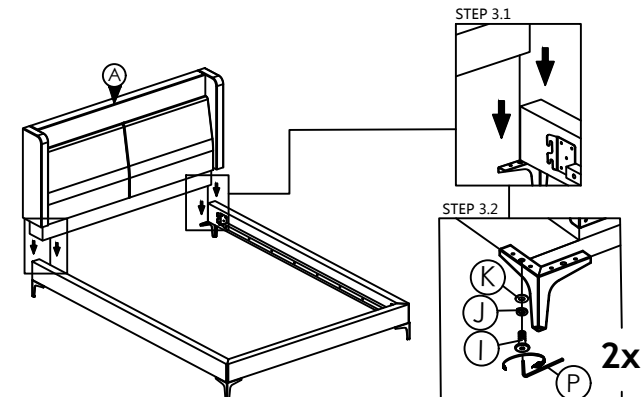
STEP 1



STEP 2



STEP 3

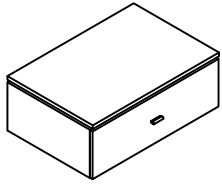




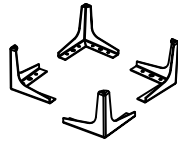
Product Assembly Instructions

LCLELABL

PART LIST



A : NIGHT STAND x1



B : METAL LEG x4

HARDWARE LIST



C : JCBC SCREW M6 x 20MM(BLK) x8



D : SPRING WASHER 1/4"(BLK) x8

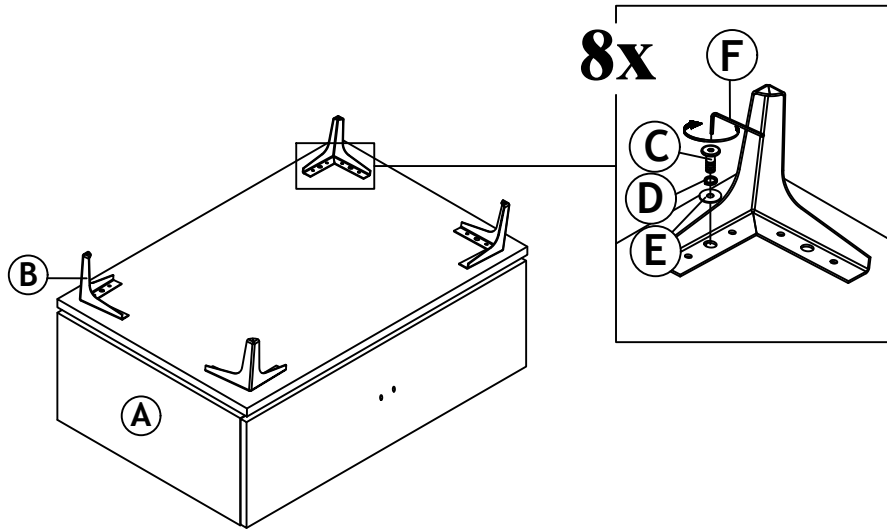


E : FLAT WASHER 1/4"(BLK) x8

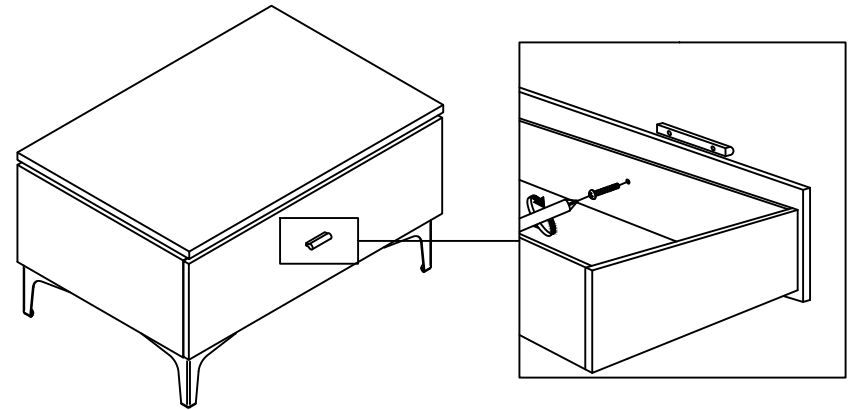


F : ALLEN KEY M4 (BALL SHAPE) x1

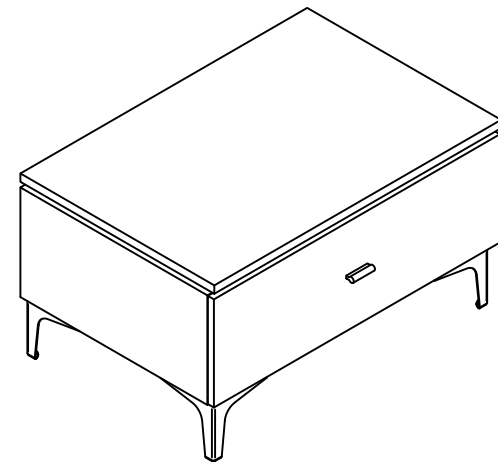
STEP 1



STEP 2



STEP 3



ASSEMBLY COMPLETED