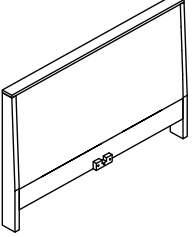
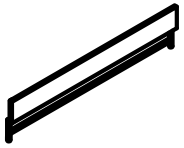
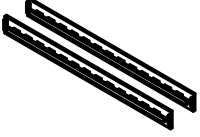

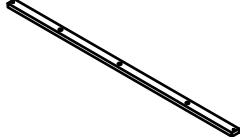



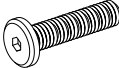



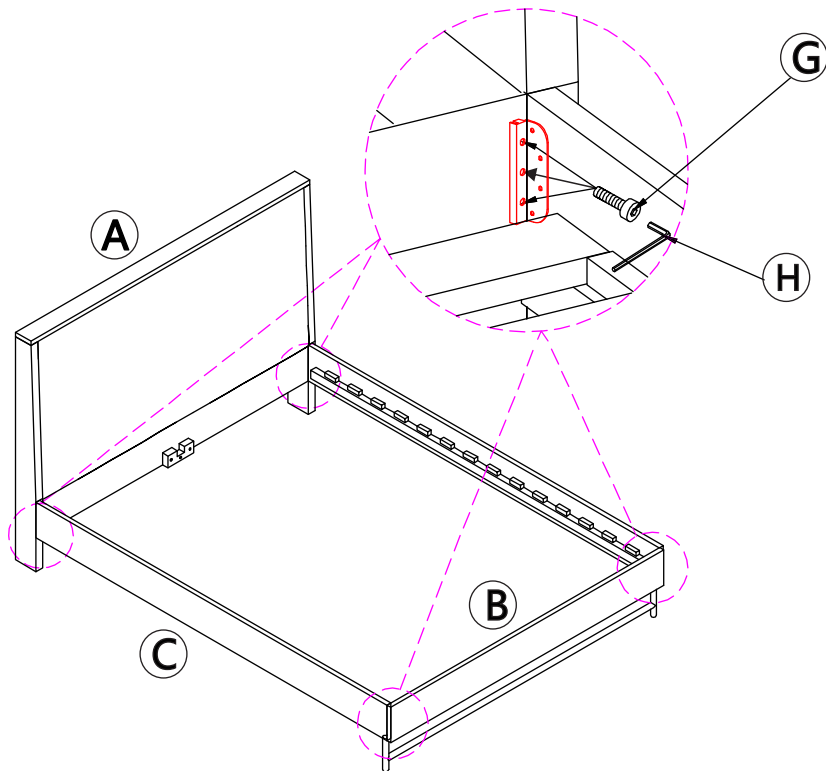


# Product Assembly Instructions

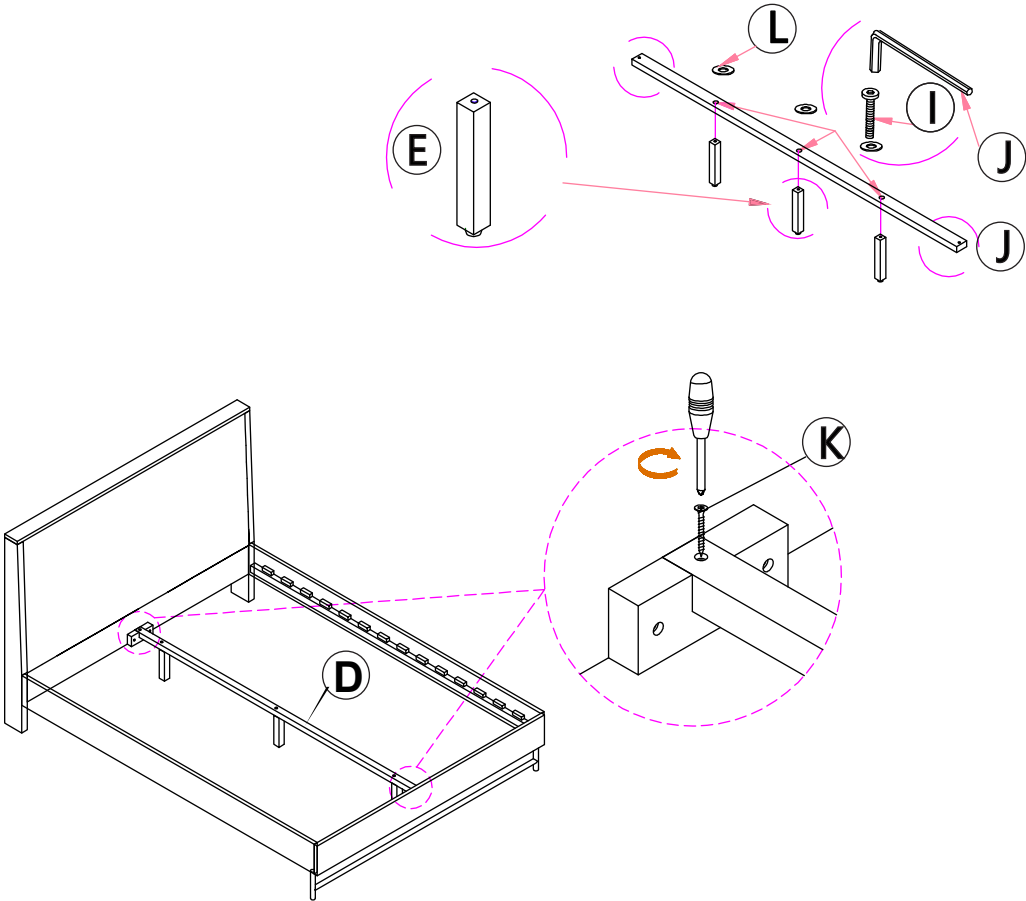
## BUSH-KB202

|  |  |  |   |
|--|--|--|---|
|  <p><b>A: Headboard</b> x1</p>  |  <p><b>B: Footboard</b> x1</p>  |  <p><b>C: Side Rall (L+R)</b> x2</p> |  <p><b>G: Bolt M6*10mm</b> x12</p> |
|  <p><b>D: Middle Rall</b> x1</p> |  <p><b>E: Center Leg</b> x3</p> |  <p><b>F: Slat Frame</b> x15</p>     |  <p><b>H: Allen key M5</b> x1</p>  |
|  |  |  |  <p><b>I: M6*60mm</b> x3</p>       |
|  |  |  |  <p><b>J: Allen key M4</b> x1</p>  |
|  |  |  |  <p><b>K: Screw M4*30mmx32</b></p> |
|  |  |  |  <p><b>L: Washer</b> x3</p>        |

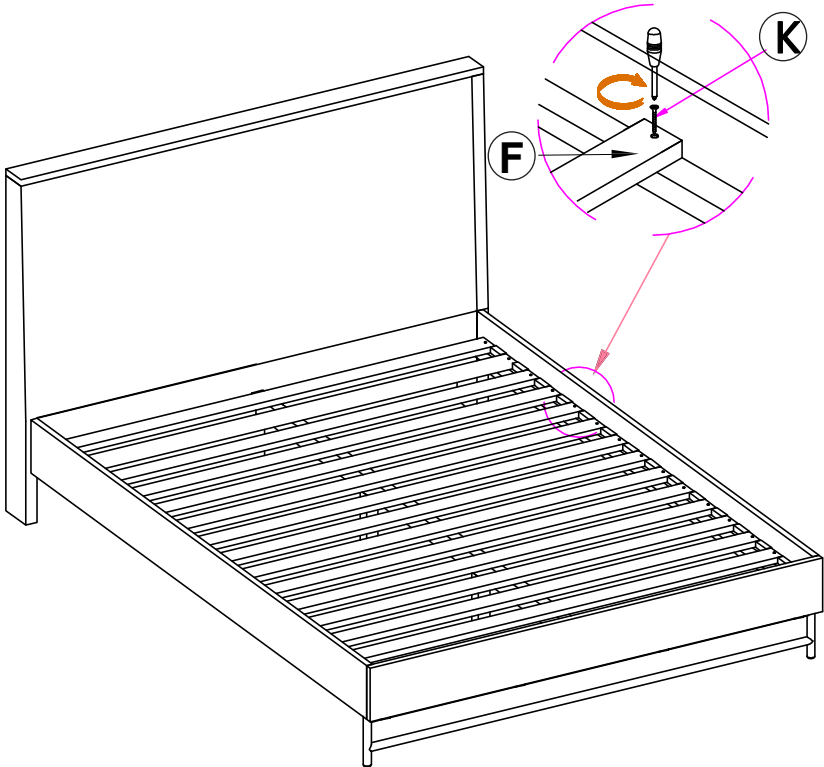
### STEP 1



# STEP 2

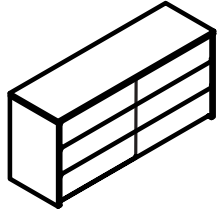


# STEP 3

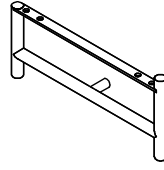


# Product Assembly Instructions

## BUSH-SB 145



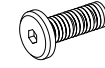
A: Chest x1



B: Left Leg x1



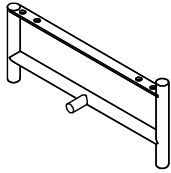
E: Washer x8



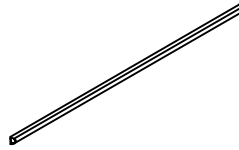
F: Bolt M6\*25mm x8



G: Allen key x1



C: Right Leg x1



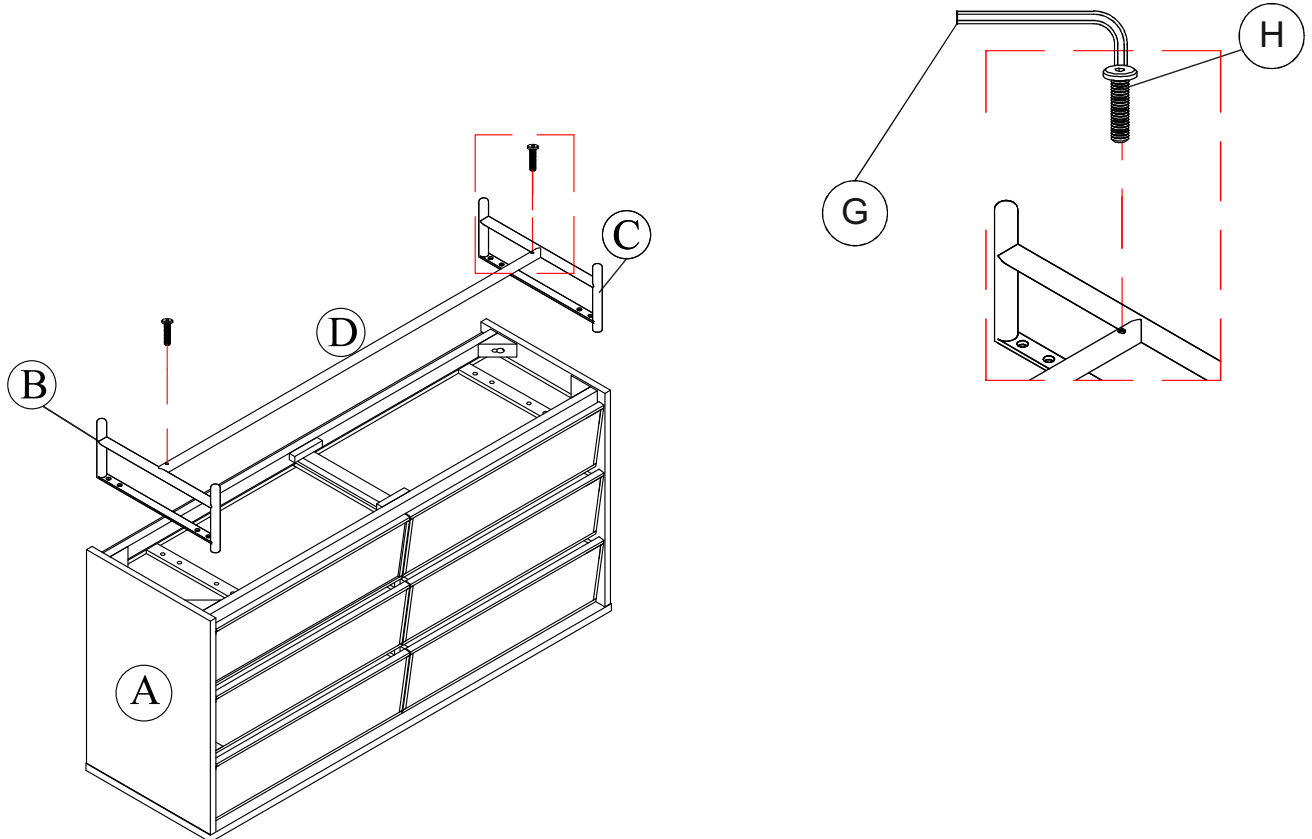
D: Bracing Between x1



H: Bolt M6\*15mm x2

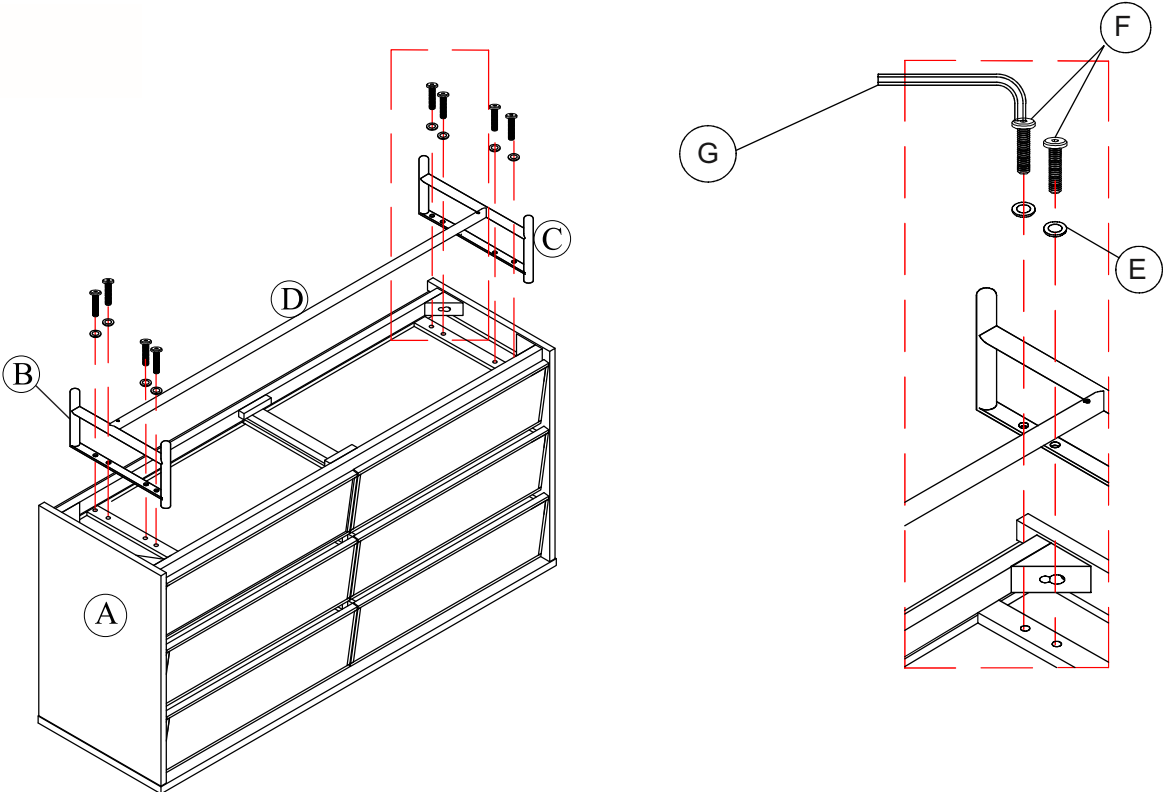
### STEP 1

Please, untight the bolts out about 1/4" for rails

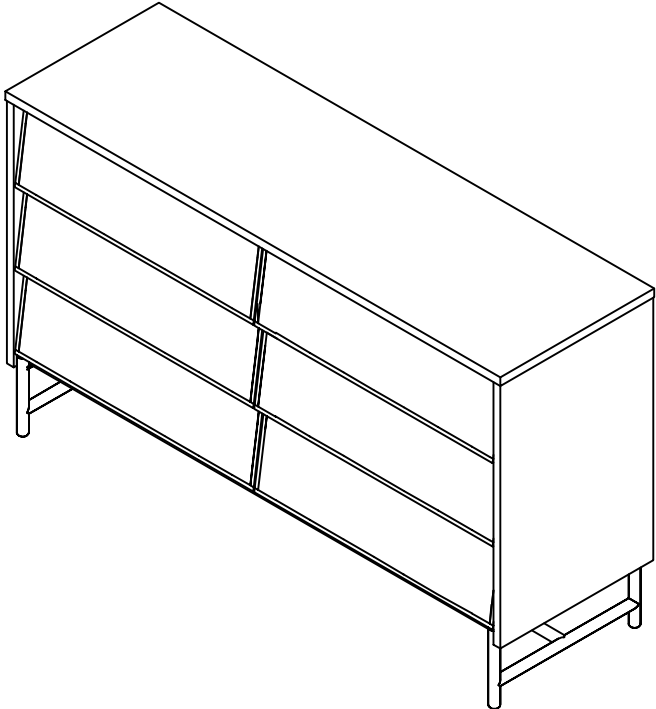


# STEP 2

Put and tighten the bolts on the right position.



# STEP 3



# INSTALL ANTI-TIP FURNITURE SAFETY BRACKET

**!!! WARNING ! PREVENT INJURY!!**

1. Find wall stud to attach bracket (A) vertically. First, place a bracket (A) at the suitable position. Before attaching plastic anchor (B) into the holes, mark and drill a hole through the stud by using 1/4" drill bit. Then attach the bracket (A) to the stud with the long screw.
2. As show below, attach bracket (A) horizontally to center of furniture back ( direct below top) with the short screw (E).
3. Move the furniture to its final position. After threading the strap © through the bracket as shown, tighten until snug. Do not overtighten.

