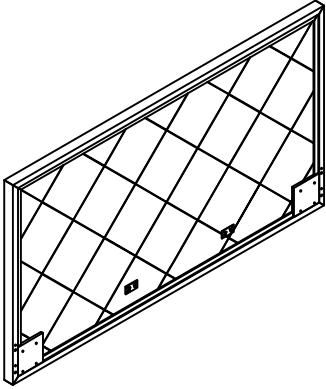
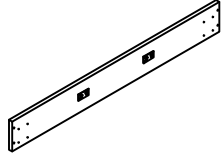
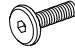



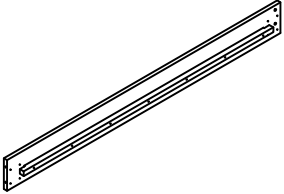
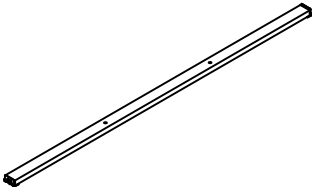


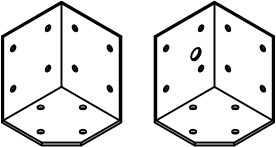




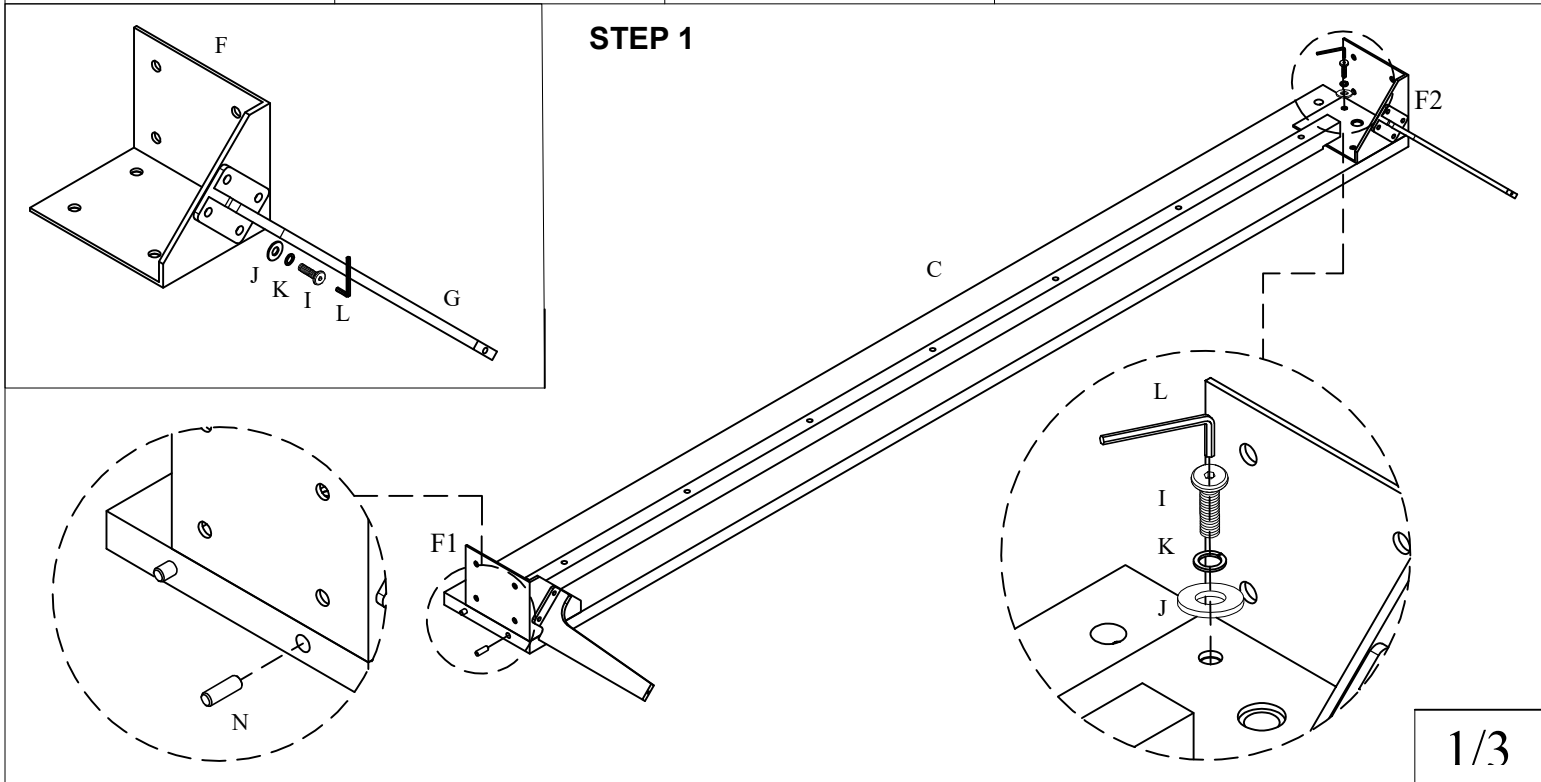
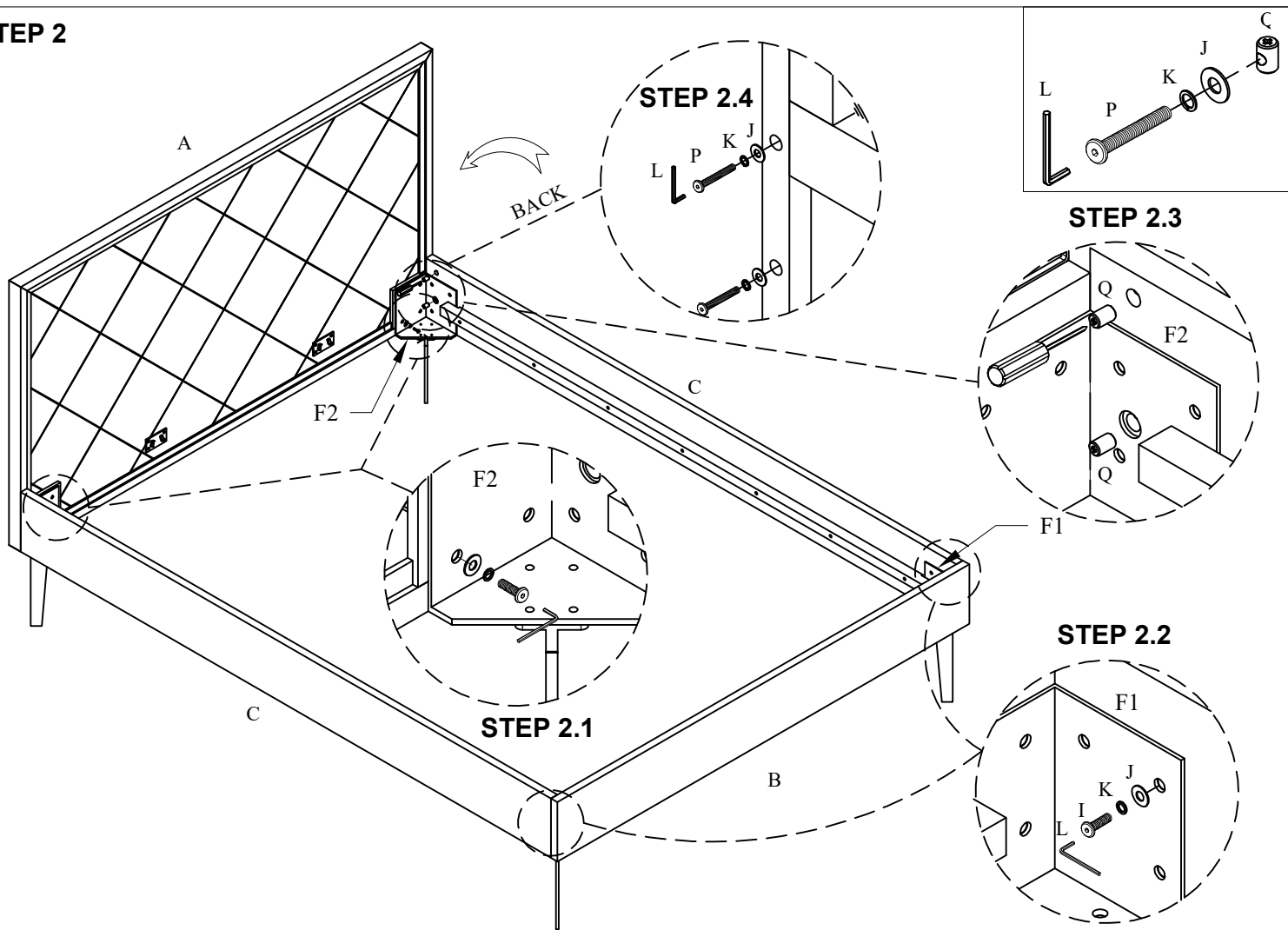


LCCRBDOAK

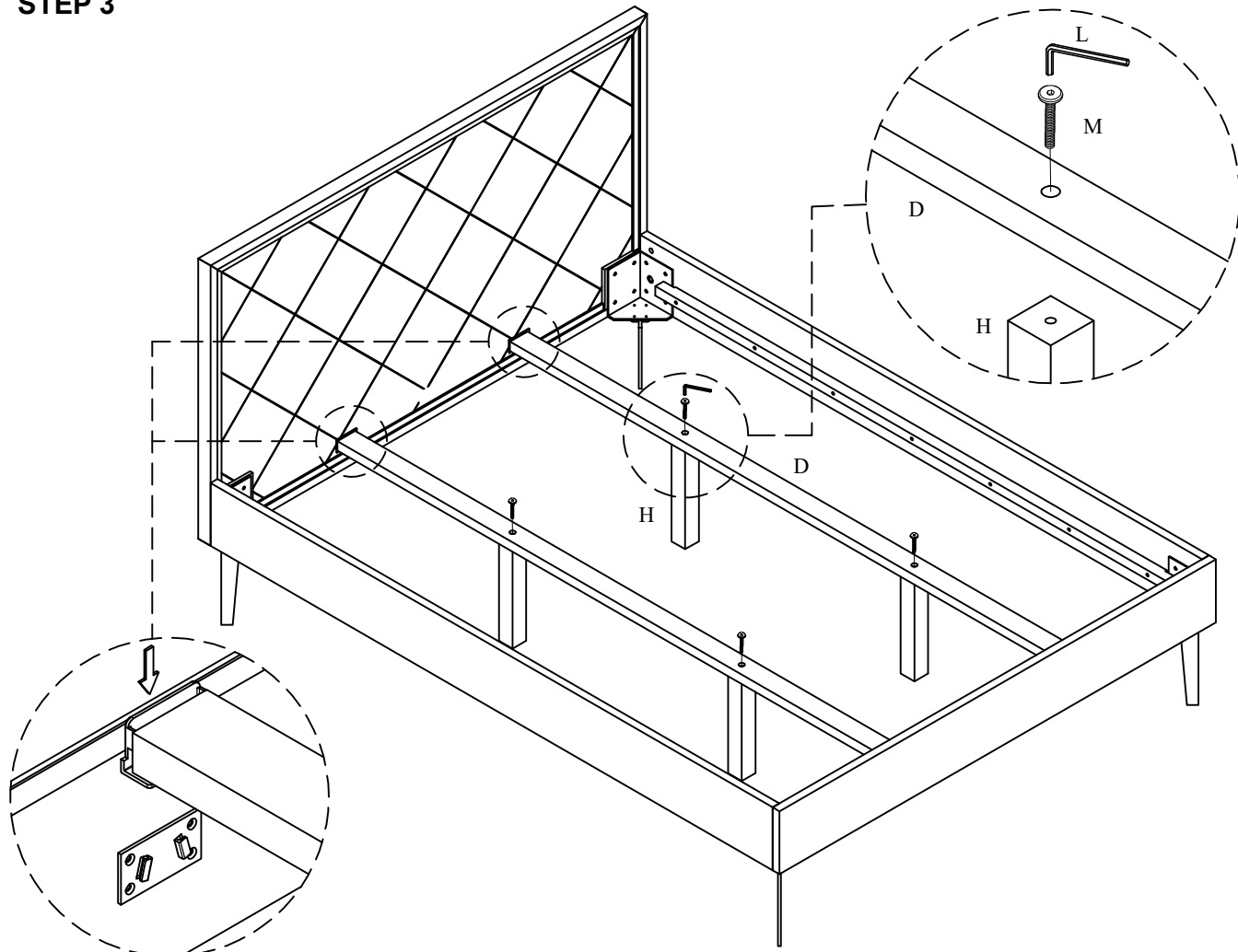
 <p>A: Head x 1</p>	 <p>B: End x 1</p>	 <p>I: Bolt M6*20mm x 48</p>
		 <p>J: Washer x 52</p>
		 <p>K: Washer x 52</p>
		 <p>L: Allen wrench x 1</p>
 <p>C: Side x 2</p>	 <p>D: Support x 2</p>	 <p>M: Bolt M6*35mm x 4</p>
		 <p>N: Dowel-wood x 8</p>
 <p>F1 x 2 F2 x 2</p> <p>F: Bracket x 4</p>	 <p>G: Leg x 4</p>	 <p>O: Screw M4x25 x 8</p>
		 <p>P-R: Bolt M6*90mm x 4</p>
		 <p>H: Support Leg x 4</p> <p>Q-S: Dowel M6*13 x 4</p>



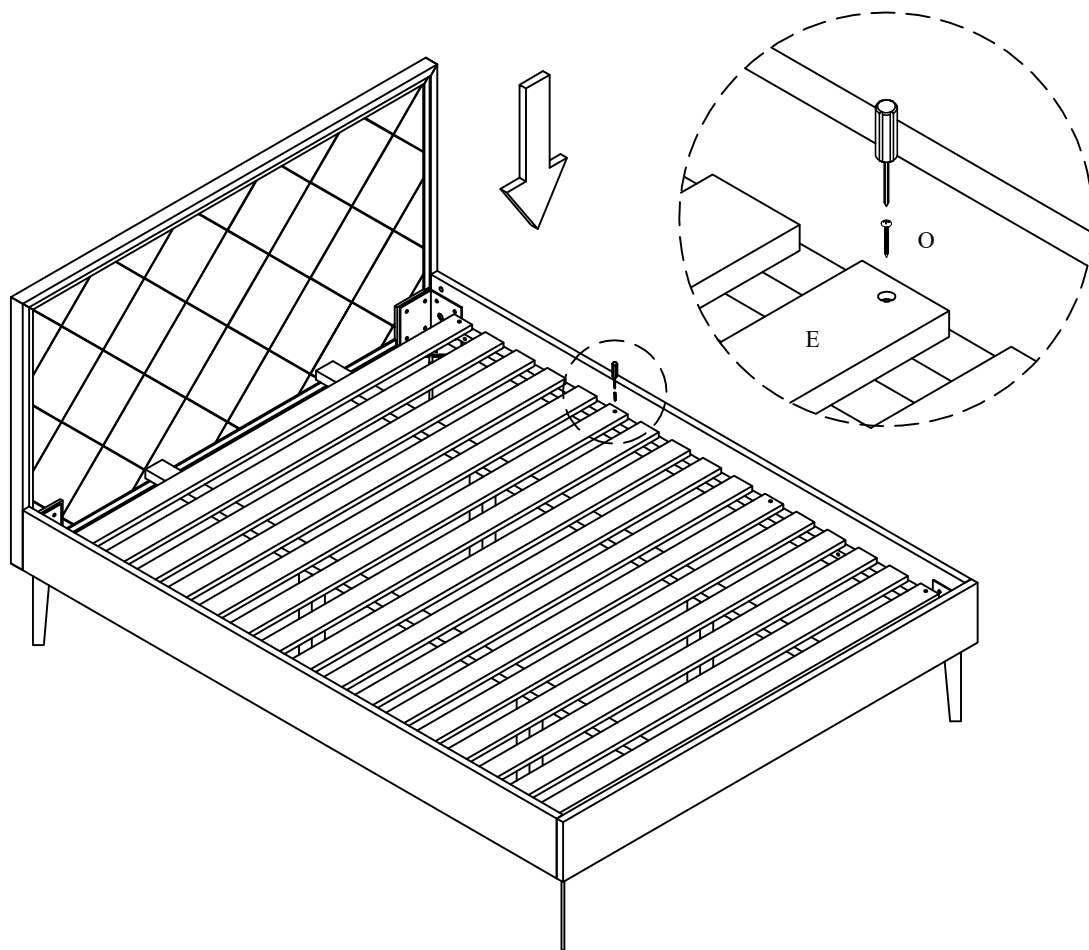
STEP 2



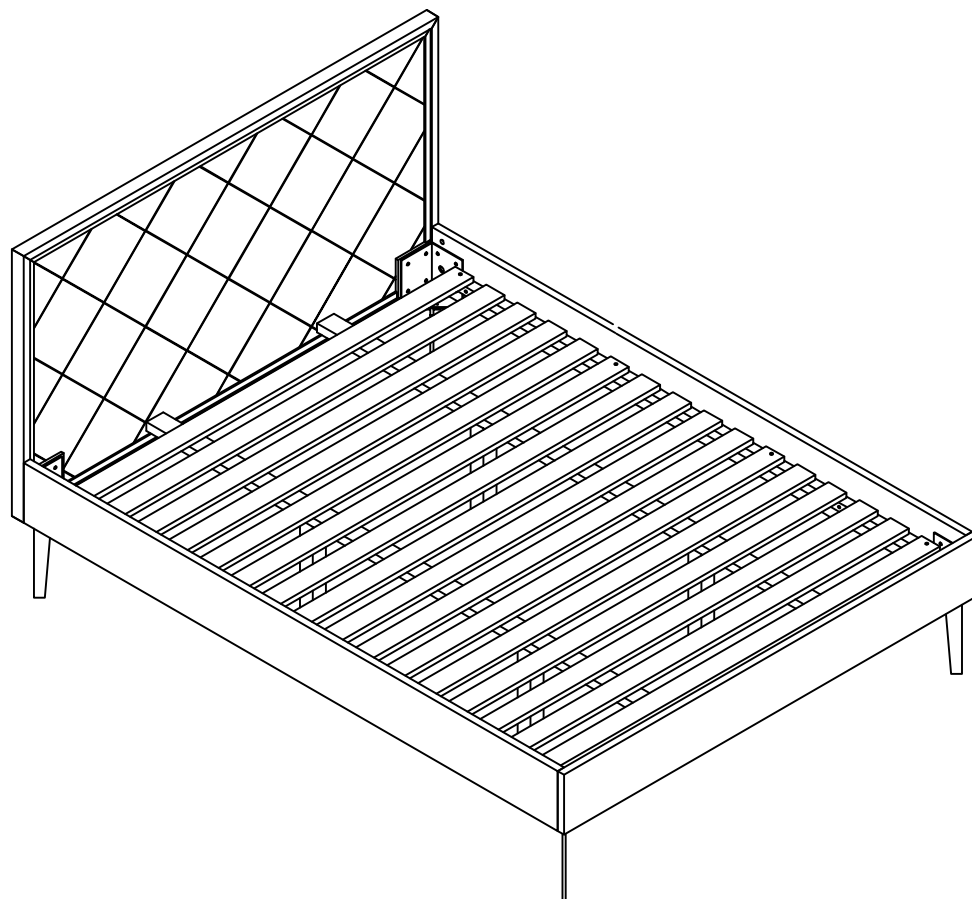
STEP 3

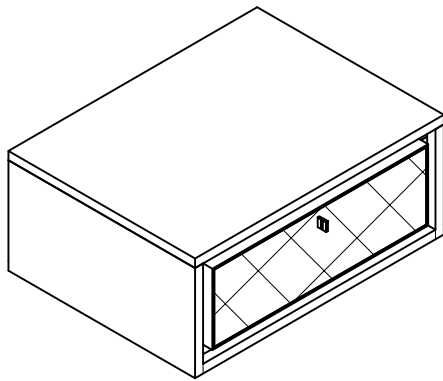


STEP 4



FINISHED





A: Chest x 1



B: Leg x 4



C: Bolt M6*25mm x 16



D: Washer x 16

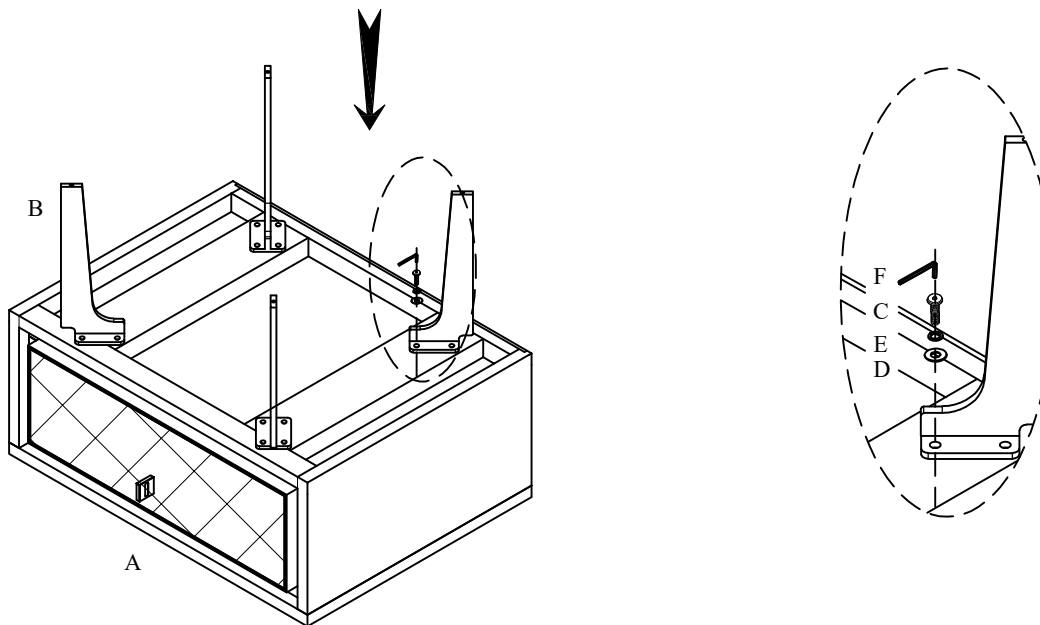


E: Washer x 16



F: Allen wrench x 1

STEP 1



STEP 2

