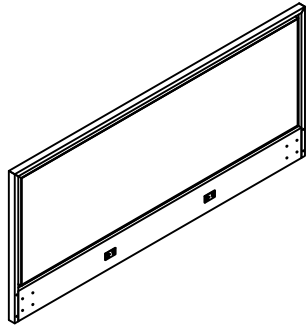
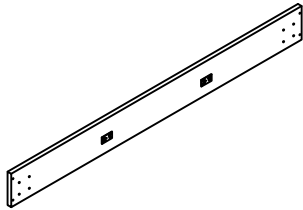
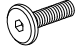



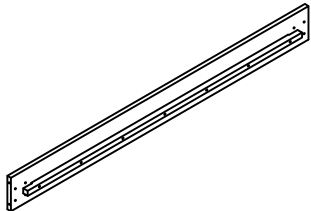
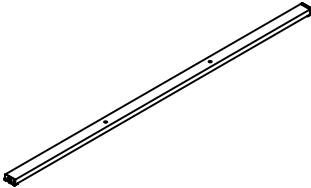



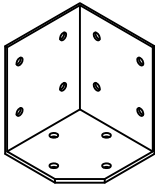
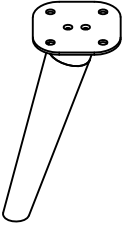



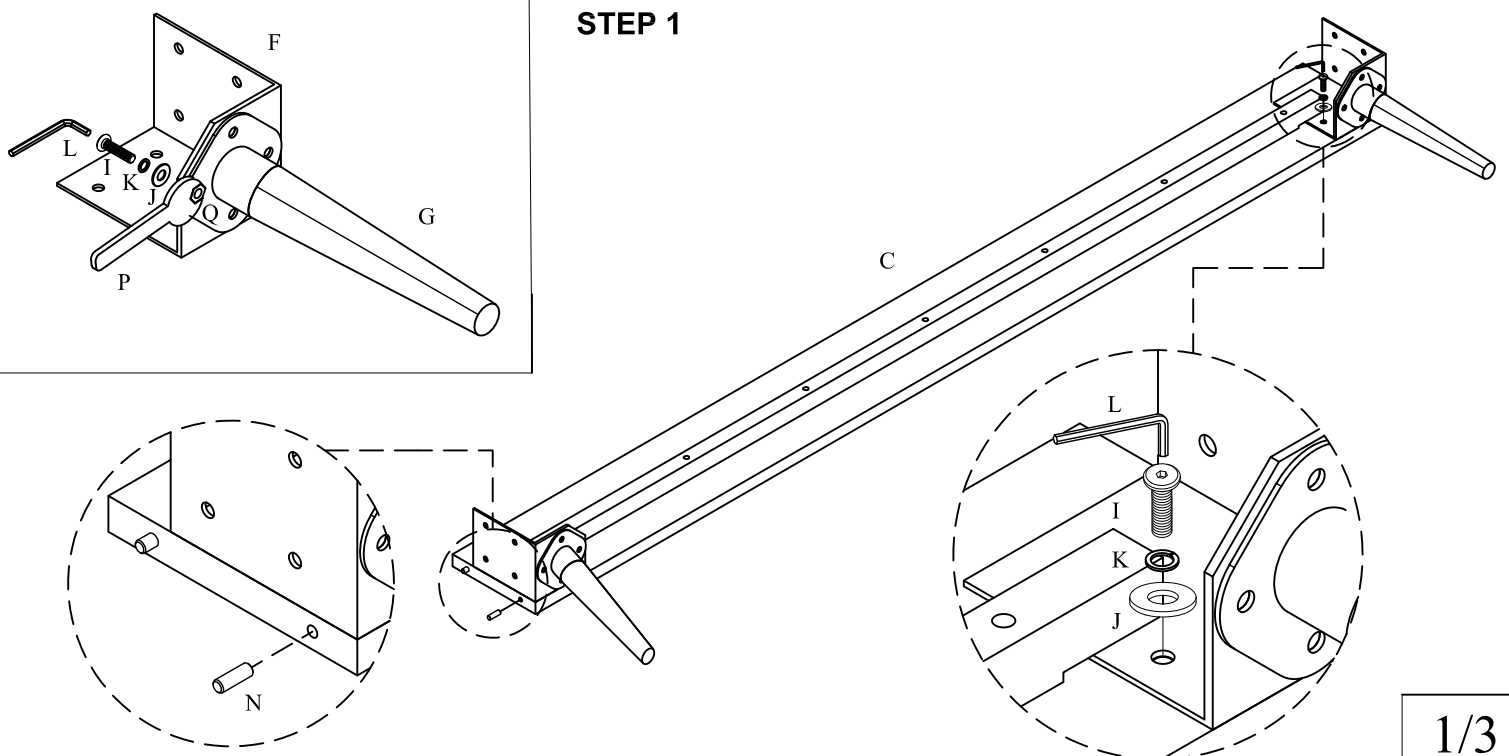


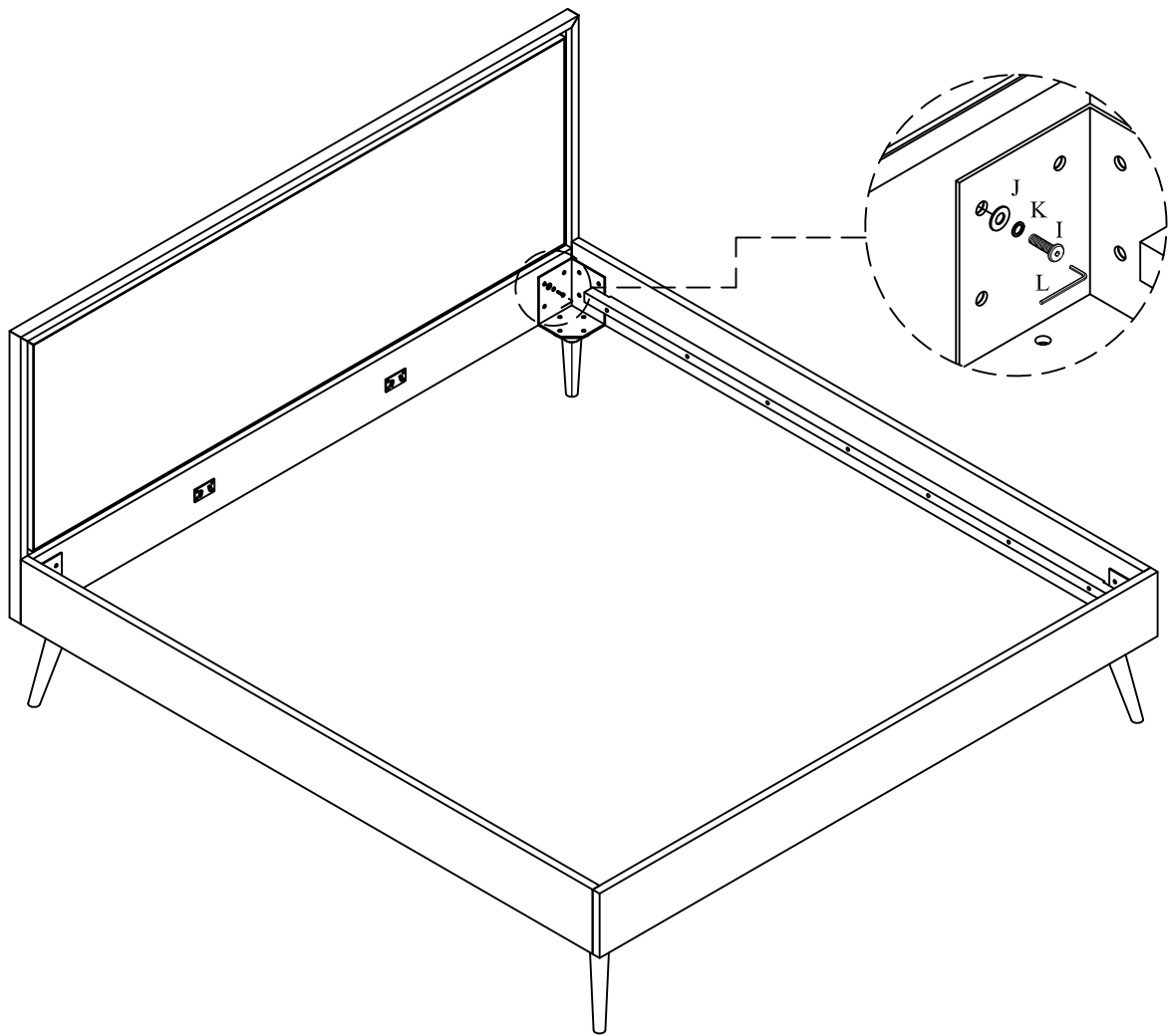
LCCOBDBALKG

 <p>A: Head x 1</p>	 <p>B: End x 1</p>	 <p>I: Bolt M8*20mm x 48</p>
		 <p>J: Washer x 48</p>
		 <p>K: Washer x 48</p>
		 <p>L: Allen wrench x 1</p>
 <p>C: Side x 2</p>	 <p>D: Support x 2</p>	 <p>M: Bolt M6*35mm x 4</p>
		 <p>N: Dowel-wood x 8</p>
		 <p>O: Screw M4x25 x 8</p>
 <p>F: Bracket x 4</p>	 <p>G: Leg x 4</p>	 <p>H: Support Leg x 4</p>
		 <p>P: Wrench V13 x 1</p>
		 <p>Q: Nut M8 x 16</p>

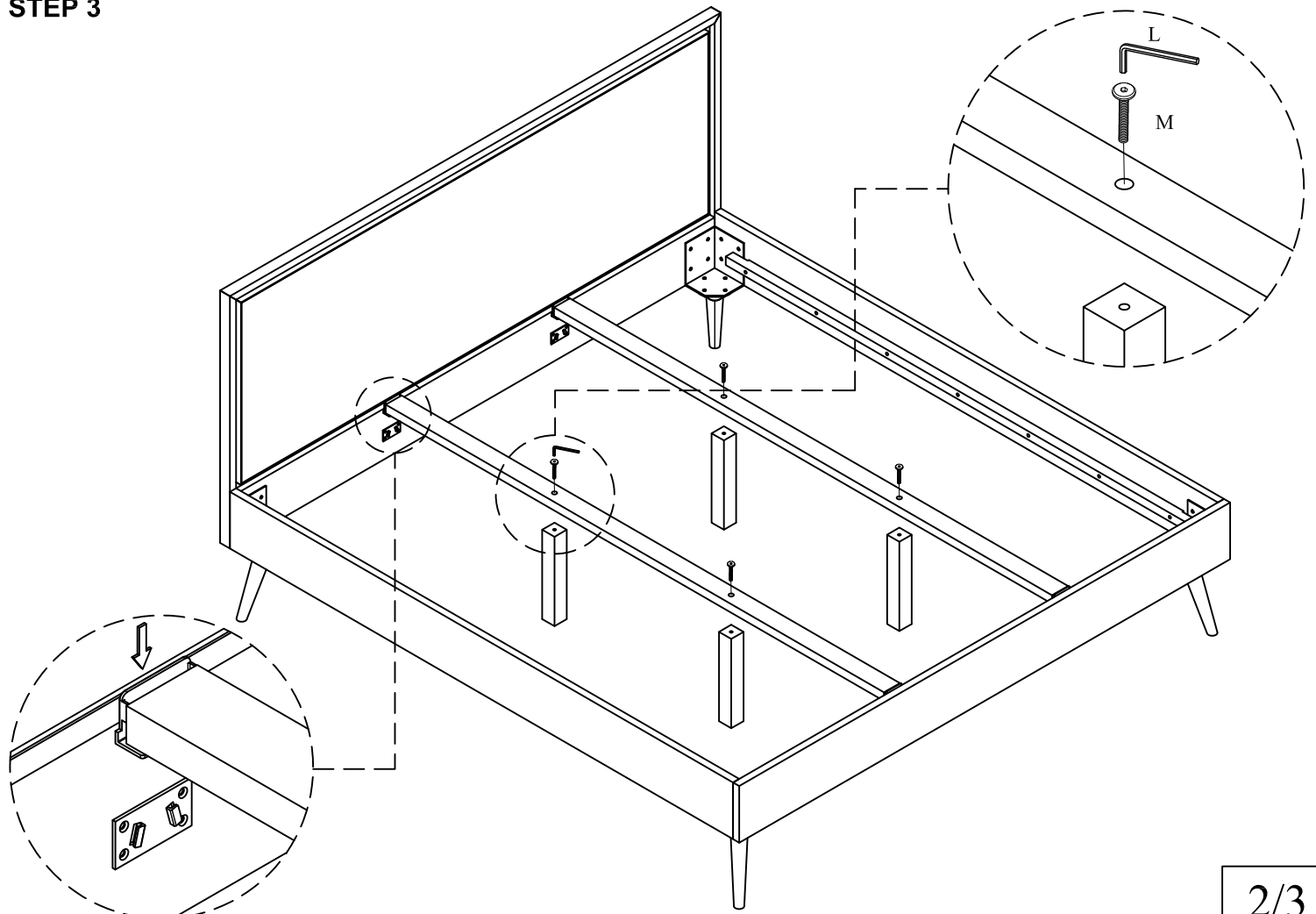
STEP 1



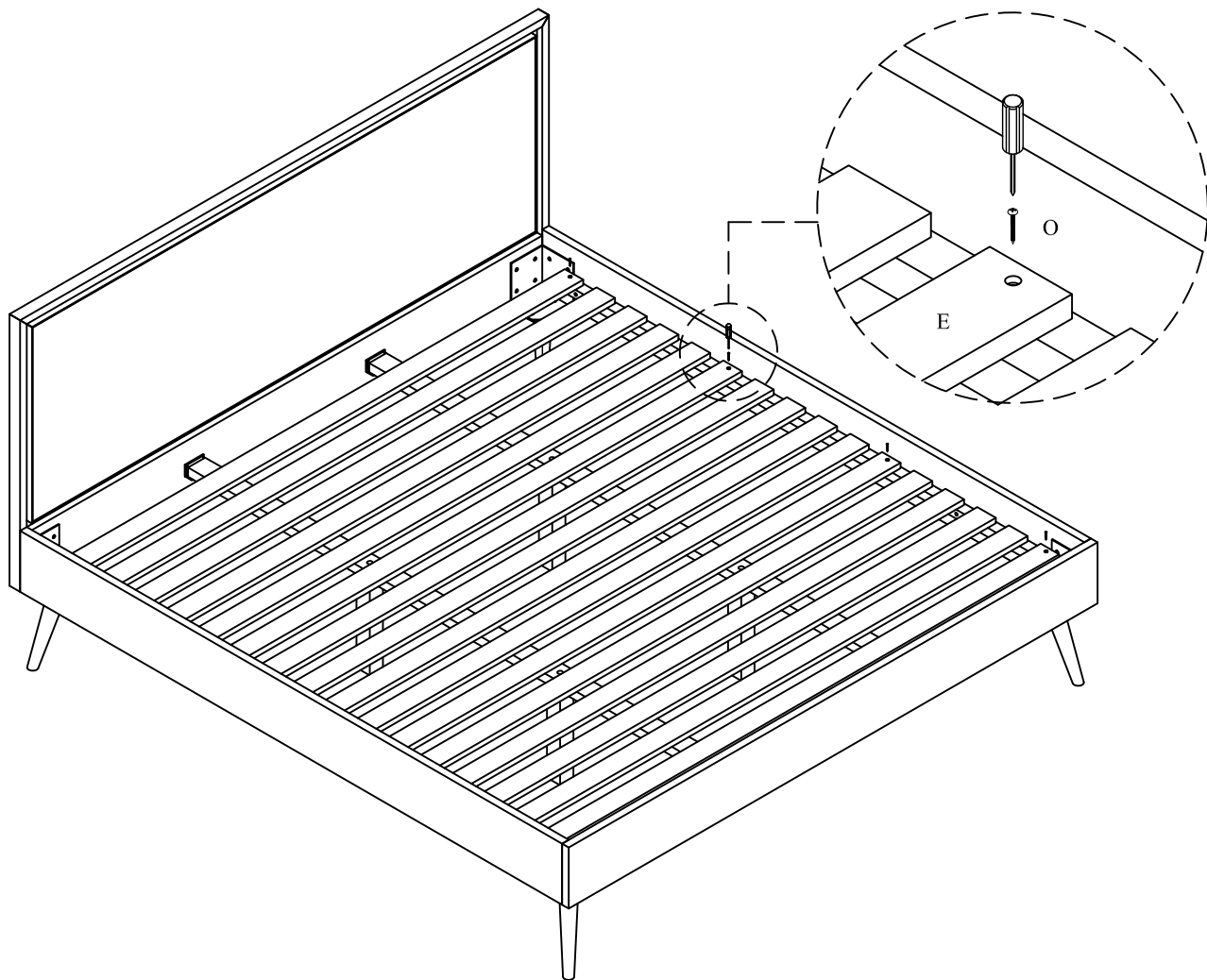
STEP 2



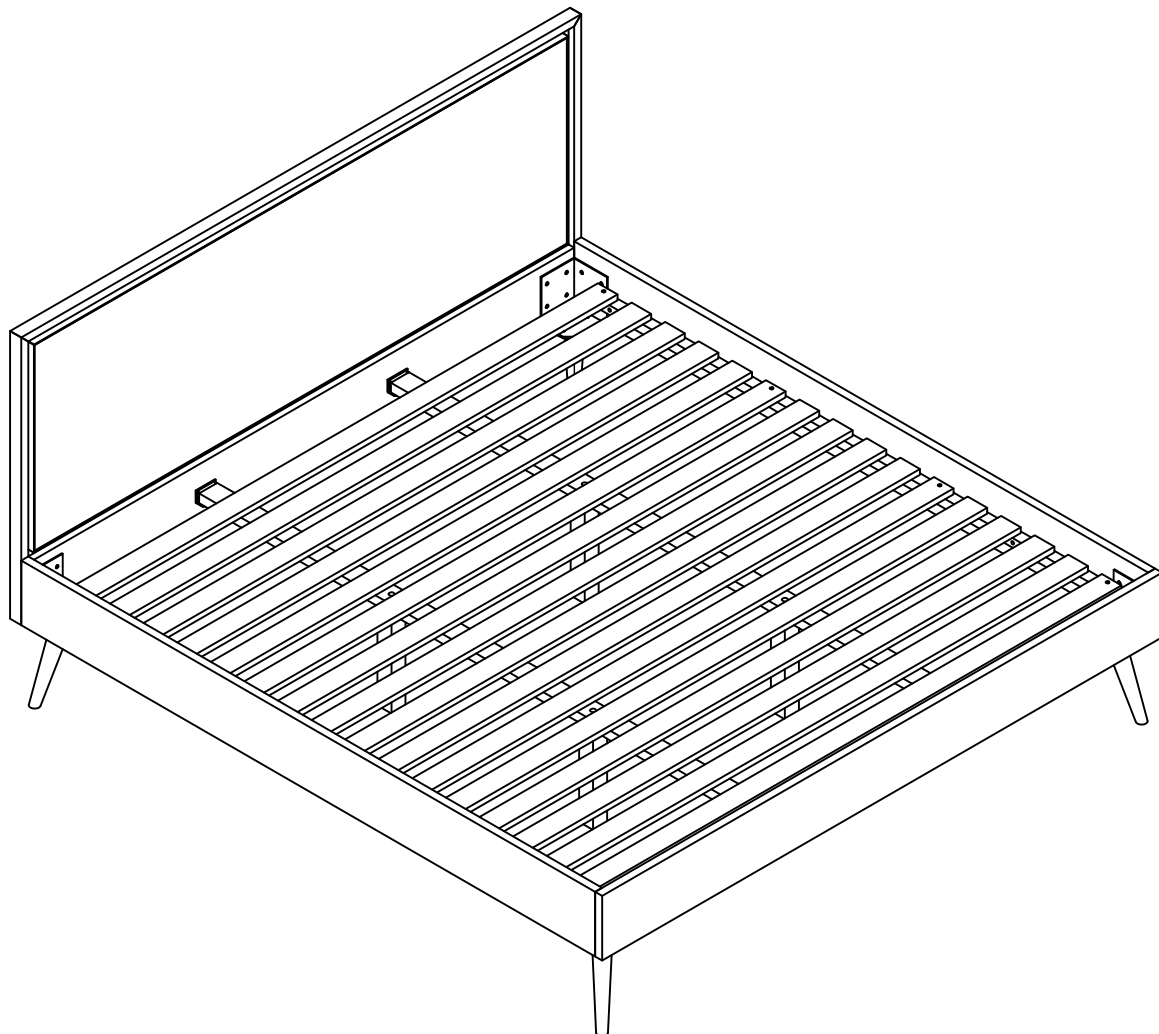
STEP 3



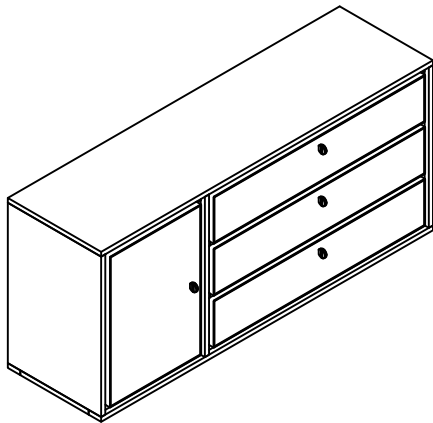
STEP 4



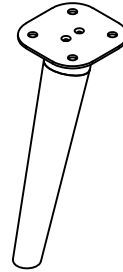
FINISHED



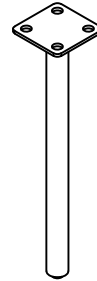
LCCODRBAL



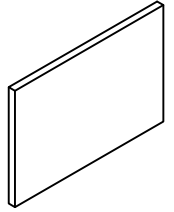
A: Chest x 1



B: Leg x 4

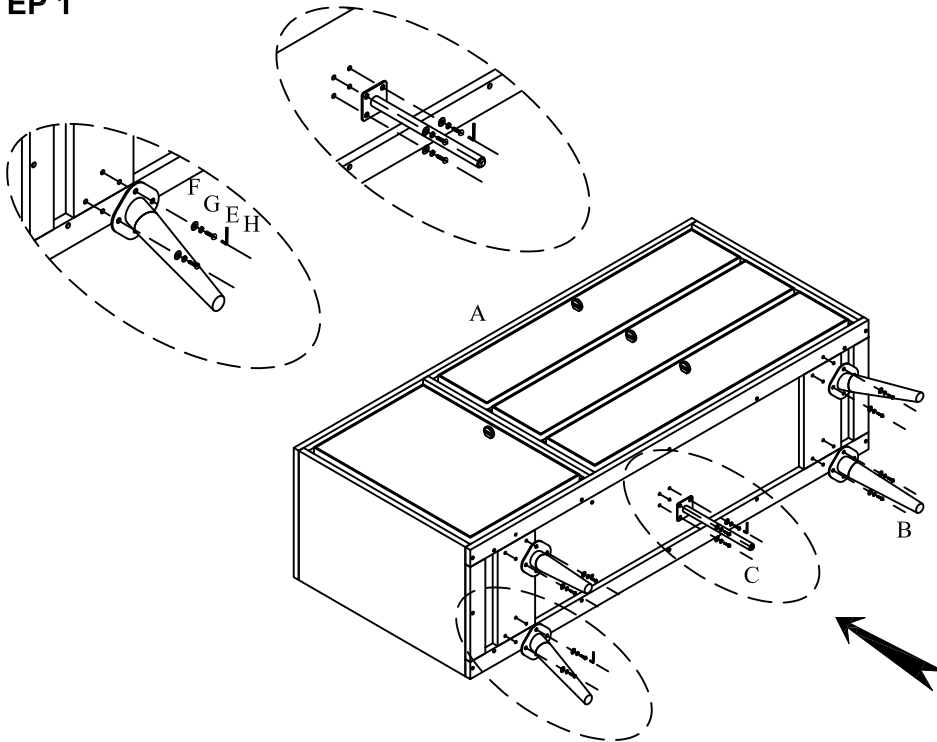


C: Support Leg x 1



D: Shelf x 1

STEP 1



E: Bolt M6*20mm x 20



F: Washer x 20



G: Washer x 20

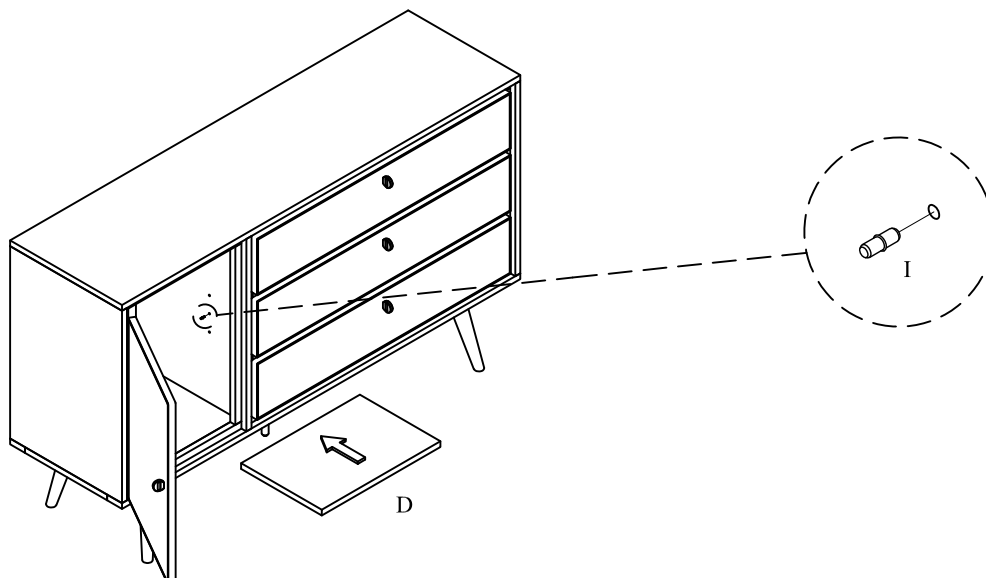


H: Allen wrench x 1







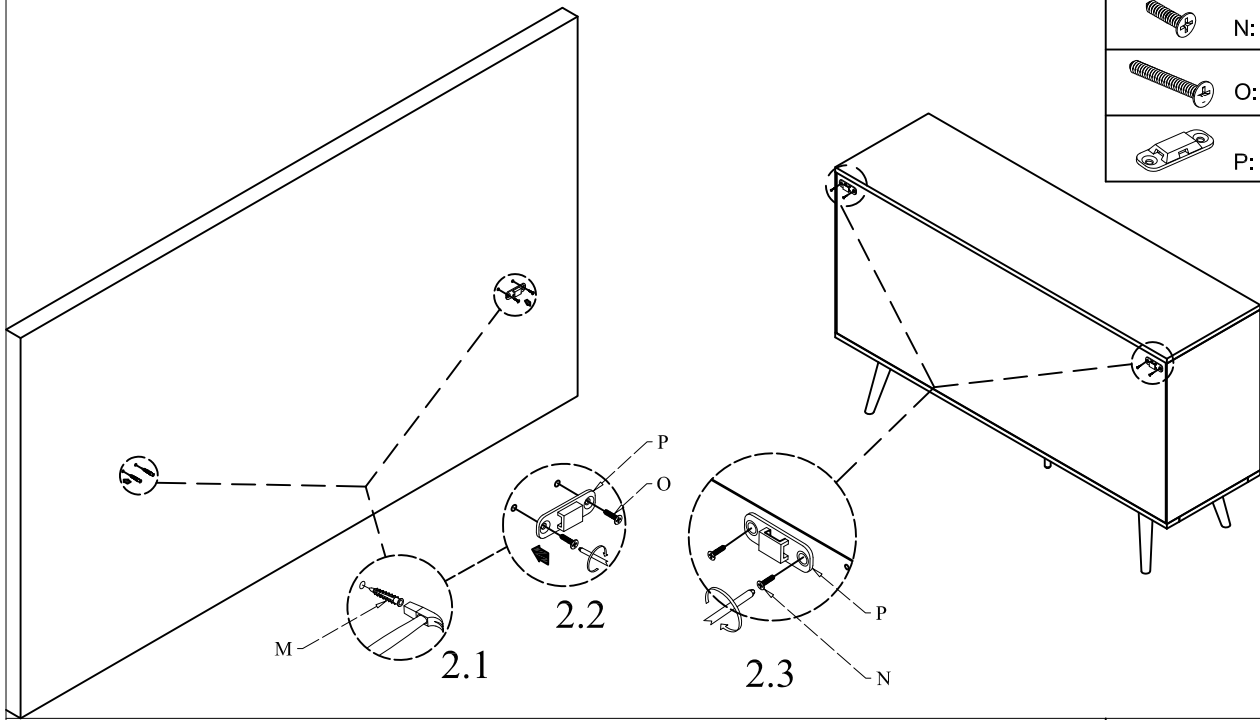
I: Support ting shelf x 4

STEP 2

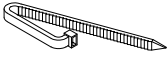


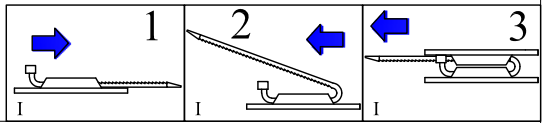
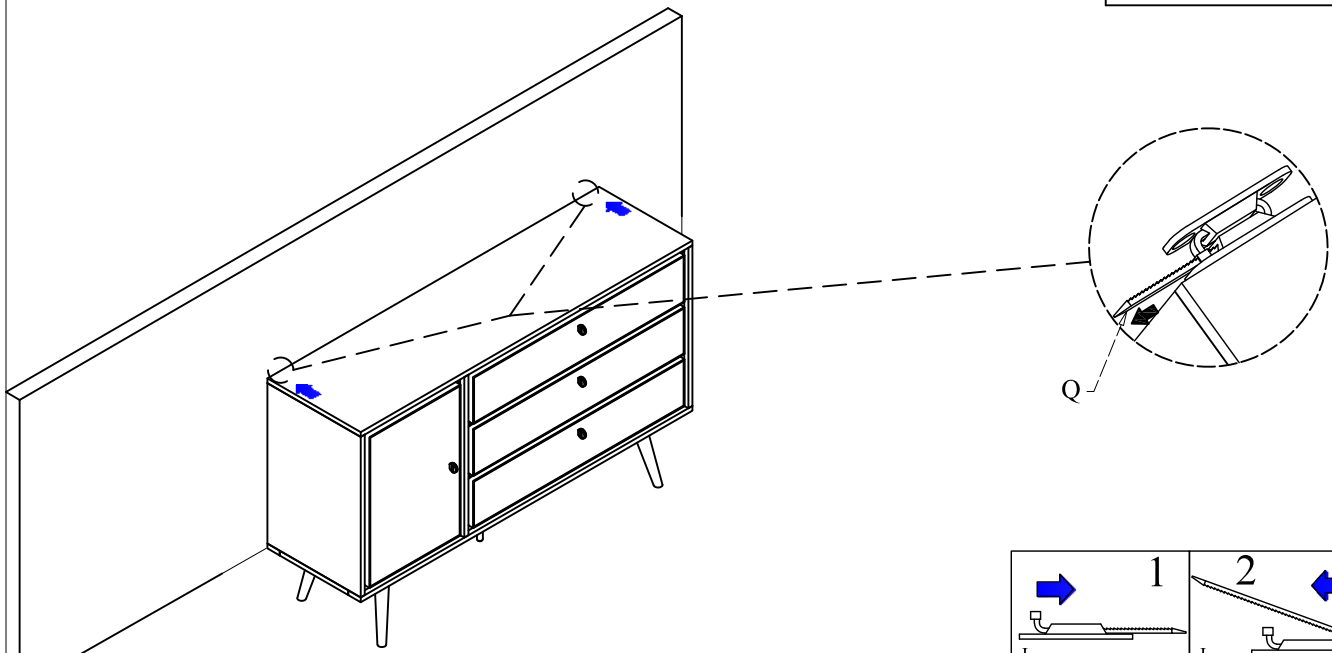
STEP 3

	M: Insert nut M6*50mm x 4	
	N: Screw M4*20	x 4
	O: Screw M4*40	x 4
	P: Anti flib A	x 4

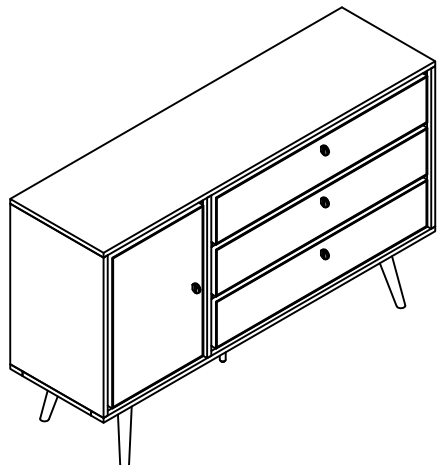


STEP 4

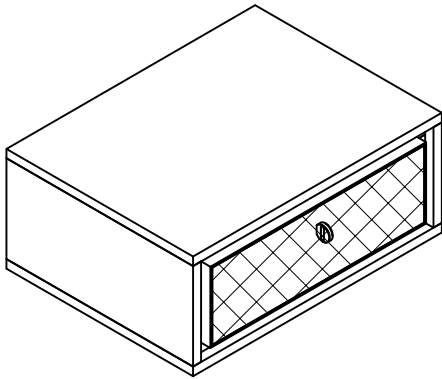
	Q: Anti flip B	x 2
---	----------------	-----



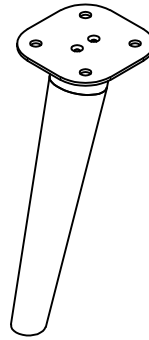
STEP 5



LCCOLABAL



A: Chest x 1



B: Leg x 4



C: Bolt M6*20mm x 16



D: Washer x 16

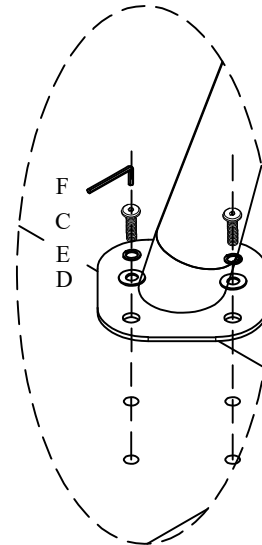
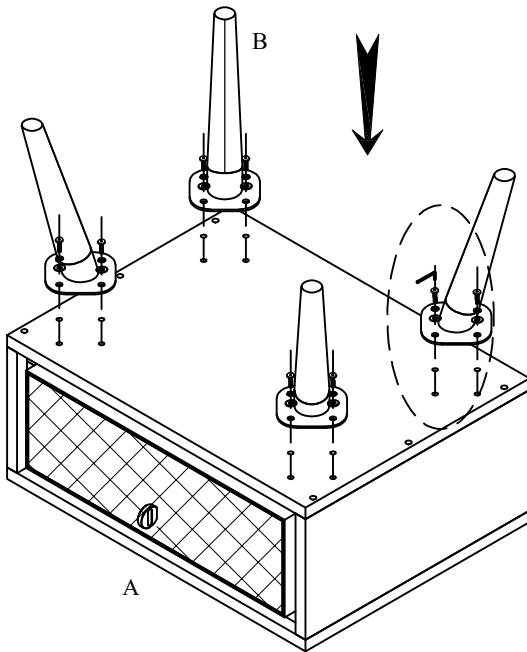


E: Washer x 16



F: Allen wrench x 1

STEP 1



STEP 2

