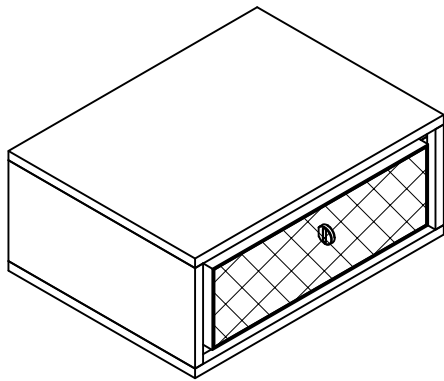
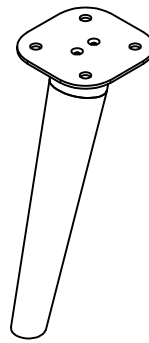


LCCOLABAL



A: Chest x 1



B: Leg x 4



C: Bolt M6*20mm x 16



D: Washer x 16

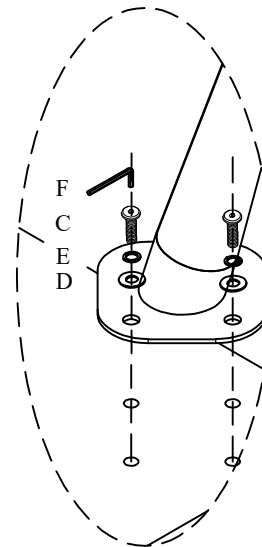
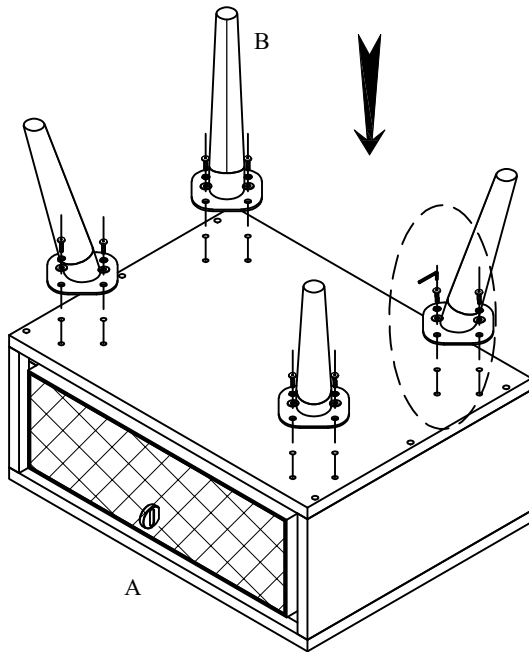


E: Washer x 16

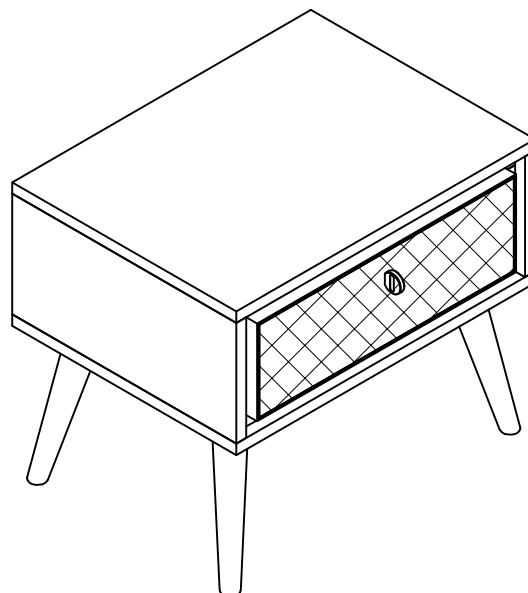


F: Allen wrench x 1

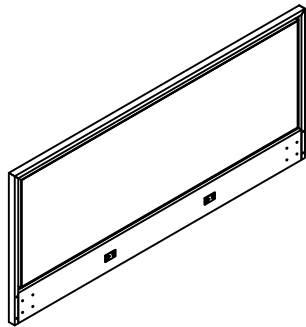
STEP 1



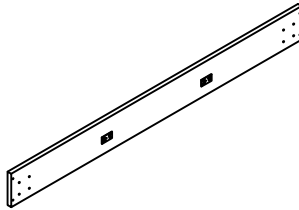
STEP 2



LCCOBDBALKG



A: Head x 1



B: End x 1



I: Bolt M8*20mm x 48



J: Washer x 48



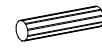
K: Washer x 48



L: Allen wrench x 1



M: Bolt M6*35mm x 4



N: Dowel-wood x 8



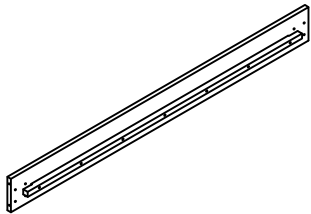
O: Screw M4x25 x 8



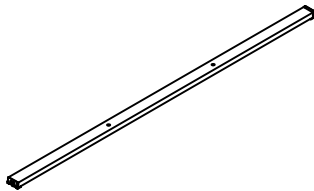
P: Wrench V13 x 1



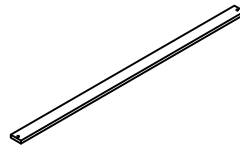
Q: Nut M8 x 16



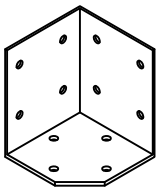
C: Side x 2



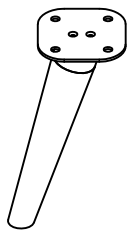
D: Support x 2



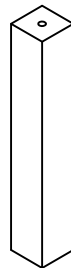
E: Slat x 16



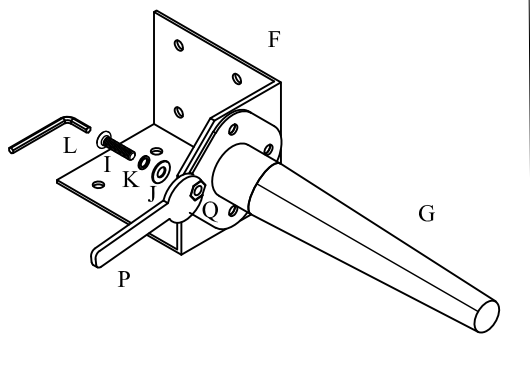
F: Bracket x 4



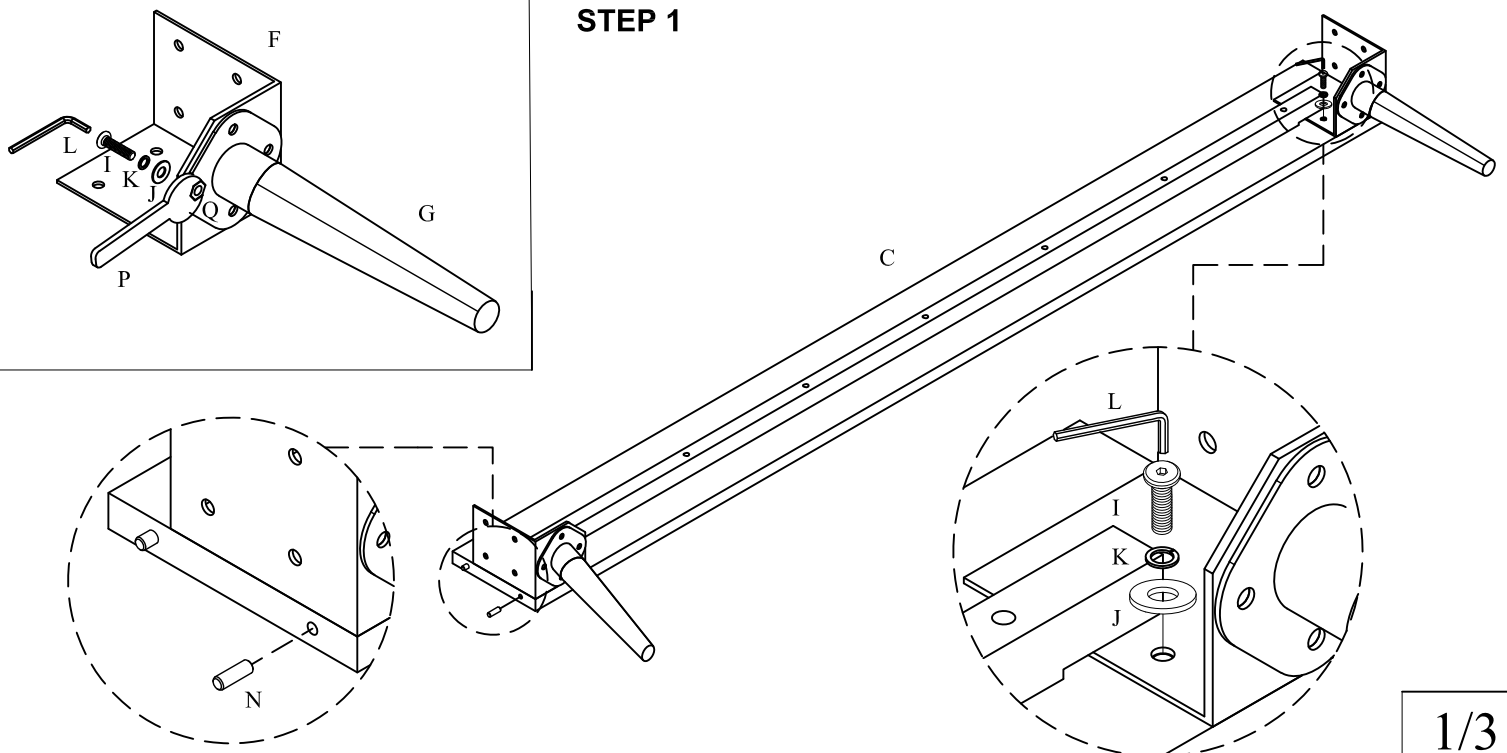
G: Leg x 4



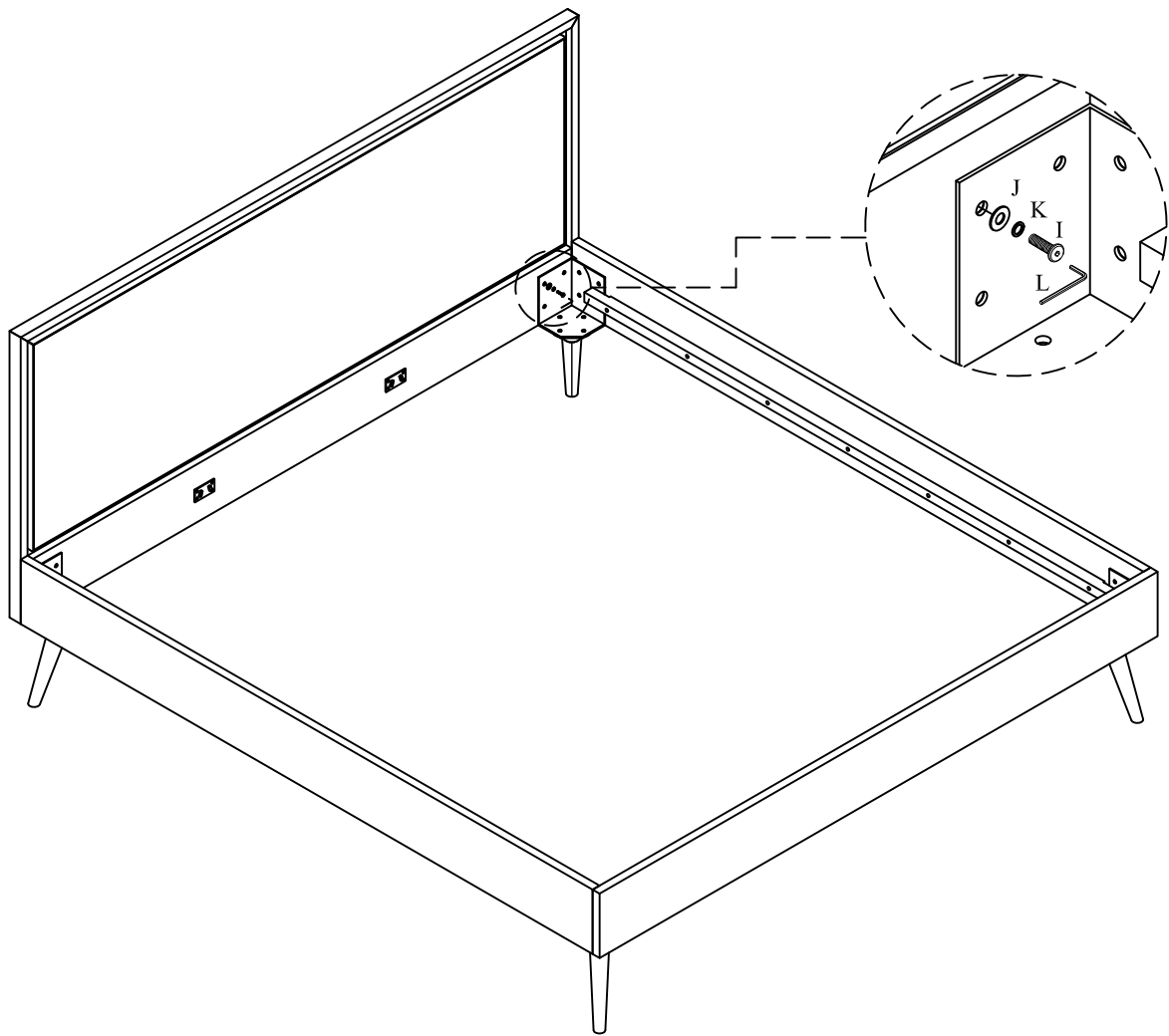
H: Support Leg x 4



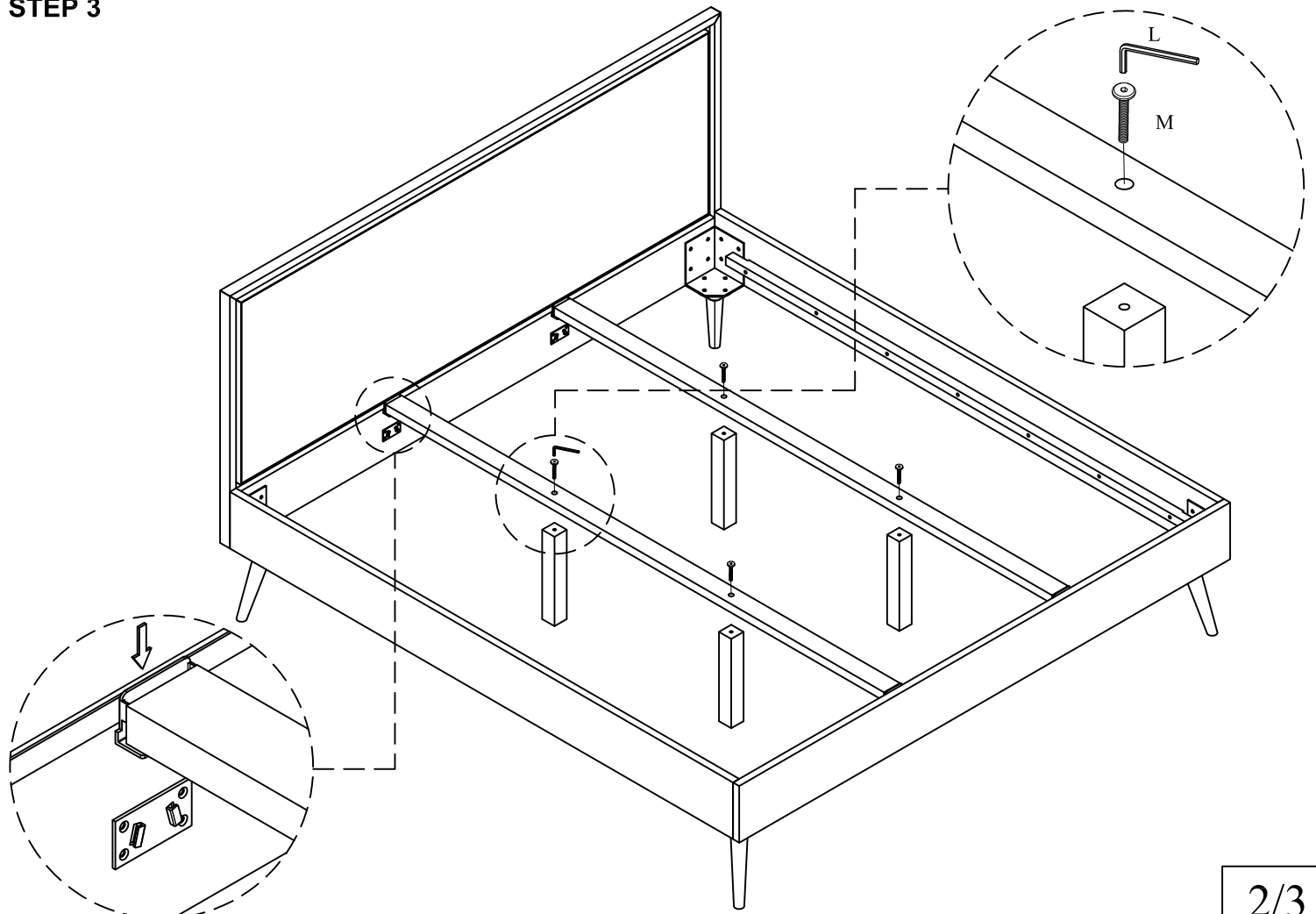
STEP 1



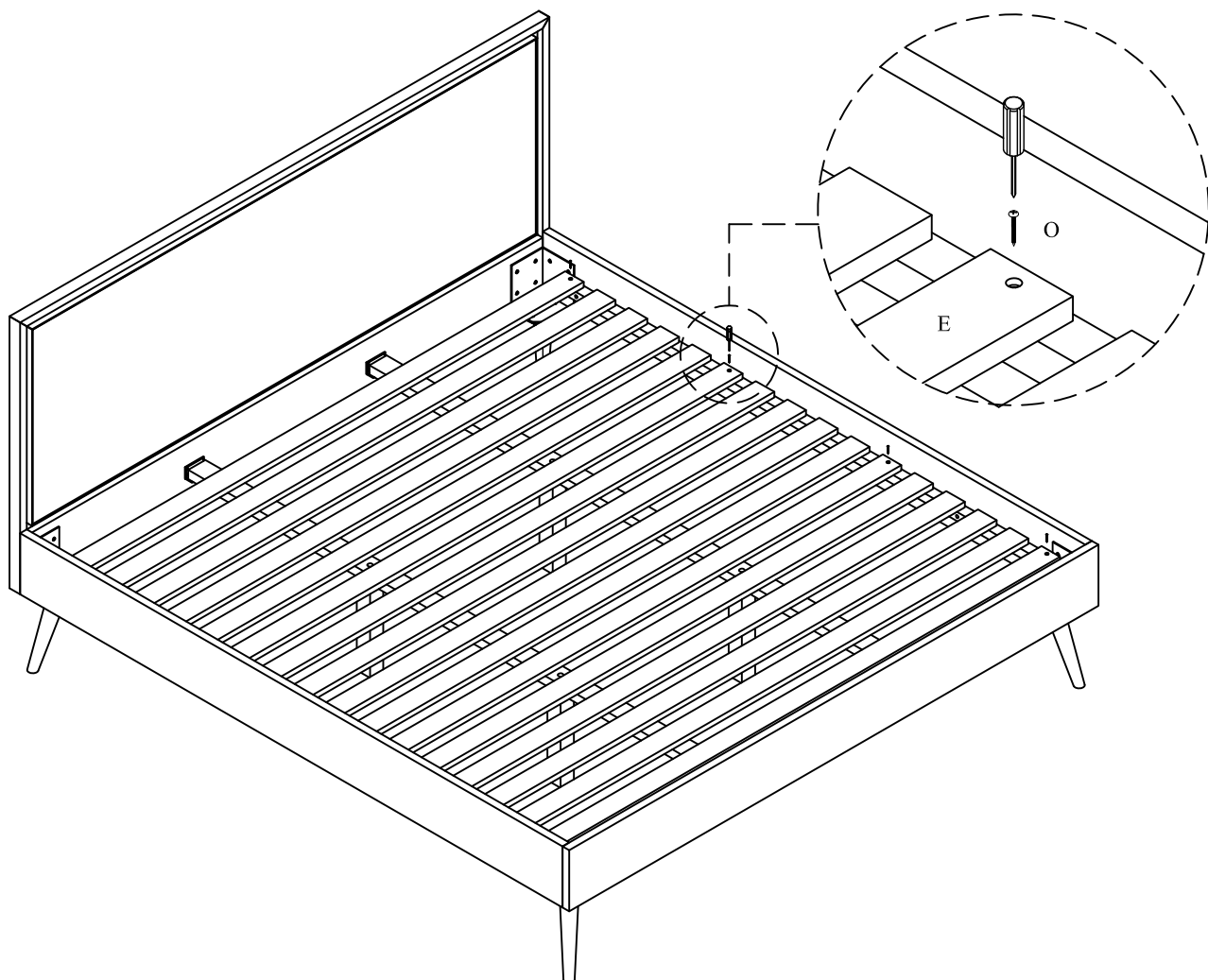
STEP 2



STEP 3



STEP 4



FINISHED

