

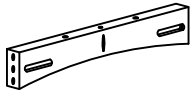
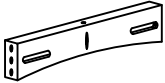










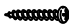
# Product Assembly Instructions

LCAZSIWABLU / LCAZSIWACH / LCAZSIWAOR / LCAZSIBLGR

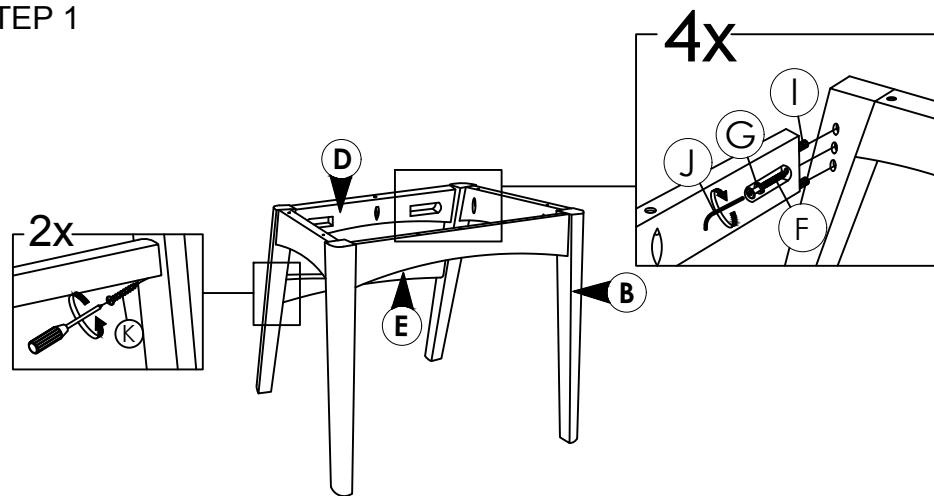
## PART LIST

|   |   |  |
|---|---|--|
| <br>A : CUSHION SEAT x1      | <br>B : CHAIR LEG (L & R) x2 | <br>C : FRONT RAIL (LONG) x1 |
| <br>D : BACK RAIL (SHORT) x1 | <br>E : STRETCHER x1         |  |

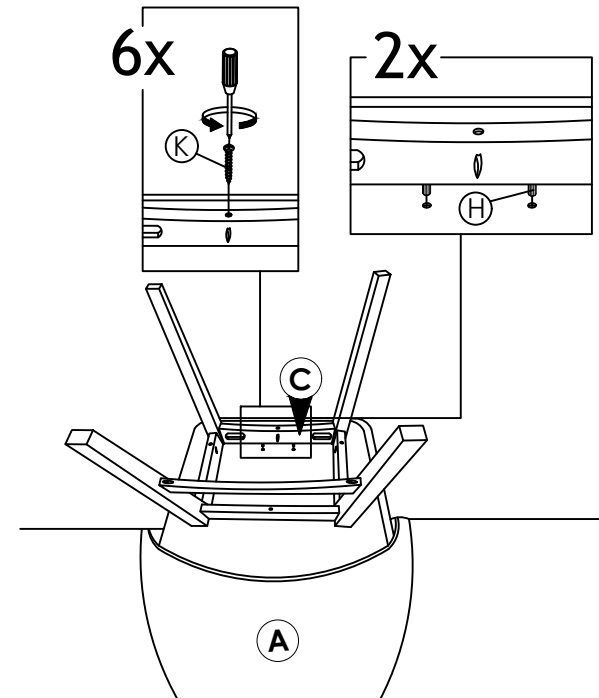
## HARDWARE LIST

|   |   |   |
|---|---|---|
| <br>F : JCBC SCREW M6 x 50MM x4    | <br>G : SPRING WASHER 1/4" x4          | <br>H : WOOD DOWEL DIA 8 x 25MM x2       |
| <br>I : WOOD DOWEL DIA 8 x 35MM x8 | <br>J : ALLEN KEY M4 ( BALL SHAPE ) x1 | <br>K : PAN HEAD WOOD SCREW M5 x 38MM x8 |

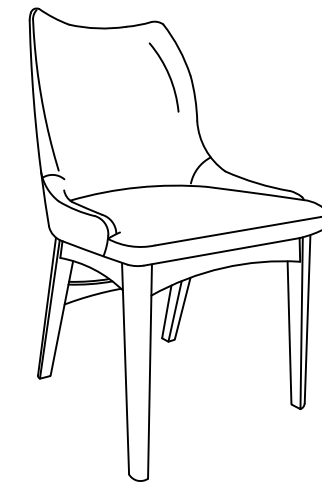
### STEP 1



### STEP 2

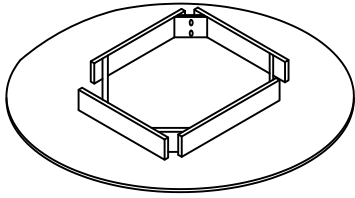


### STEP 3

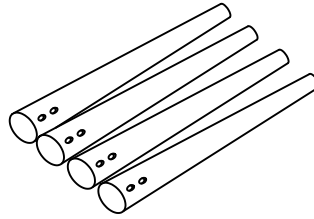


ASSEMBLY COMPLETED

### PART LIST



A : TABLE TOP x1



B : TABLE LEG x4

### HARDWARE LIST



C : JCB SCREW M8 x 70mm x8



D : SPRING WASHER 5/16" x8

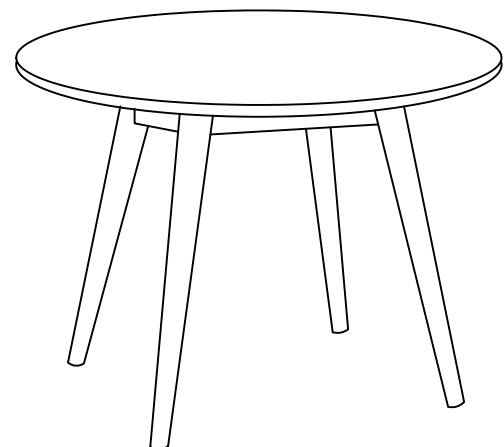
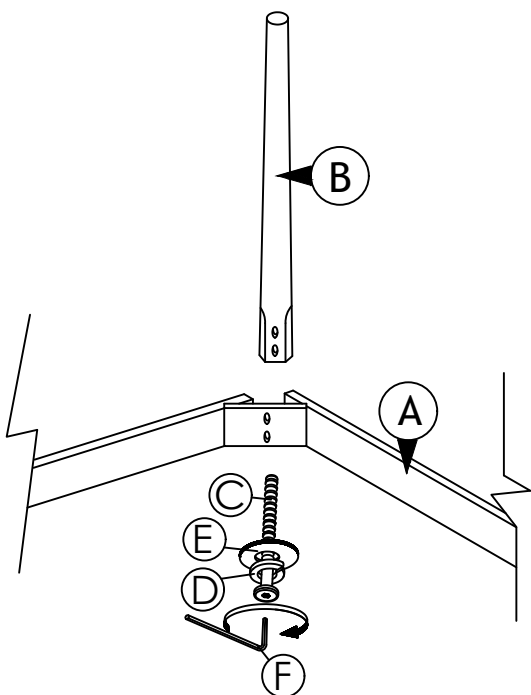


E : FLAT WASHER 5/16" x8



F : ALLEN KEY M5 x1

### STEP 1



ASSEMBLY COMPLETED