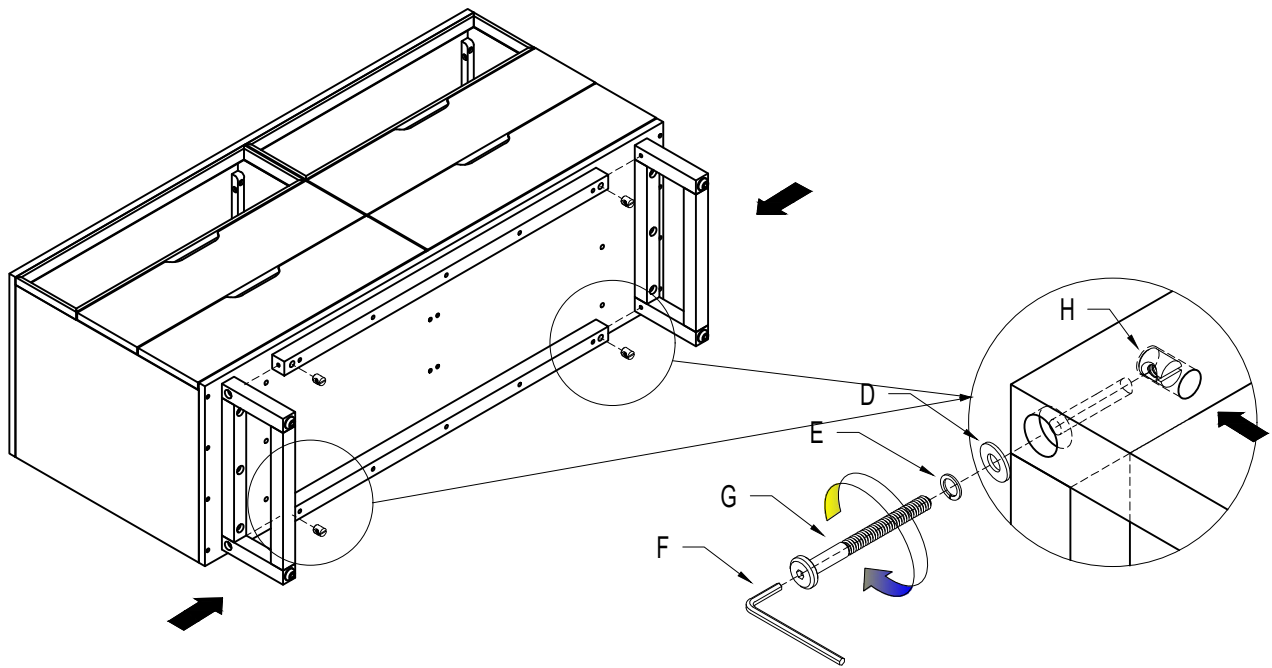


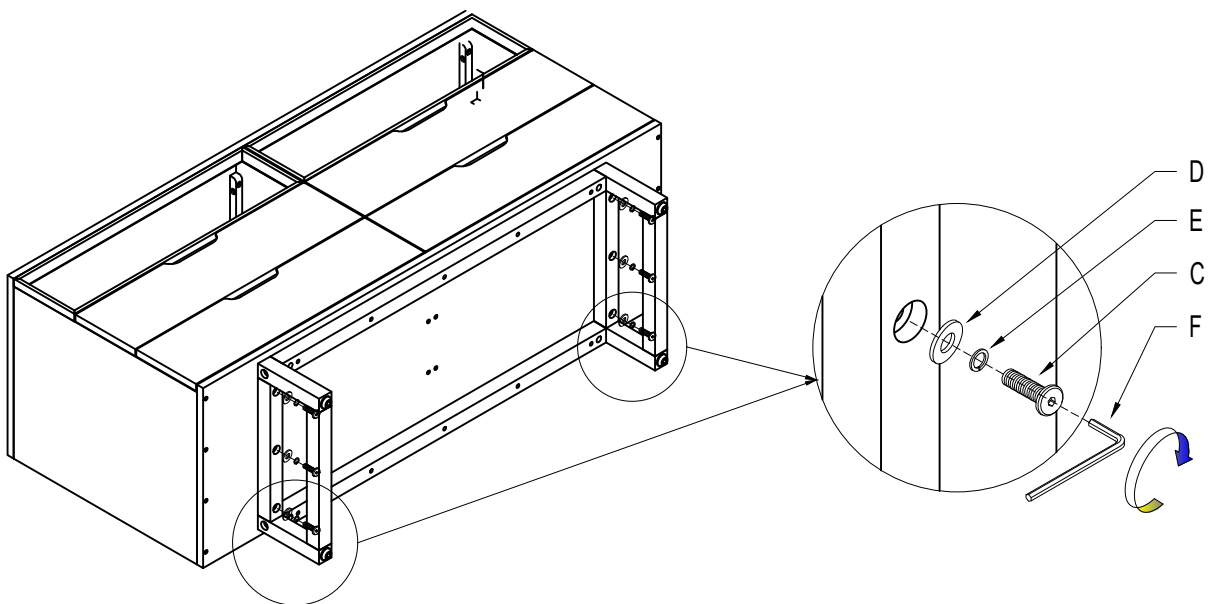
ALDO - DRESSER 4.DRWS + 2.OPEN NICHES

<p>A: Chest x 1</p> <p>B: Leg x 2</p>	<p>C: Bolt / M8*45 x 6</p>	<p>I: Insert nut x 4</p>
	<p>D: Flat Washer / Ø19 x 10</p>	<p>K: Screw M4*20 x 4</p>
	<p>E: Lock Washer / 12 x 10</p>	<p>L: Screw M4*40 x 4</p>
	<p>F: Allenkey V4 x 1</p>	<p>M: Anti - flip A x 4</p>
	<p>G: Bolt / M6*60 x 4</p>	<p>N: Anti - flip B x 2</p>
	<p>H: Cross dowel x 4</p>	





STEP 1

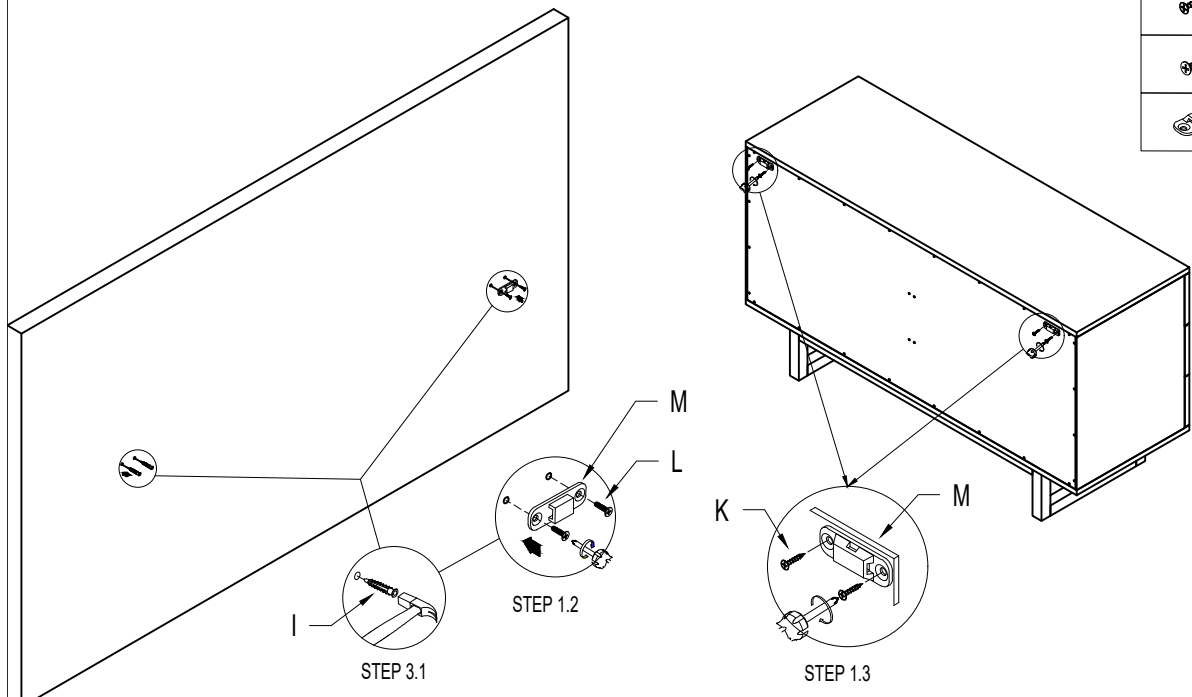


STEP 2



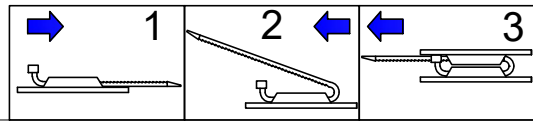
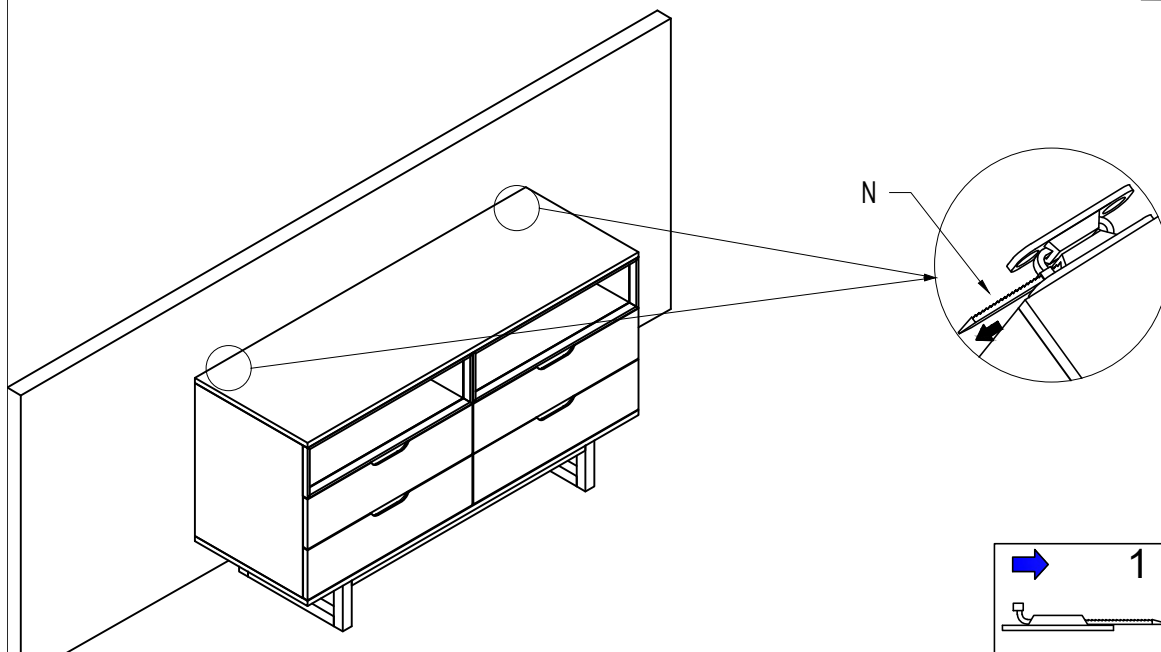
STEP 3

	I: Insert nut	x 4
	K: Screw M4*20	x 4
	L: Screw M4*40	x 4
	M: Anti - flip A	x 4

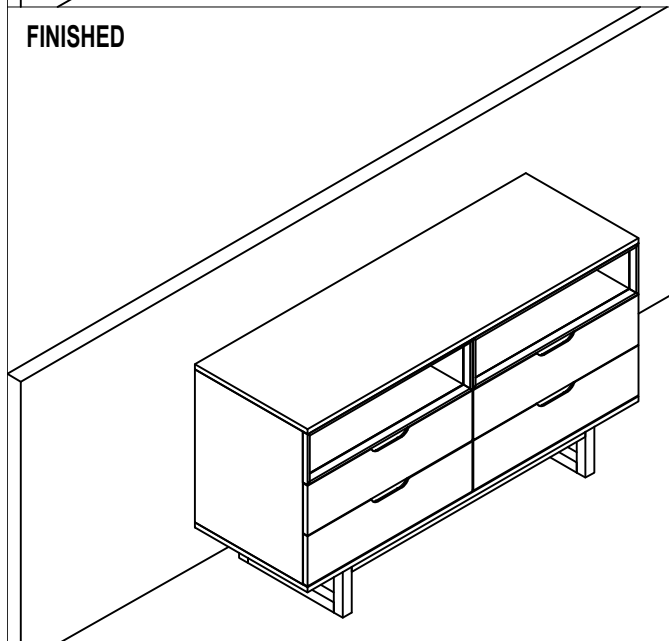


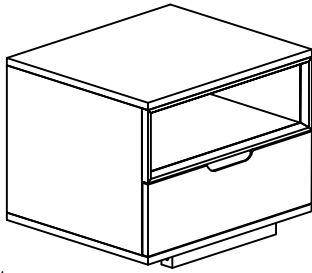
STEP 4

	N: Anti - flip B	x 2
---	------------------	-----

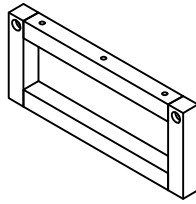


FINISHED









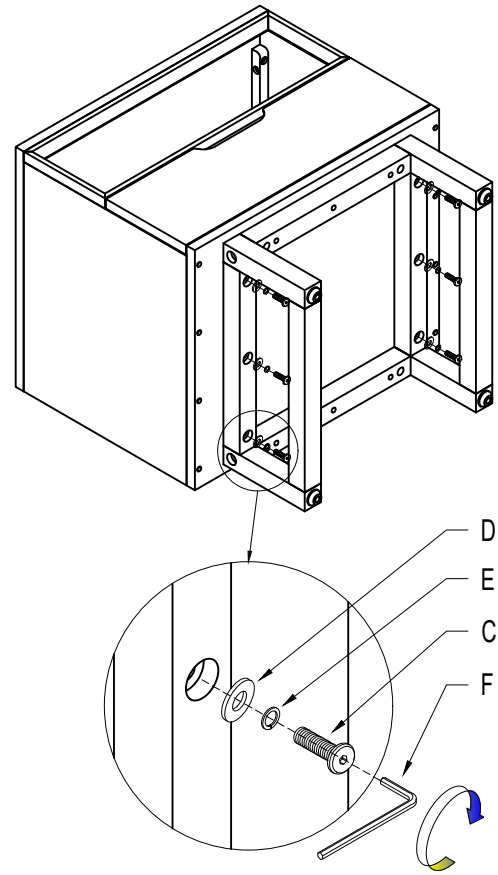
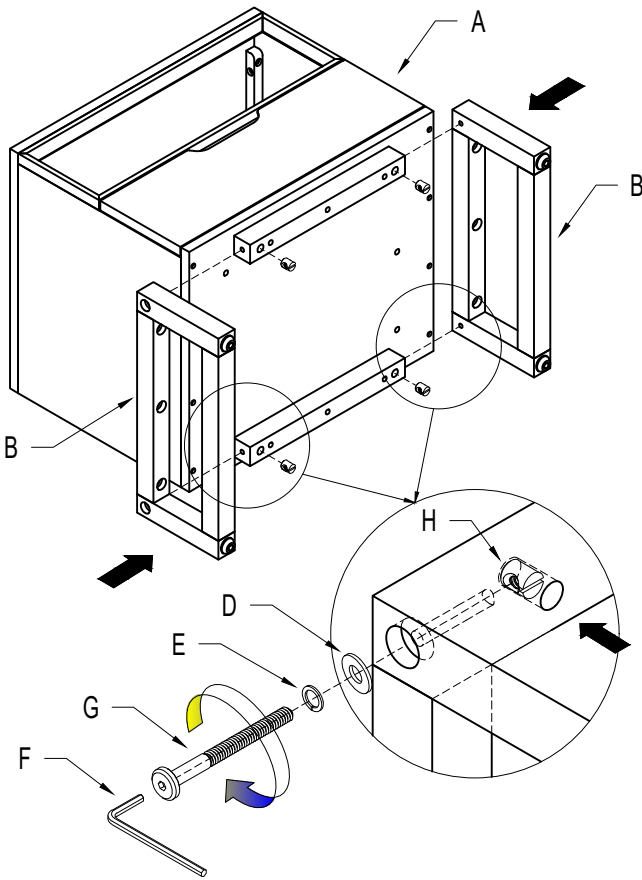


A: Chest x 1



B: Leg x 2

	C: Bolt / M8*45	x 6
	D: Flat Washer / Ø19	x 10
	E: Lock Washer / Ø12	x 10
	F: Allenkey V4	x 1
	G: Bolt / M6*60	x 4
	H: Cross dowel	x 4



Finished

Step 1 : Turn the chest over (A) and place it on the ground where the exterior finish will not be scratched.

Insert the cross dowel (H) with the drill hole of the cross bar on bottom panel.

Align the screw holes of the legs (B) with the screw holes of the cross bar.

Insert flat washers (D) lock washer (E) and bolt (G) into each hole,

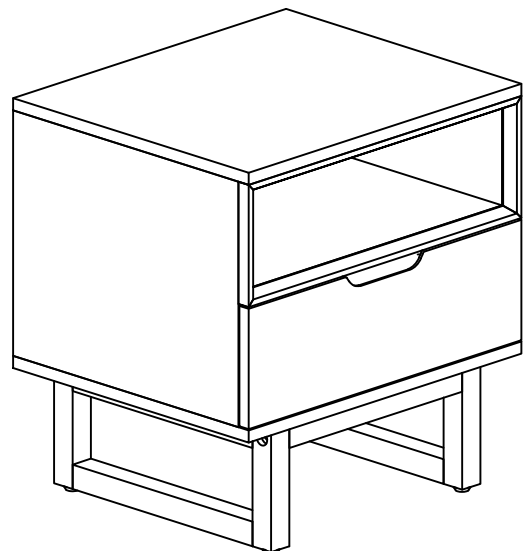
Once the screws are in place, tighten the screw until firmly attached with the allen-wrench (F) provided.

Step 2 :

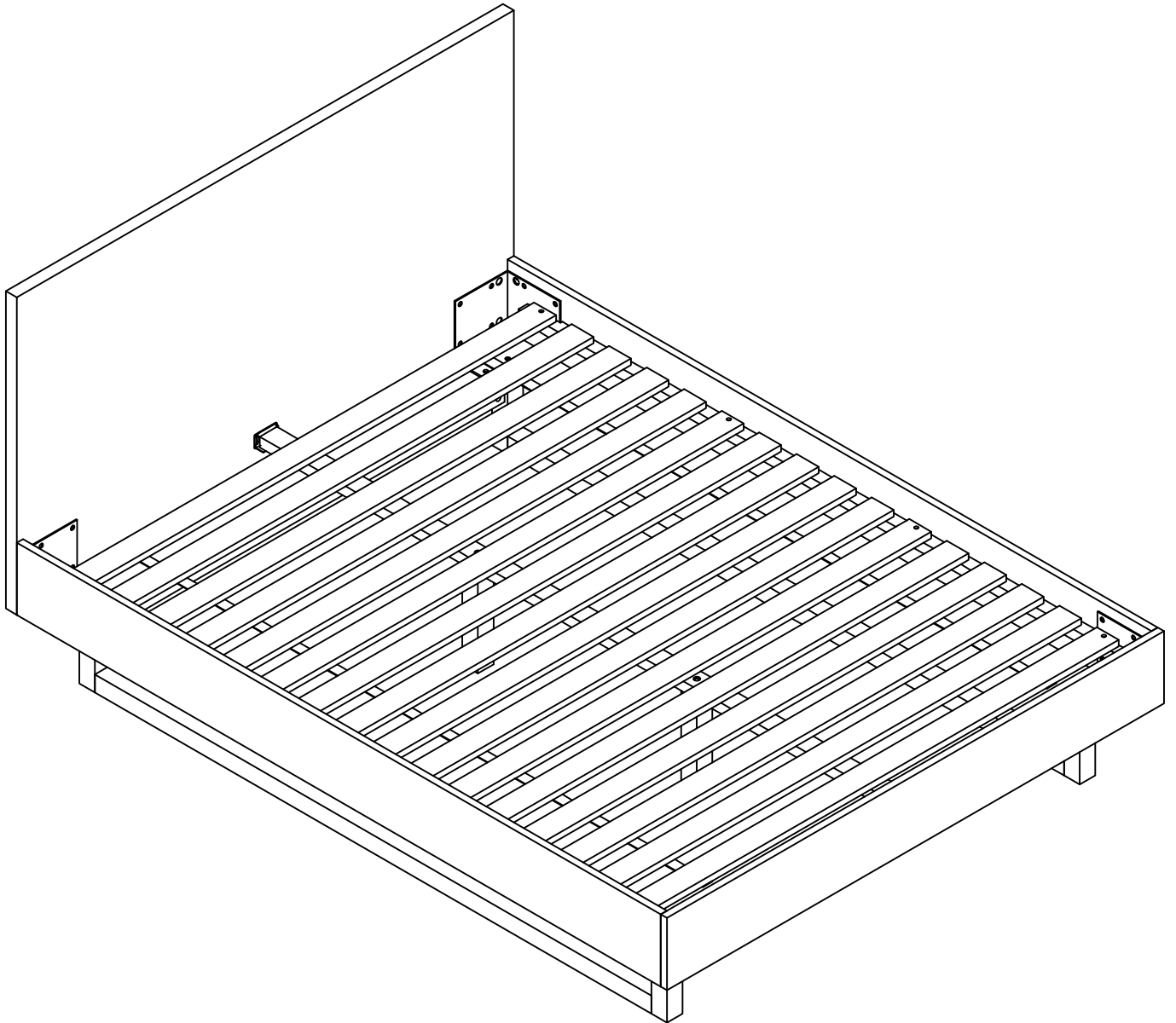
Align the screw holes of the legs (B) with the screw holes of the bottom panel.

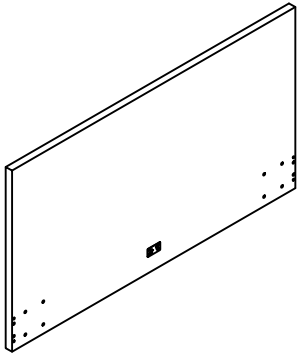
Insert flat washers (D) lock washer (E) and bolt (C) into each hole,

Once the screws are in place, tighten the screw until firmly attached with the allen-wrench (F) provided.

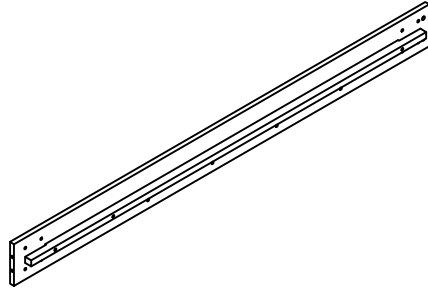


ALDO - QUEENBED

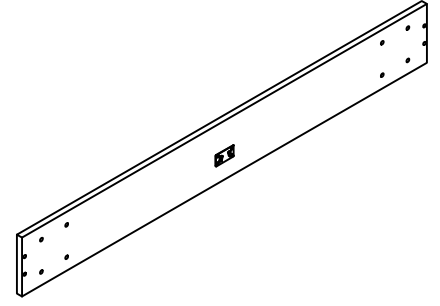




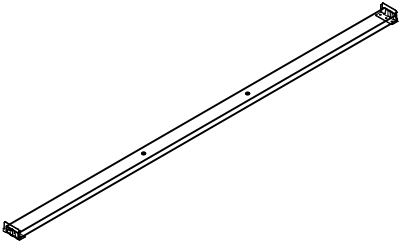
A: Headboard x 1



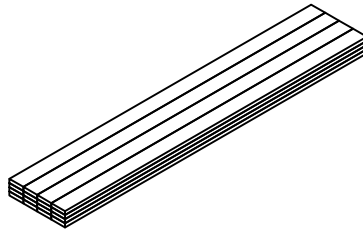
B: Side Panel x 2



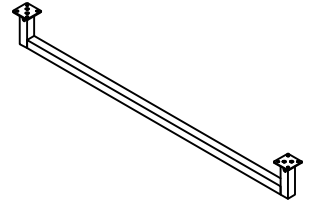
C: Endboard x 1



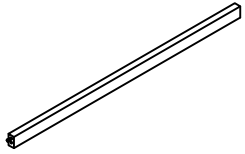
D: Middle bar x 1



E: Slats x 16



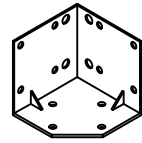
F: Leg x 2



G: Cross bar x 2



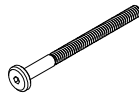
H: Support Leg x 2



I: Corner Bracket x 4



K: Bolt / M8*20mm x 48



P: Bolt M6*70mm x 8



L: Flat Washer / Dia 19mm x 48



Q: Flat Washer / Dia 16mm x 4



M: Lock Washer / Dia 12mm x 48



R: Lock Washer / Dia 10mm x 4



N: Allen wrench x 1



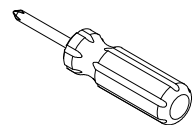
S: Cross dowel x 8



O: Bolt M8*40mm x 2

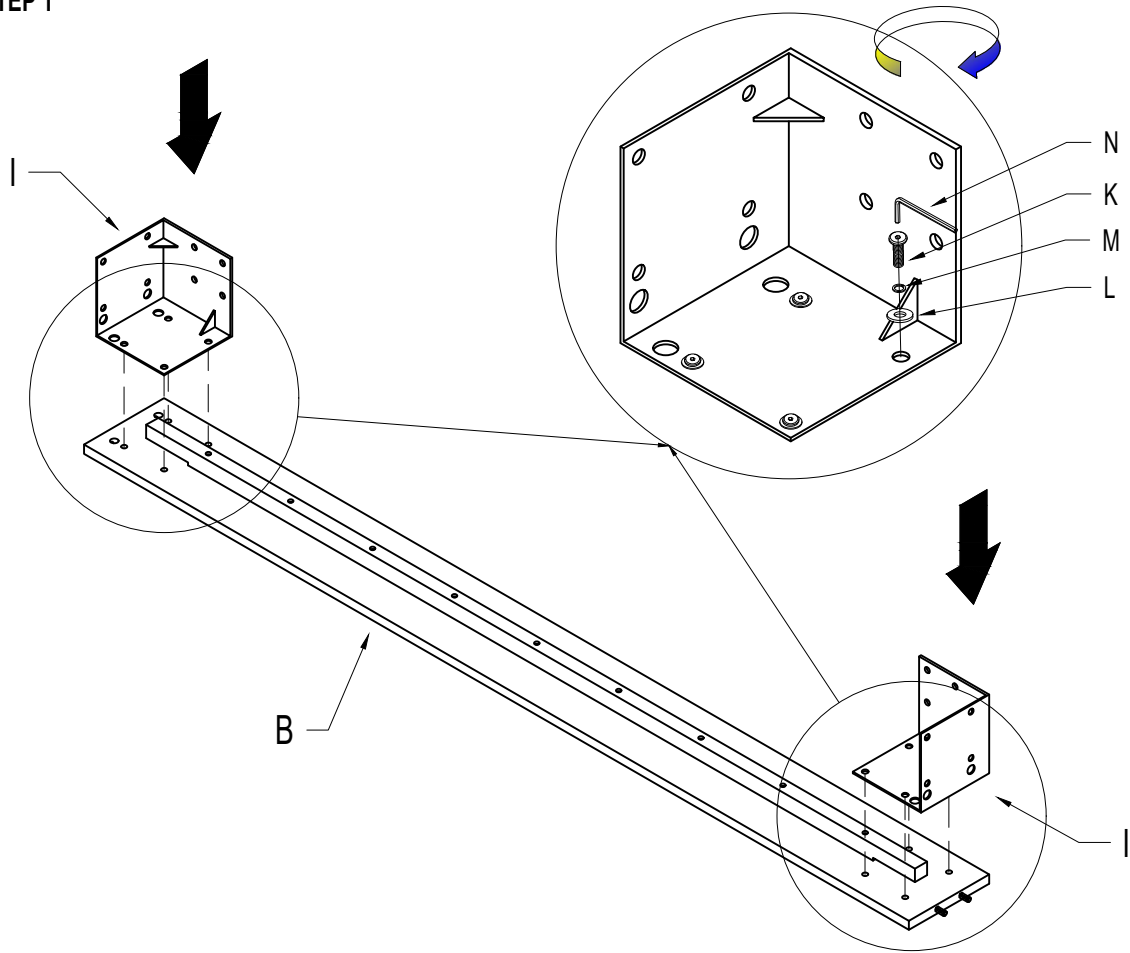


T: Screw / M4*30mm x 8

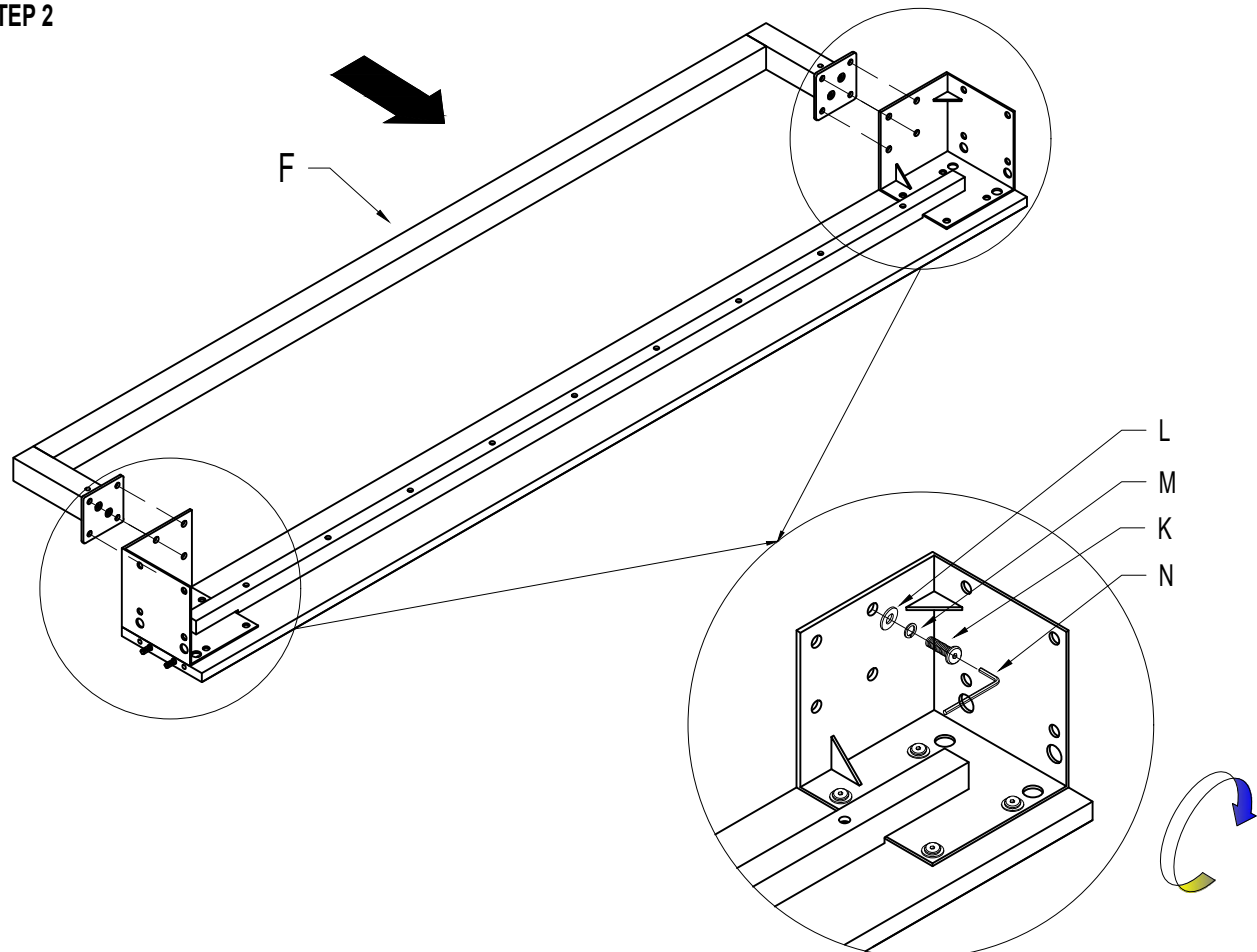


NOT PROVIDED

STEP 1

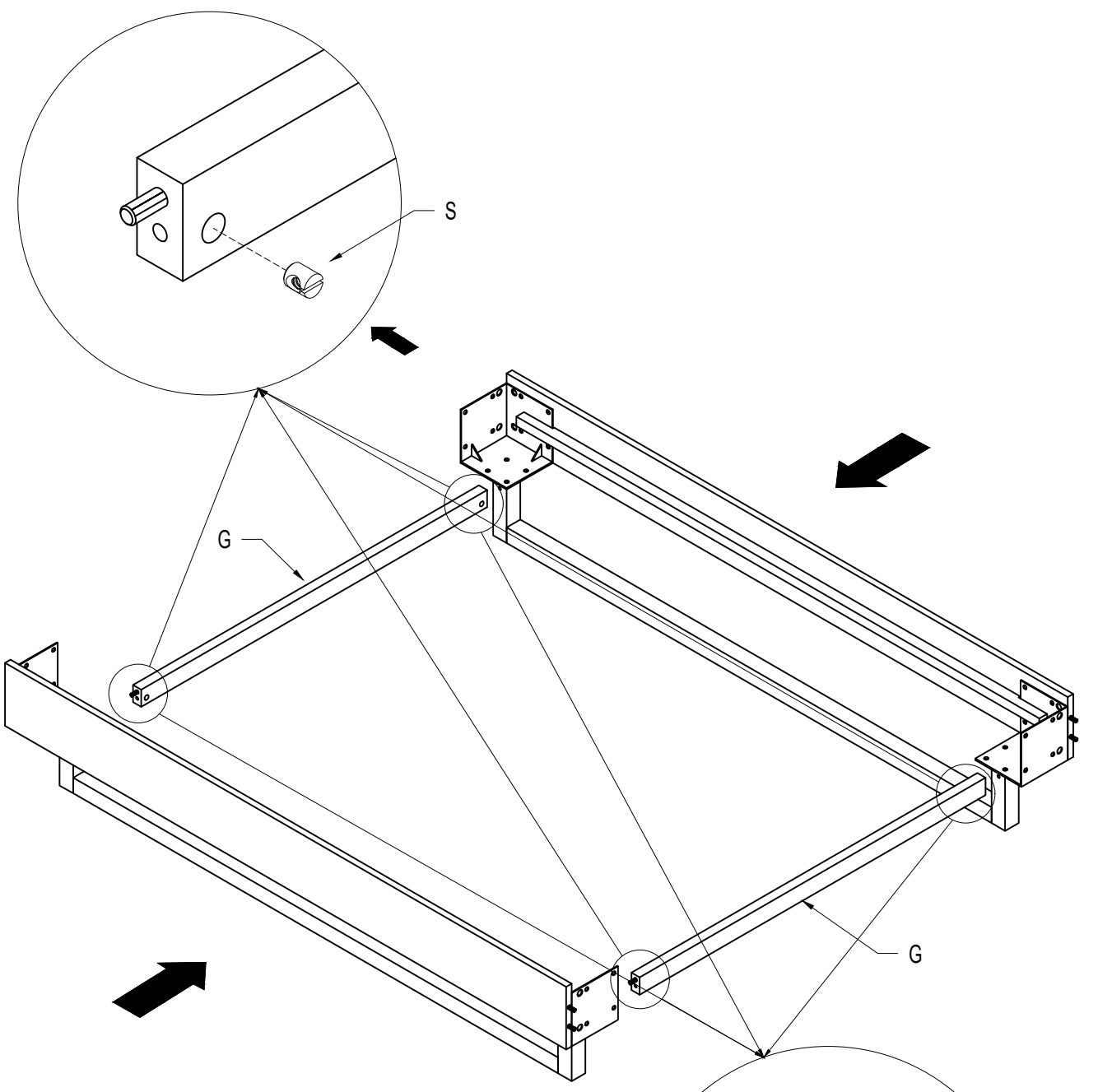


STEP 2

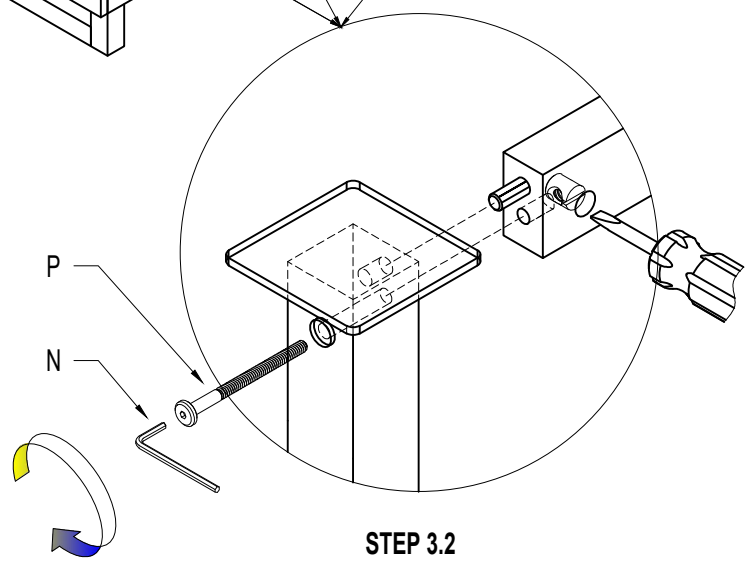


STEP 3

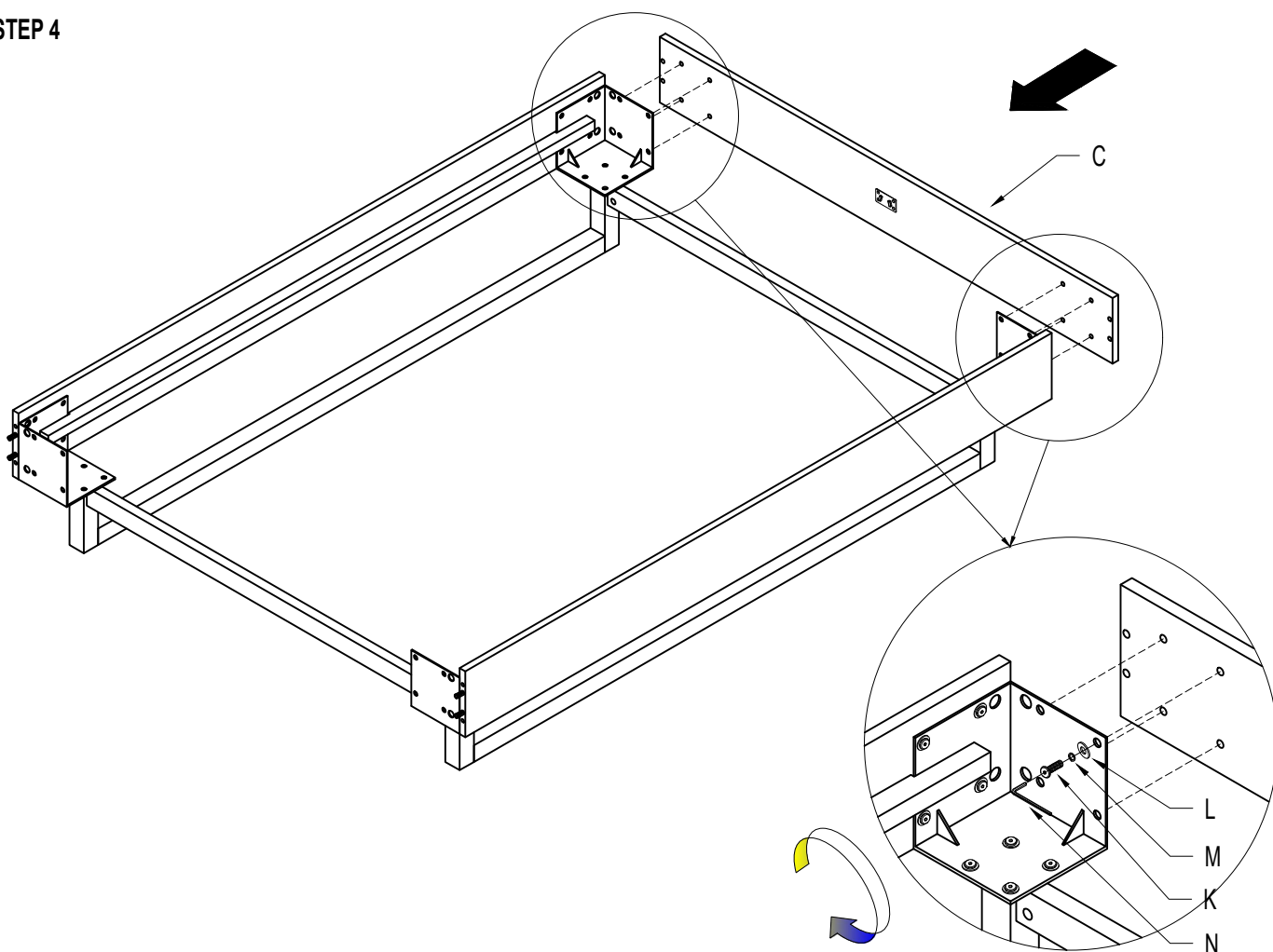
STEP 3.1



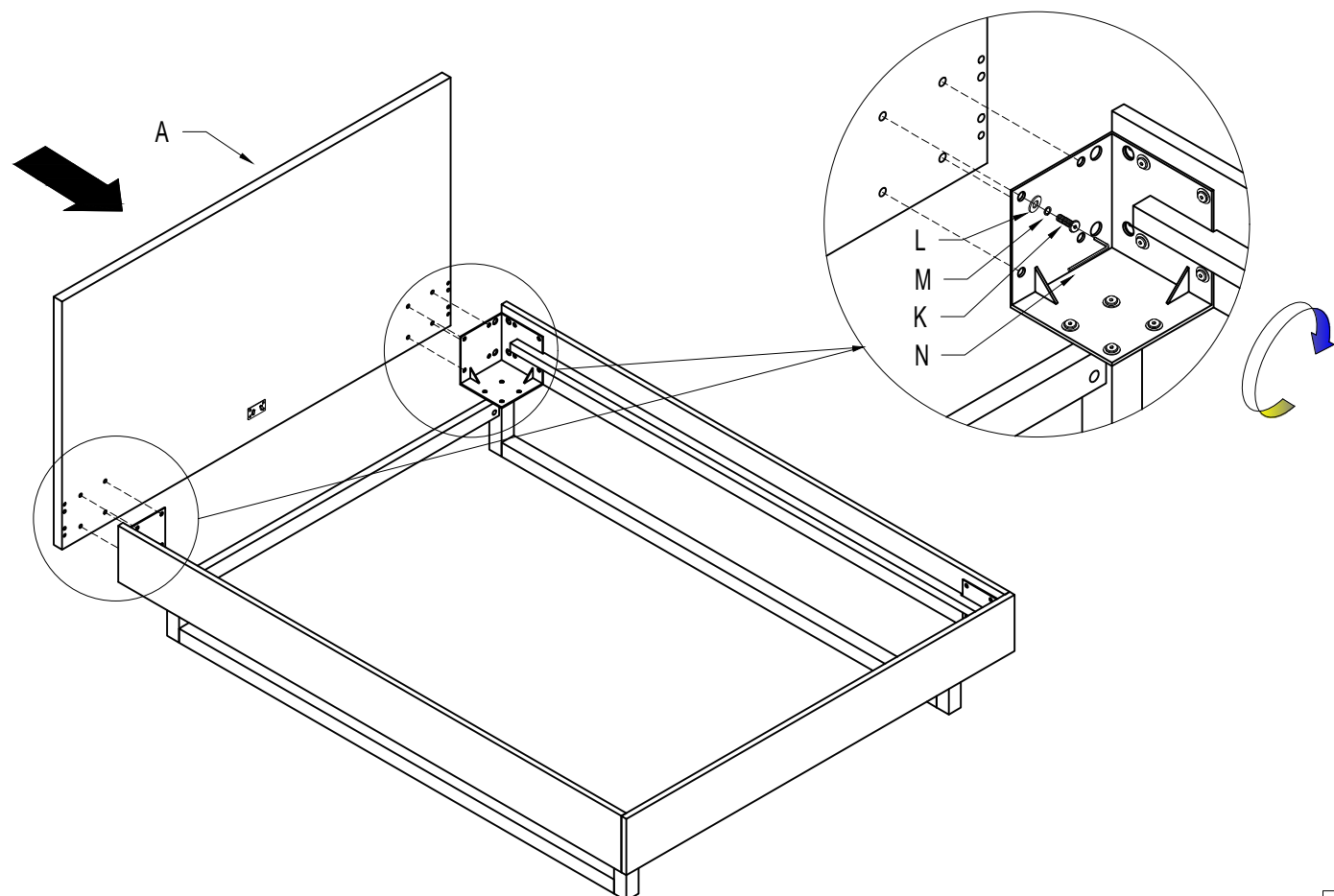
STEP 3.2



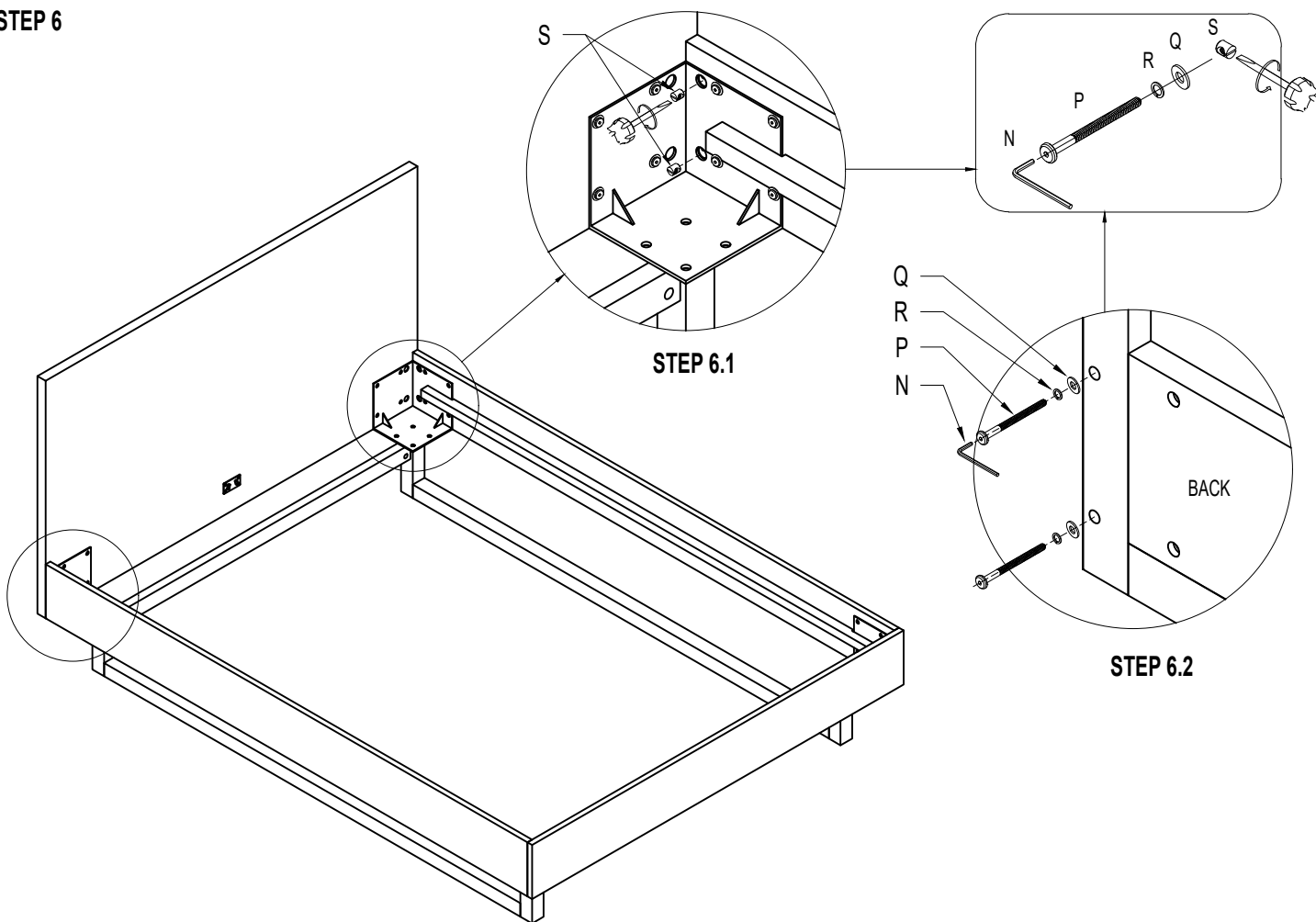
STEP 4



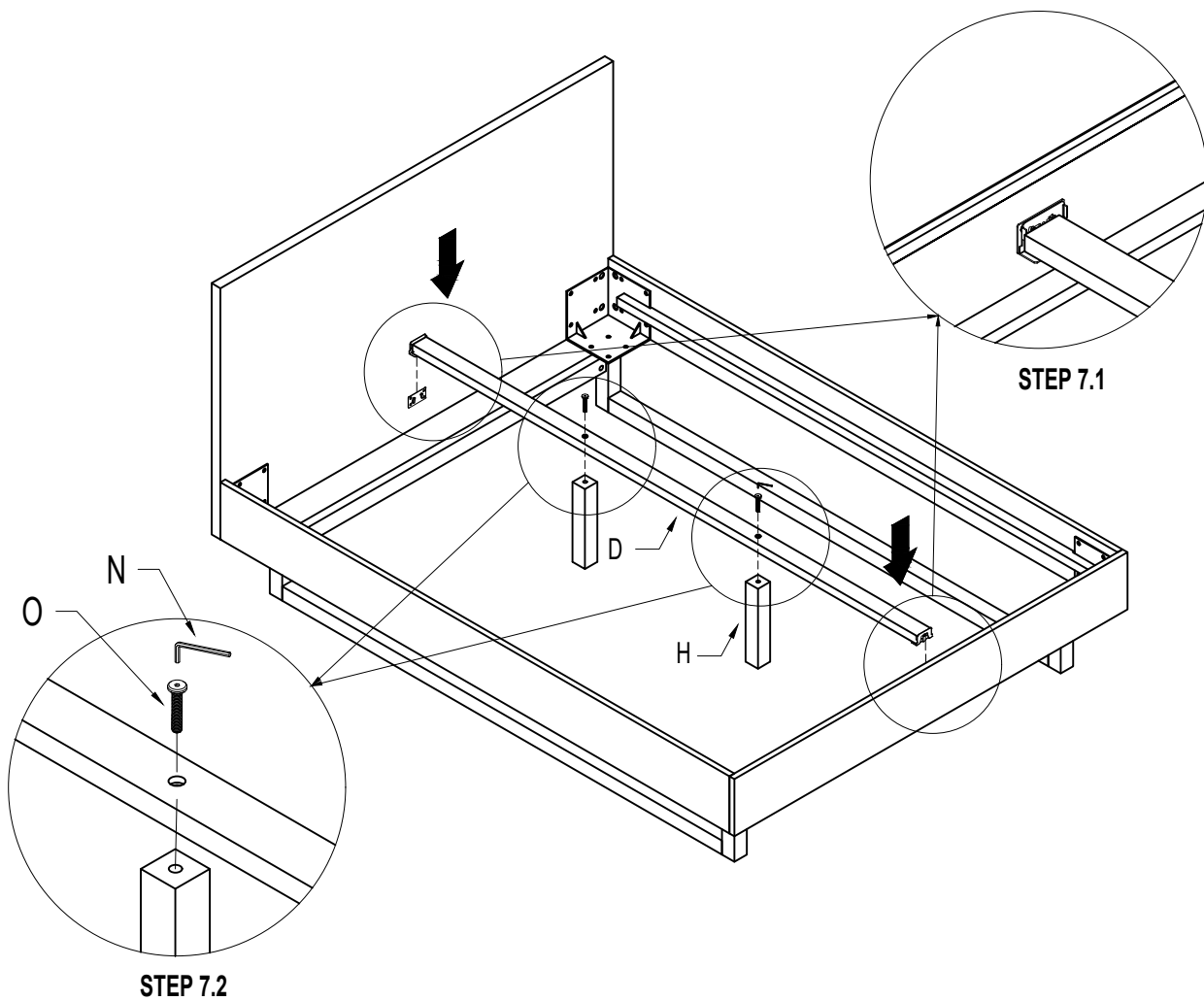
STEP 5



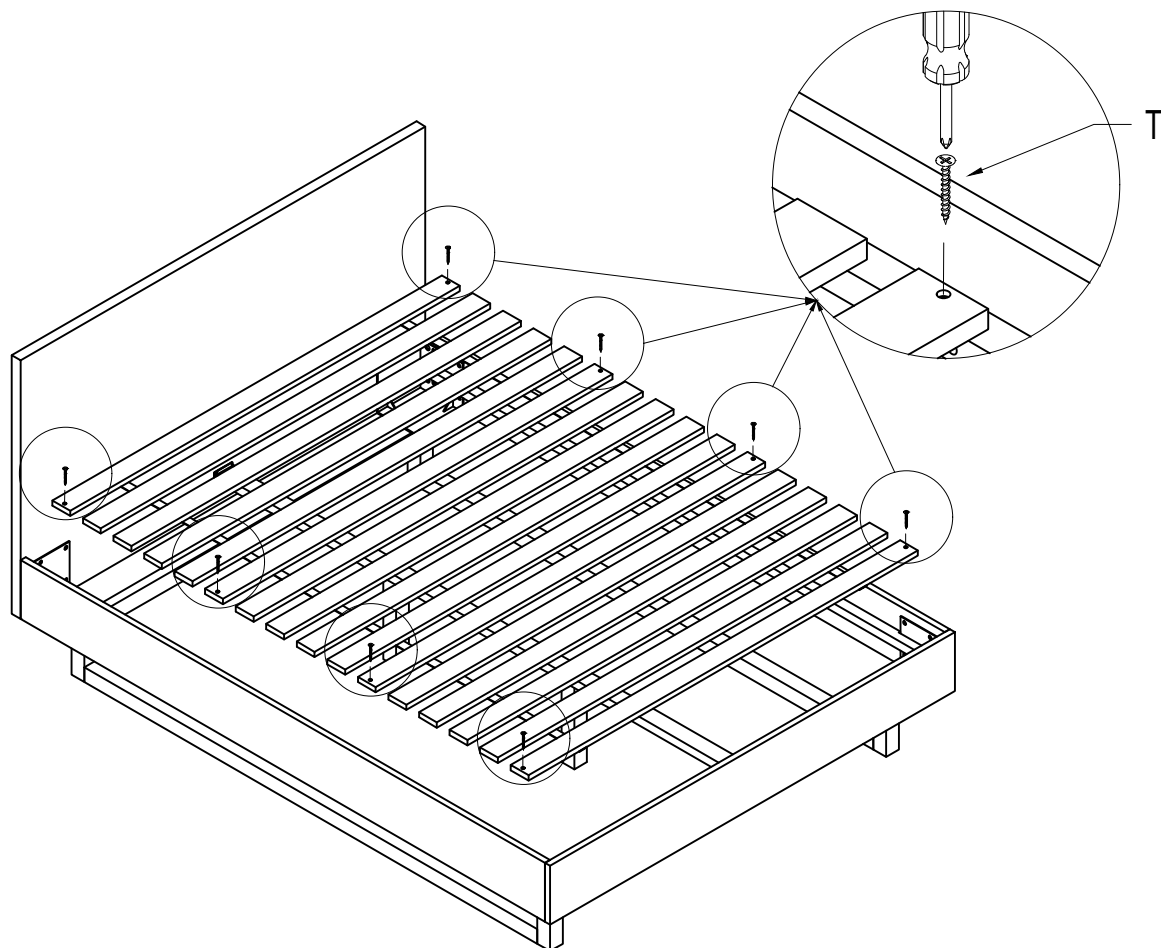
STEP 6



STEP 7



STEP 8



FINISHED

