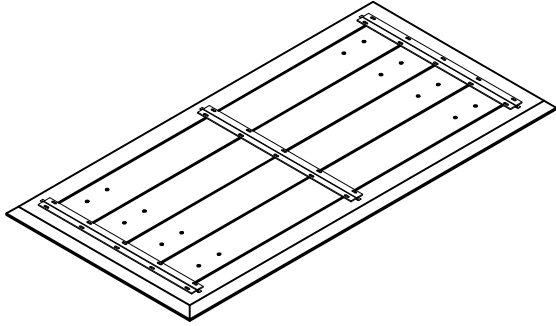
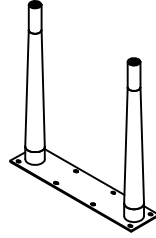


LCTNDIBL



A: TOP x 1



B: Leg x 2



C: Bolt M8*25mm

x16



D: Washer

x16



E: Washer

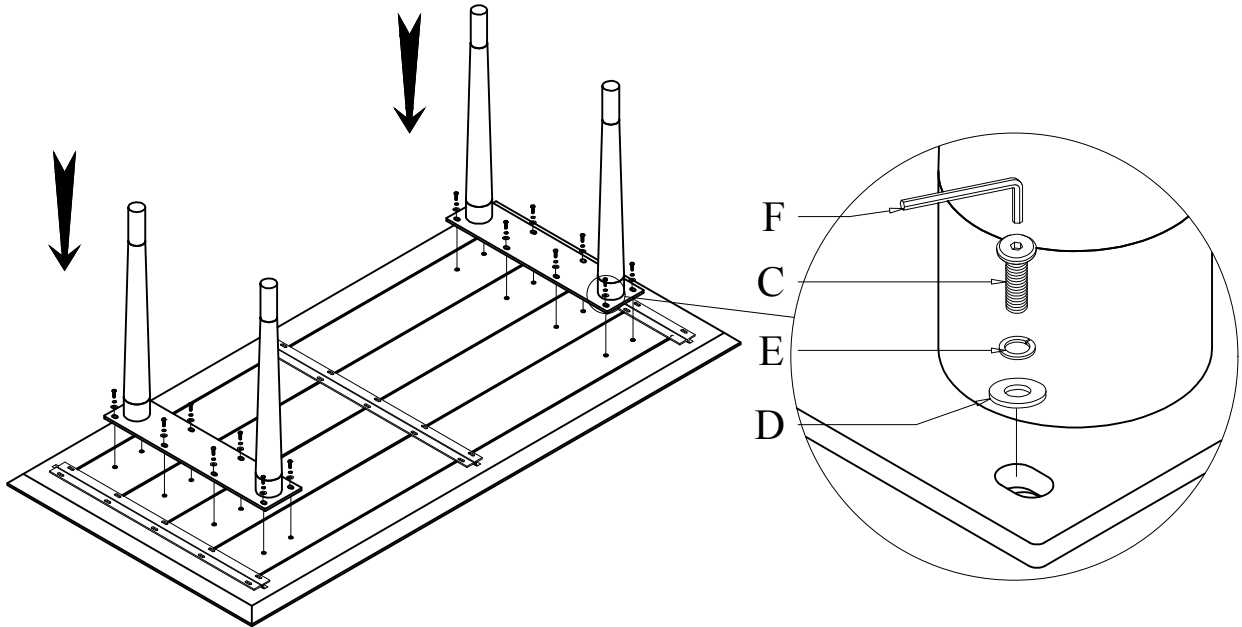
x16



F: Allen wrench

x1

STEP 1



FINISHED

