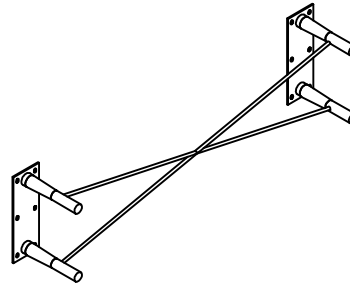
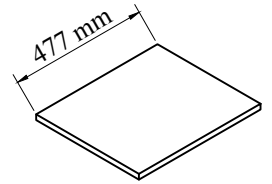


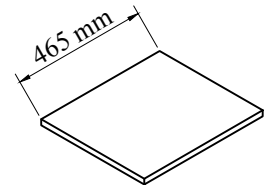
A: Chest x 1



B: Leg x 4

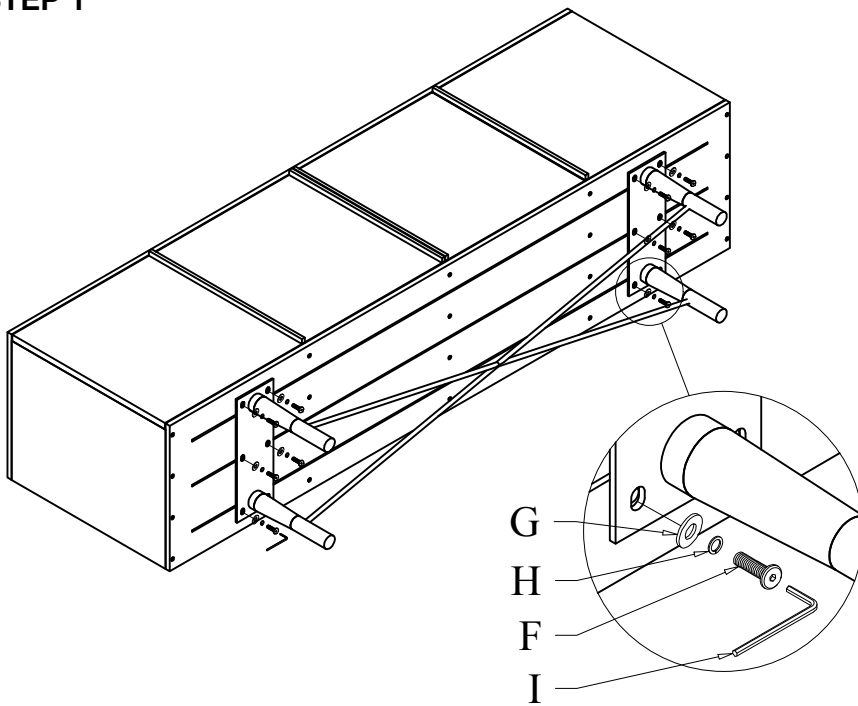


C: Large shelf x 2



D: Small shelf x 2

STEP 1



E: Bolt M8*20mm x 12



F: Washer x 12



G: Washer x 12

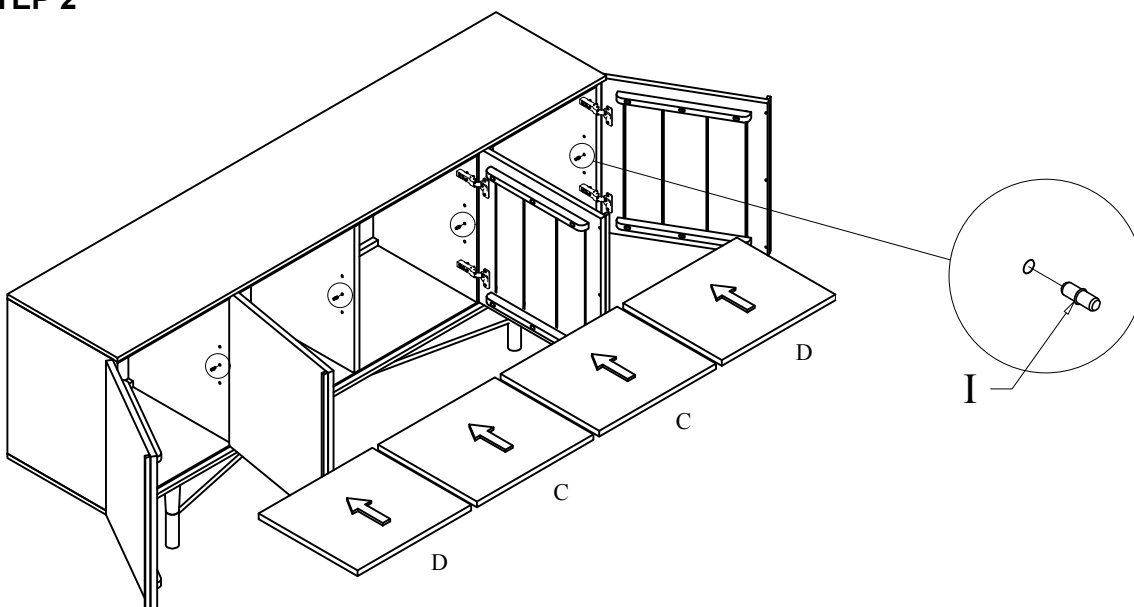


H: Allen wrench x 1

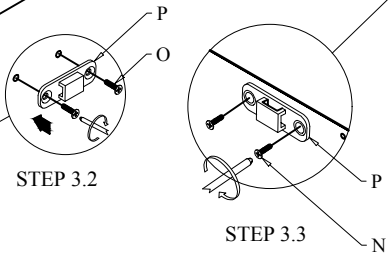
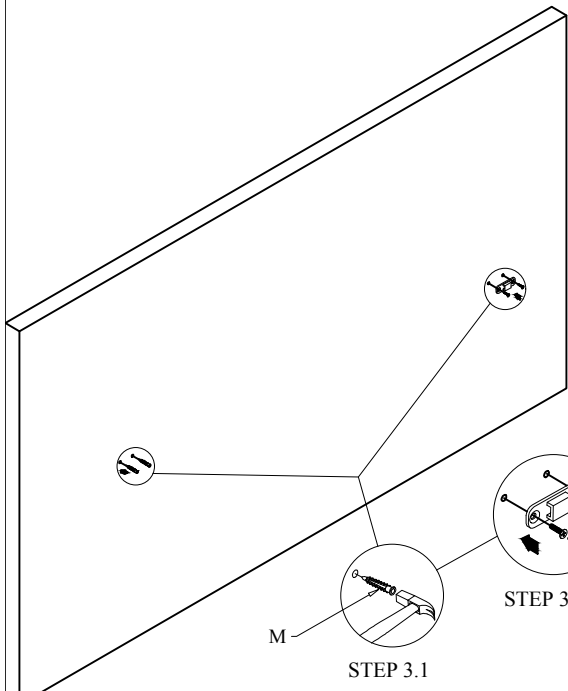






I: Support ting shelf x 16

STEP 2

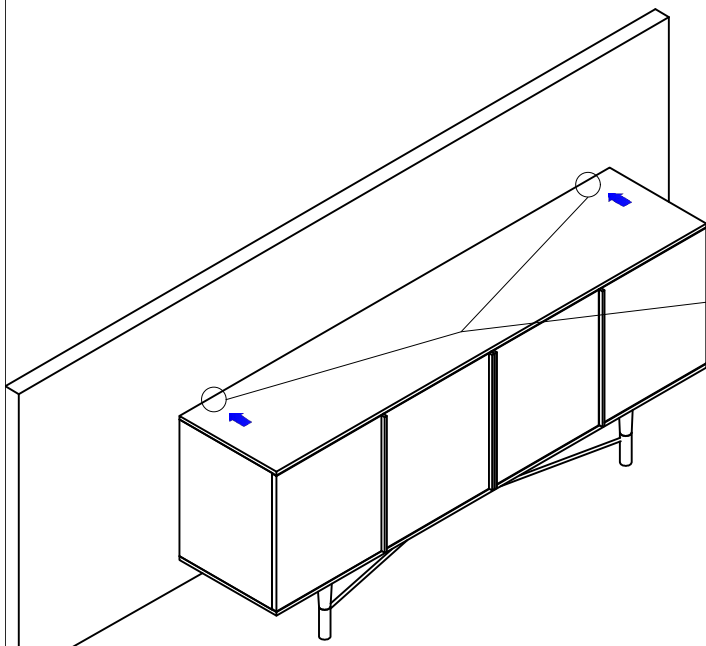



STEP 3

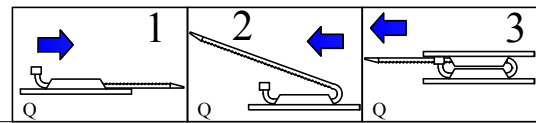
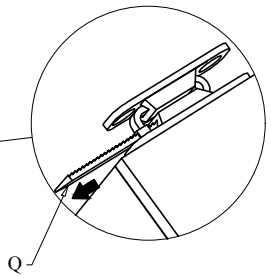


	M: Insert nut M6*50mm x 4
	N: Screw M4*20 x 4
	O: Screw M4*40 x 4
	P: Anti flib A x 4

STEP 4



	Q: Anti flip B x 2
---	--------------------



FINISHED

