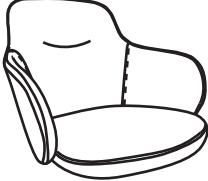

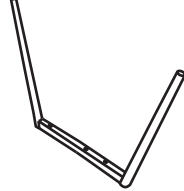

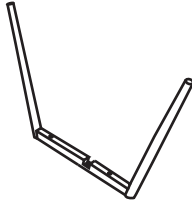

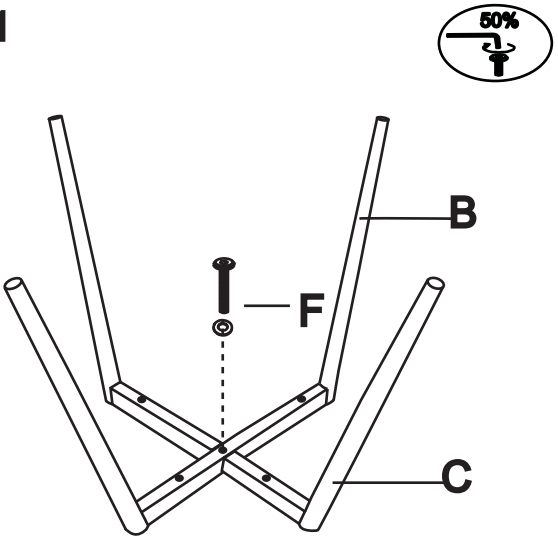
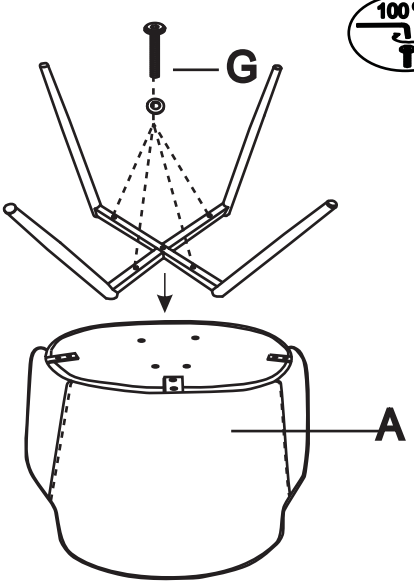
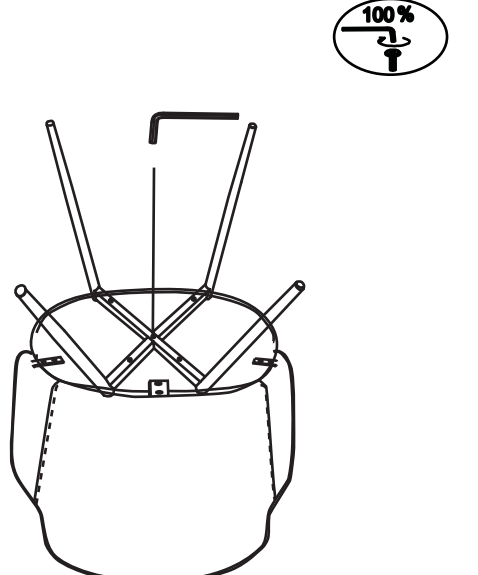



# Assmeby Instruction

<b>A*1</b>		<b>F*1+1EXT</b>	 <b>M6*30MM</b>
<b>B*1</b>		<b>G*4+1EXT</b>	 <b>M6*45MM</b>
<b>C*1</b>		<b>L*1</b>	 <b>M4</b>

<b>STEP 1</b>  <b>50%</b>	<b>STEP 2</b>  <b>100%</b>
---	--

<b>STEP 3</b>  <b>100%</b>	<b>STEP 4</b> 
---	--