



Product Assembly Instructions

LCTASIGRBL / LCTASIGRWA

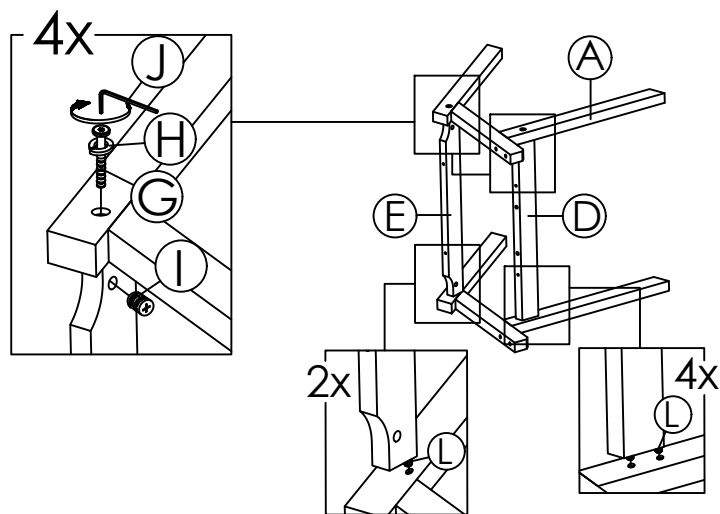
PART LIST

<p>A: SIDE LEGS (L & R) x2</p>	<p>B: CUSHION SEAT x1</p>	<p>C: CUSHION BACK REST x1</p>
<p>D: FRONT APRON x1</p>	<p>E: BACK APRON x1</p>	

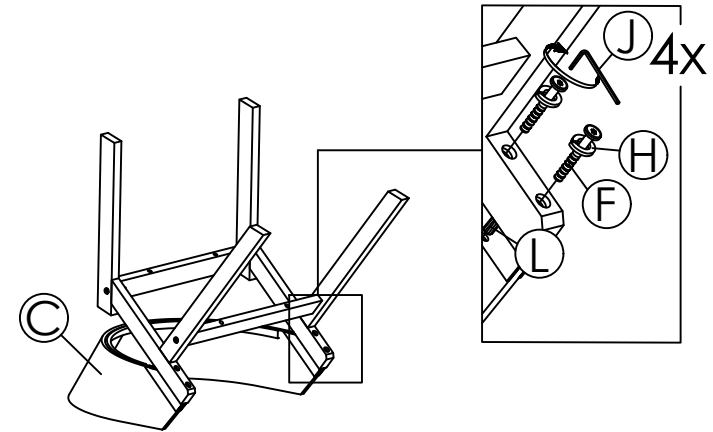
HARDWARE LIST

<p>F: JCBC SCREW M6 x 40MM x4</p>	<p>G: JCBC SCREW M6 x 70MM(BLK) x4</p>	<p>H :SPRING WASHER 1/4" x4</p>
<p>I: BARREL NUT M6 x 13MM x4</p>	<p>J: ALLEN KEY M4 (BALL SHAPE)LONG x1</p>	<p>K :PAN HEAD WOOD SCREW M5 X 32MM x4</p>
<p>L : WOOD DOWEL DIA 8 x 35MM x8</p>	<p>M :WOOD DOWEL DIA 8 x 25MM x2</p>	<p>N :SPRING WASHER 1/4" (BLK) x4</p>

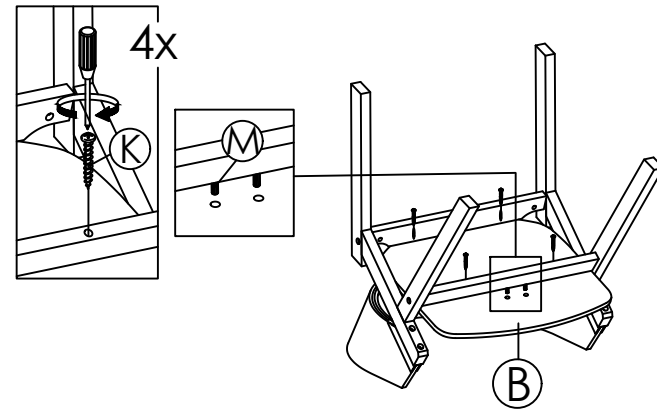
STEP 1



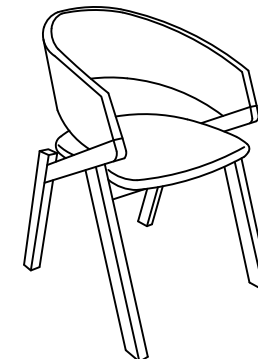
STEP 2



STEP 3



STEP 4



ASSEMBLY COMPLETED