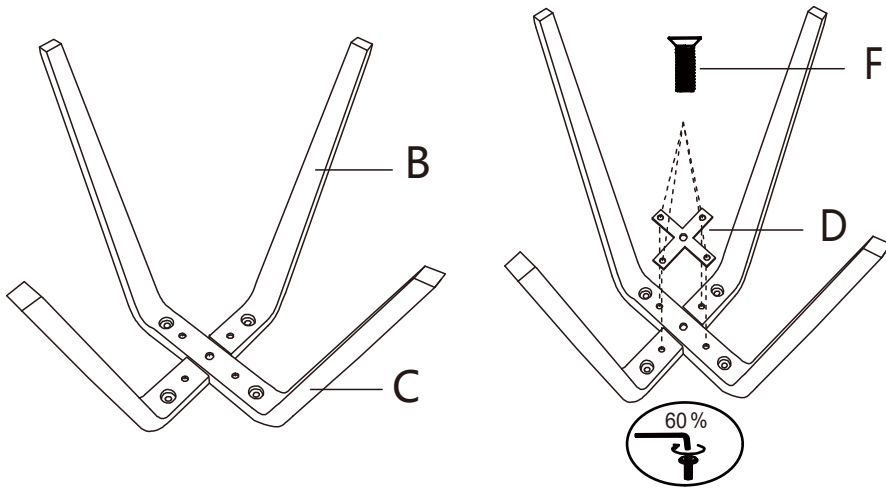









Product Assembly Instructions

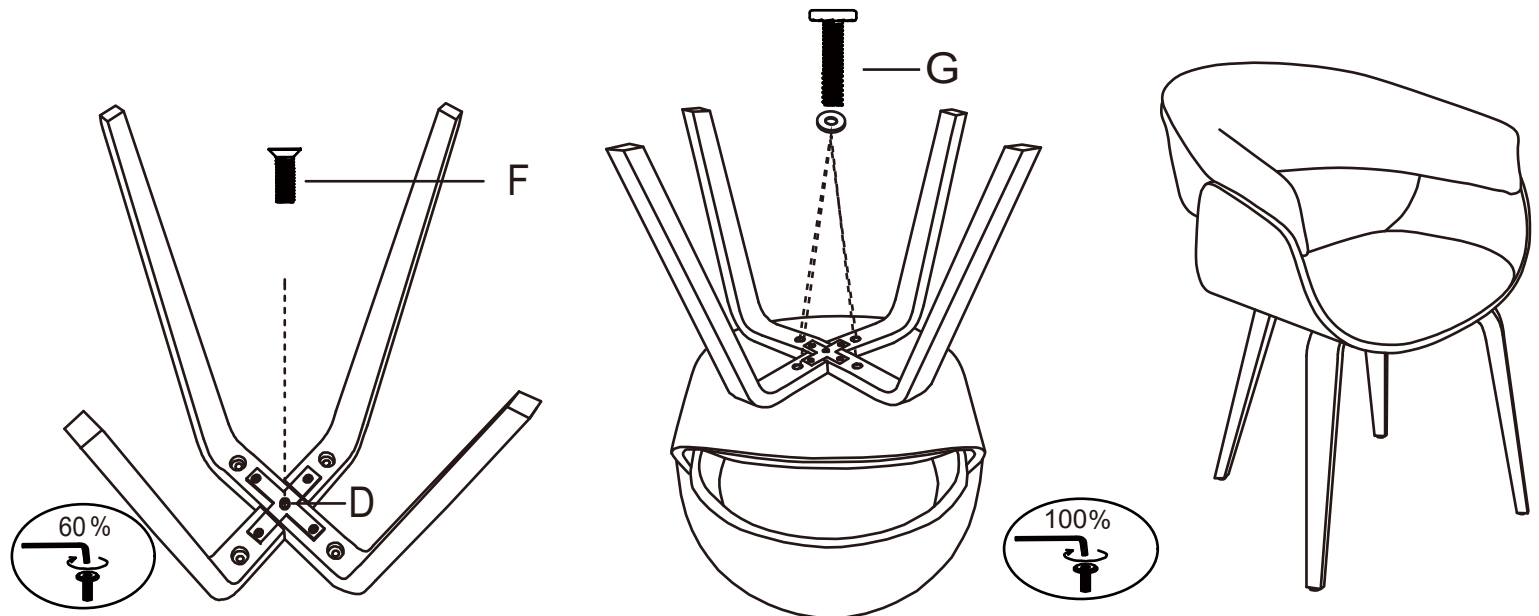
Item#: Summer Chair

Helpers needed to assemble: 1
 Estimated time frame to assemble: 20 minutes



#	Picture	Description	Quantity
A		Seat	1
B		Leg	1
C		Leg	1
D		Plate	1
F		Bolts(M6x30)	5+1EXT
G		Bolts(M6x45)	4+1EXT
L		Allen Key	1

- * **Step 1:** Put Leg (C) upon Leg (B) as above drawing.
- * **Step 2:** Use Allen Key (L) to slightly tighten Metal Part (D) to Leg (B) and Leg (C) with 4 Screws (F).

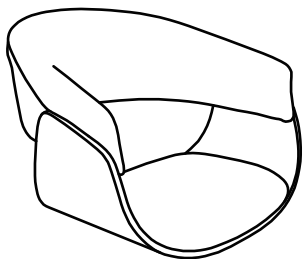


- * **Step 3:** Use Allen Key (L) to slightly tighten Leg (B) and Leg (C) with 1 Screw (F).
- * **Step 4:** Use Allen Key (L) to tighten Leg (B) and Leg (C) to Seat (A) with 4 Screws (G) and 4 washers.
- * **Step 5:** Tighten All Screws on previous steps. The Assembly of the chair is finished.
- * **Step 6:** Sit and enjoy your new chair.

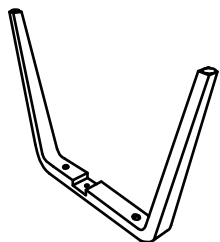
WEIGHT CAPACITY: 225 lbs.

* Keep the Allen Key and tighten all screws every 3 months for your safety!

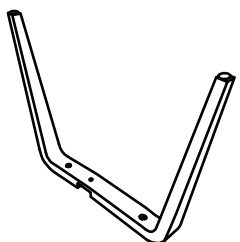
Ax1



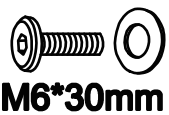
Bx1



Cx1



Fx1+1EXT



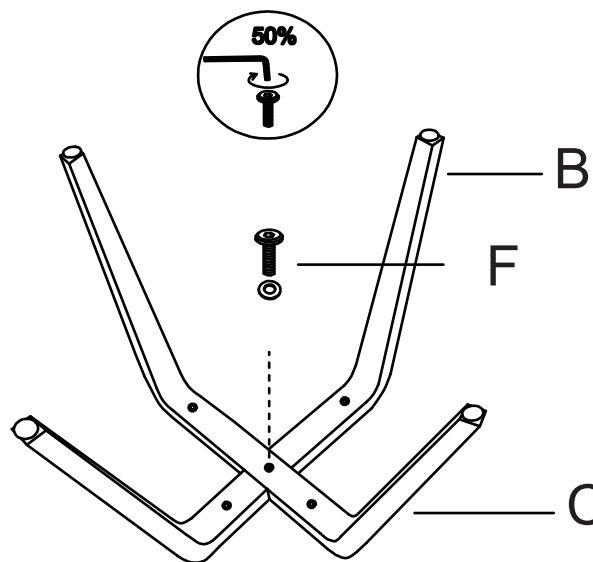
M6*30mm

Gx4+1EXT

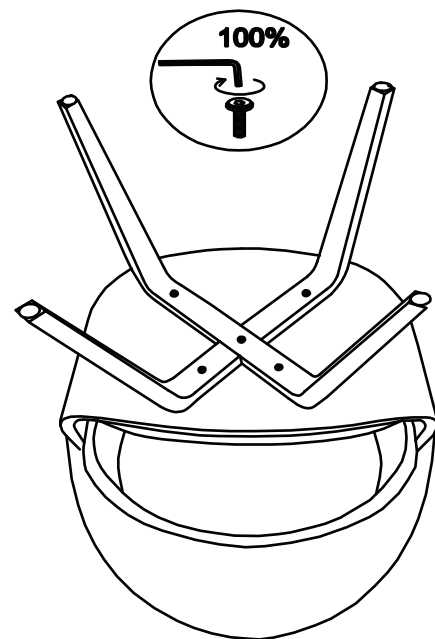


M6*45mm

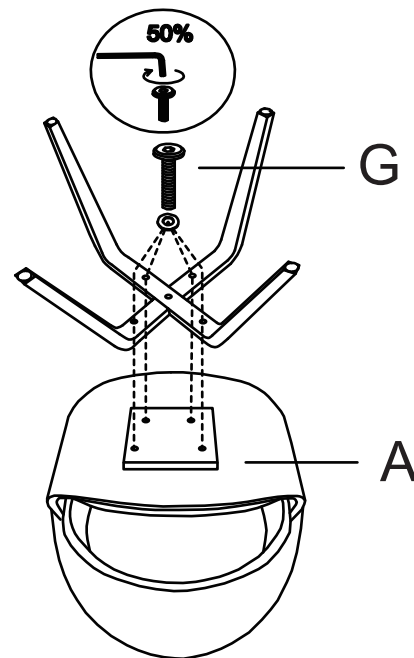
Lx1



1



3



2



4