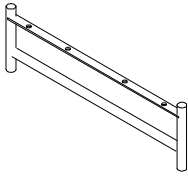
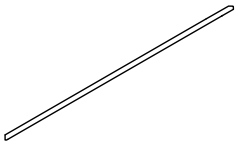
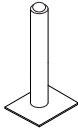
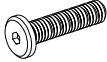



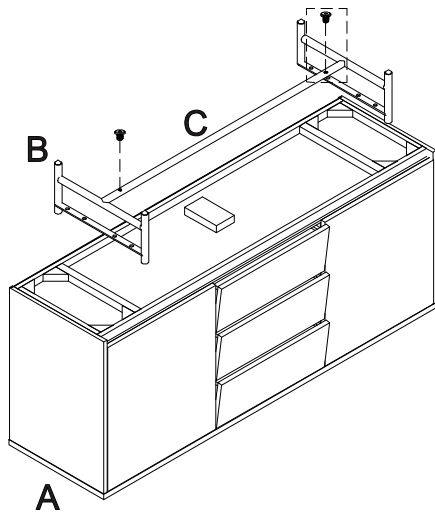
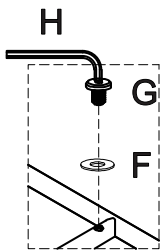
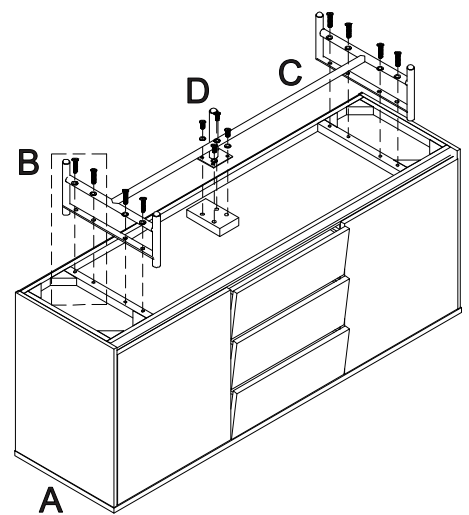
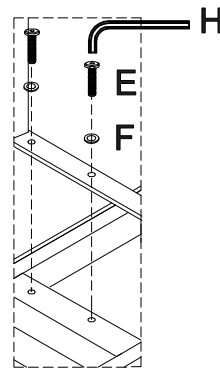
 <p>A: Chest x1</p>	 <p>B: Leg x2</p>	 <p>C: Metal bar x1</p>	 <p>D: Middle leg x1</p>	 <p>E: Bolt M6*20mm x12</p>  <p>F: Washer x14</p>  <p>G: Bolt M6*15mm x2</p>  <p>H: Allen wrench x1</p>
---	--	--	---	---

STEP 1



STEP 2



STEP 3

