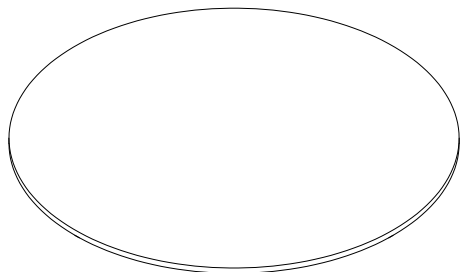
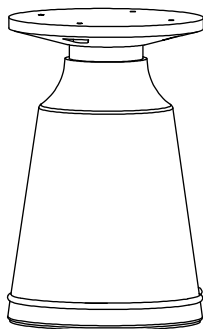


Product Assembly Instructions

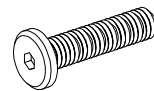
SPIN-DT100-01



A : Top x1



B : Base x1



C: Bolt M8*55mm x4

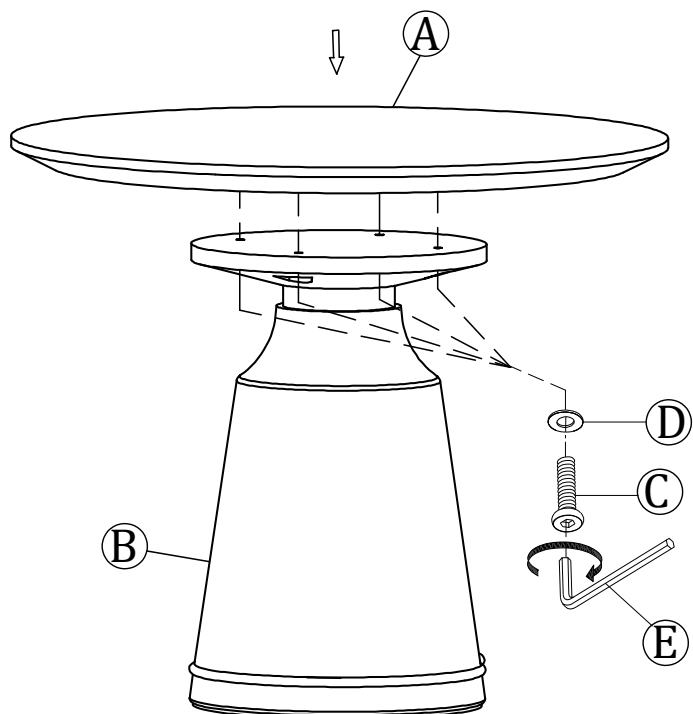


D: Washer x4



E: Allen key x1

STEP 1



STEP 2

