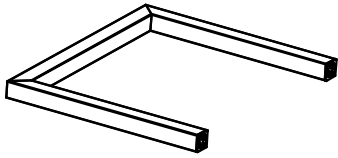
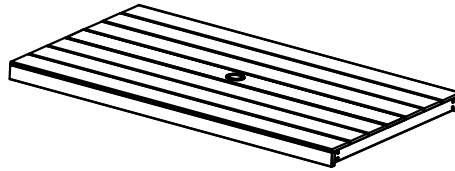


## LCSLDIGR



A: Leg x2



B: Top x1



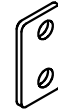
C: Bolt M8\*45 x8



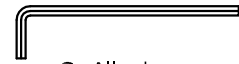
D: Spring washer x8



E: Washer x8

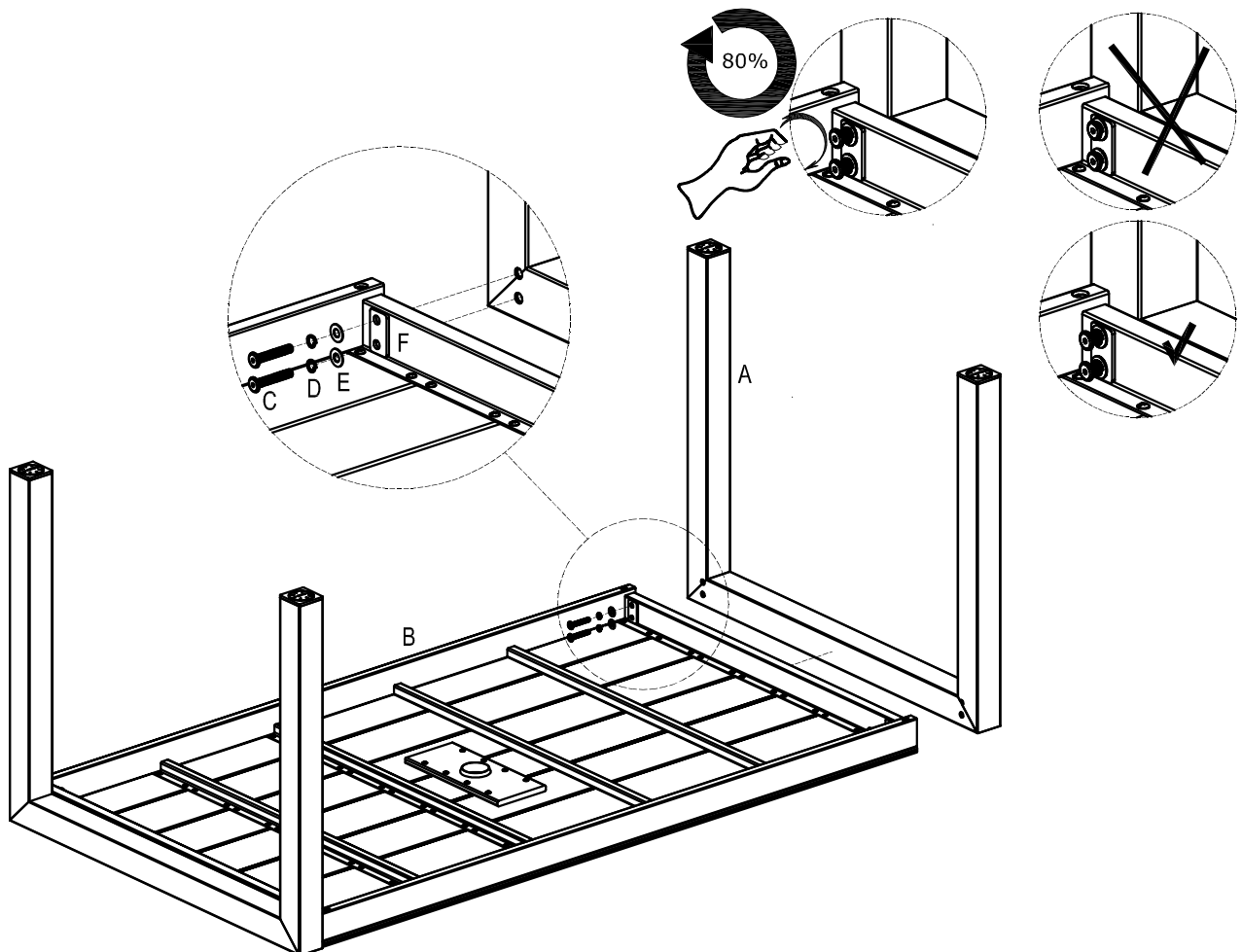


F: Pat I x4

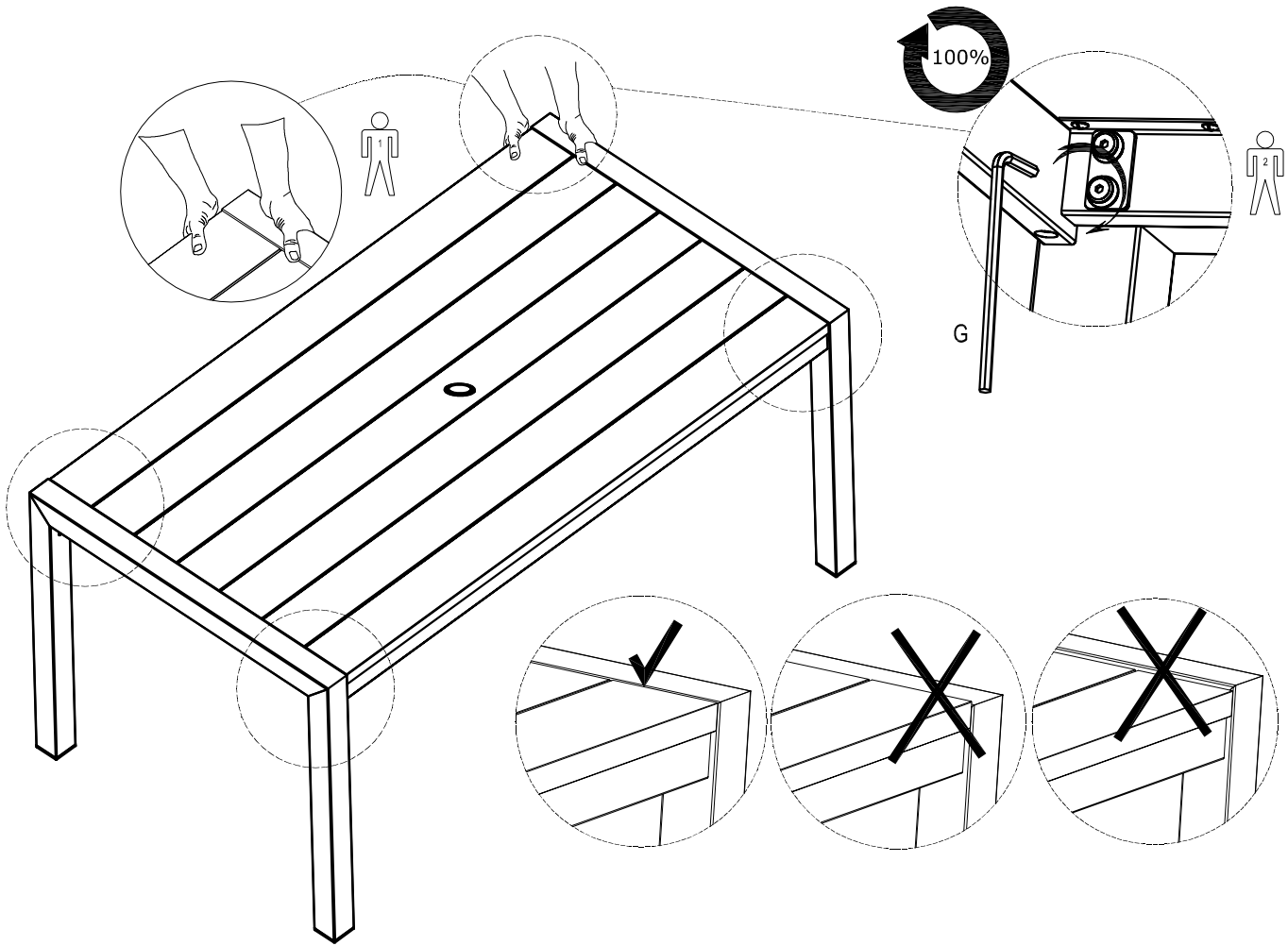


G: Allenkey wrench x2

### STEP 1



STEP 2



STEP 3

