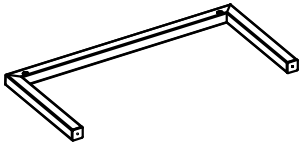
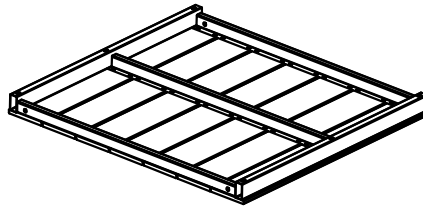


LCSLCOGR



A: Leg x2



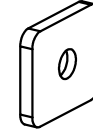
B: Top x1



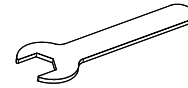
C: Bolt M8*45 x4



D: Washer x4

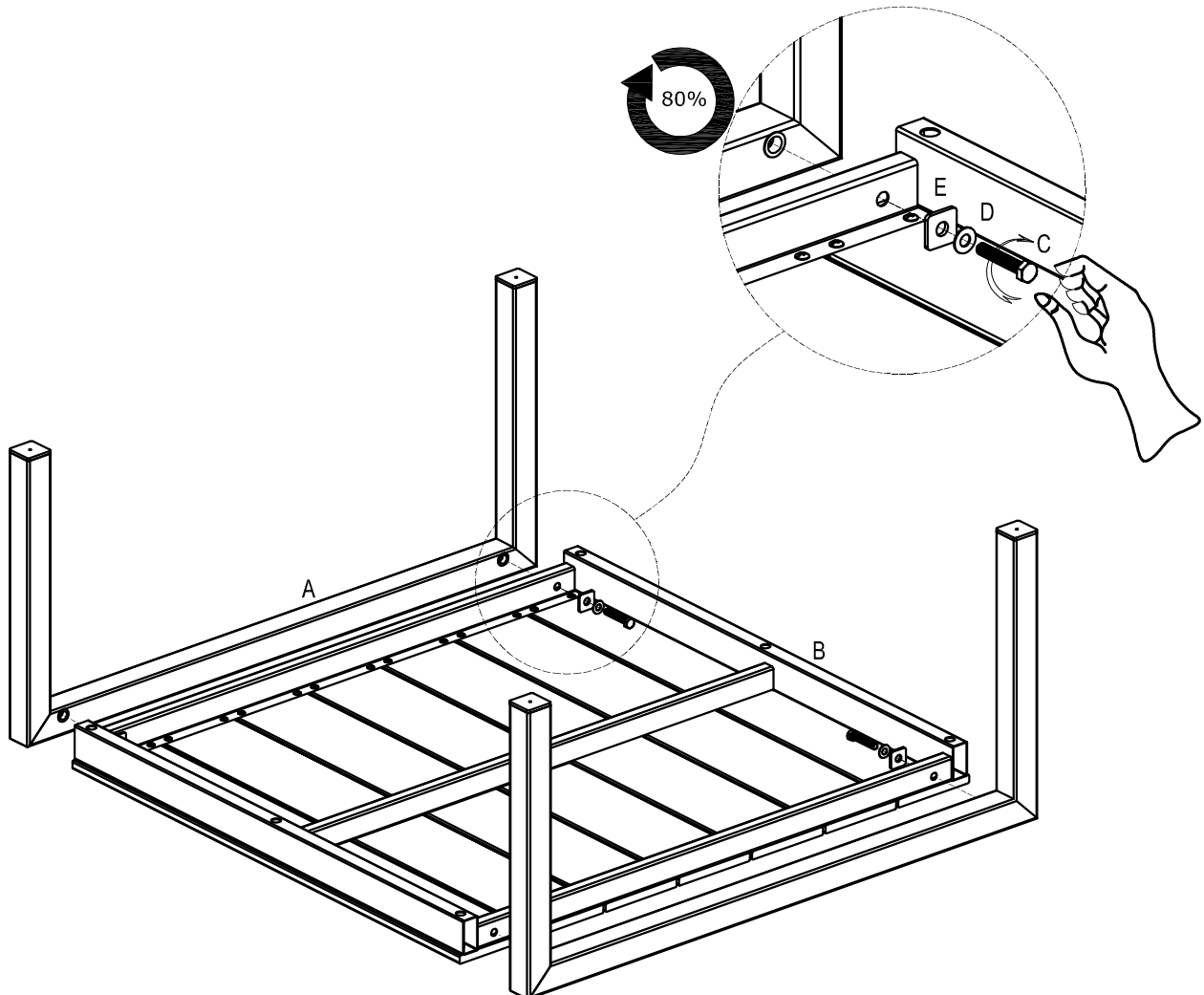


E: Pat I x4

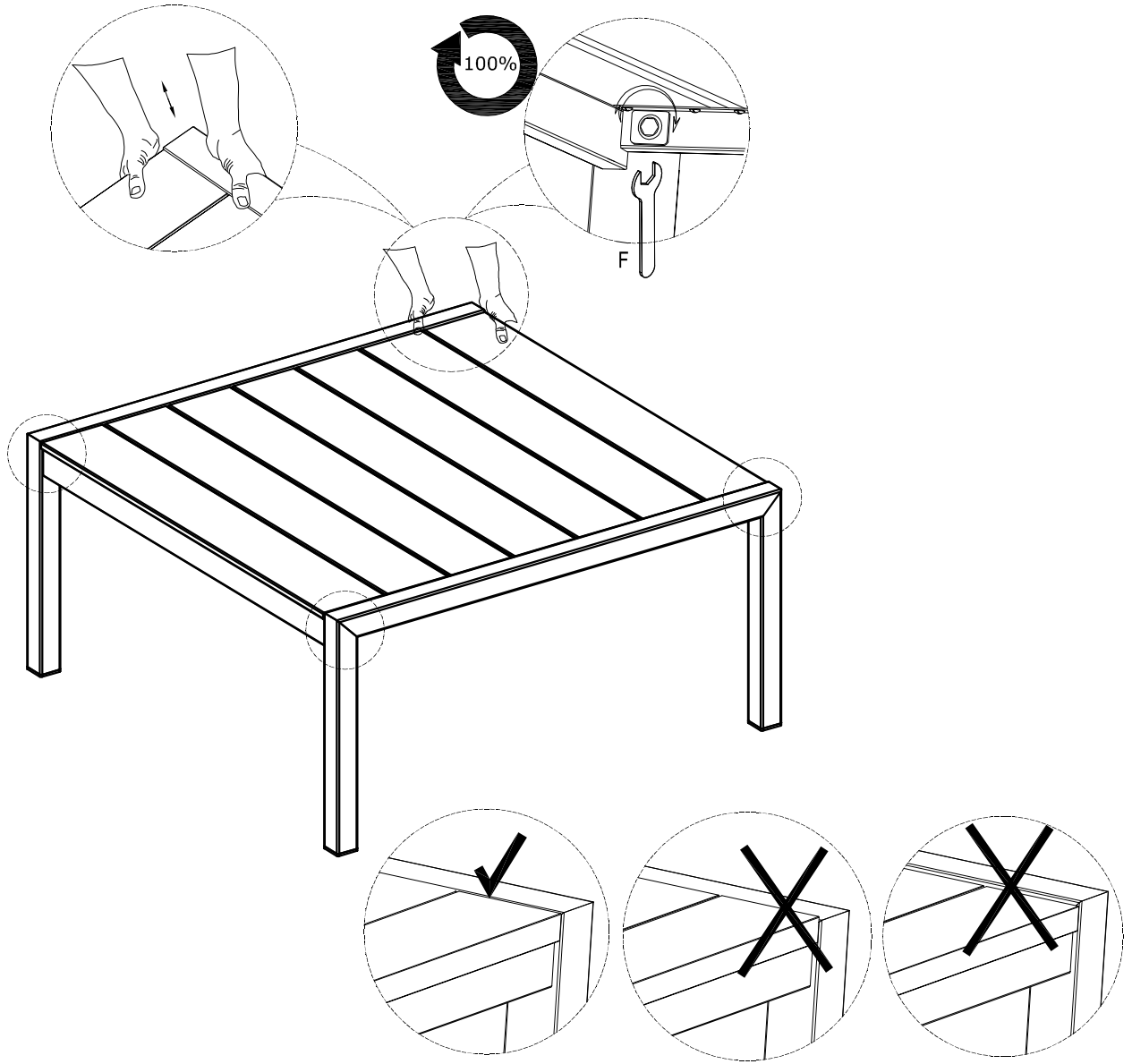


F: Spanner x1

STEP 1



STEP 2



STEP 3

