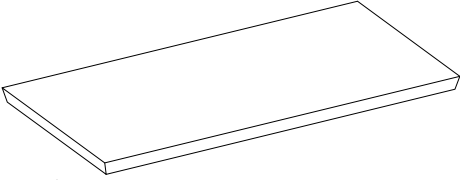
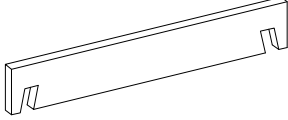
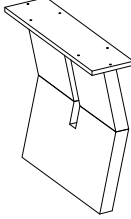



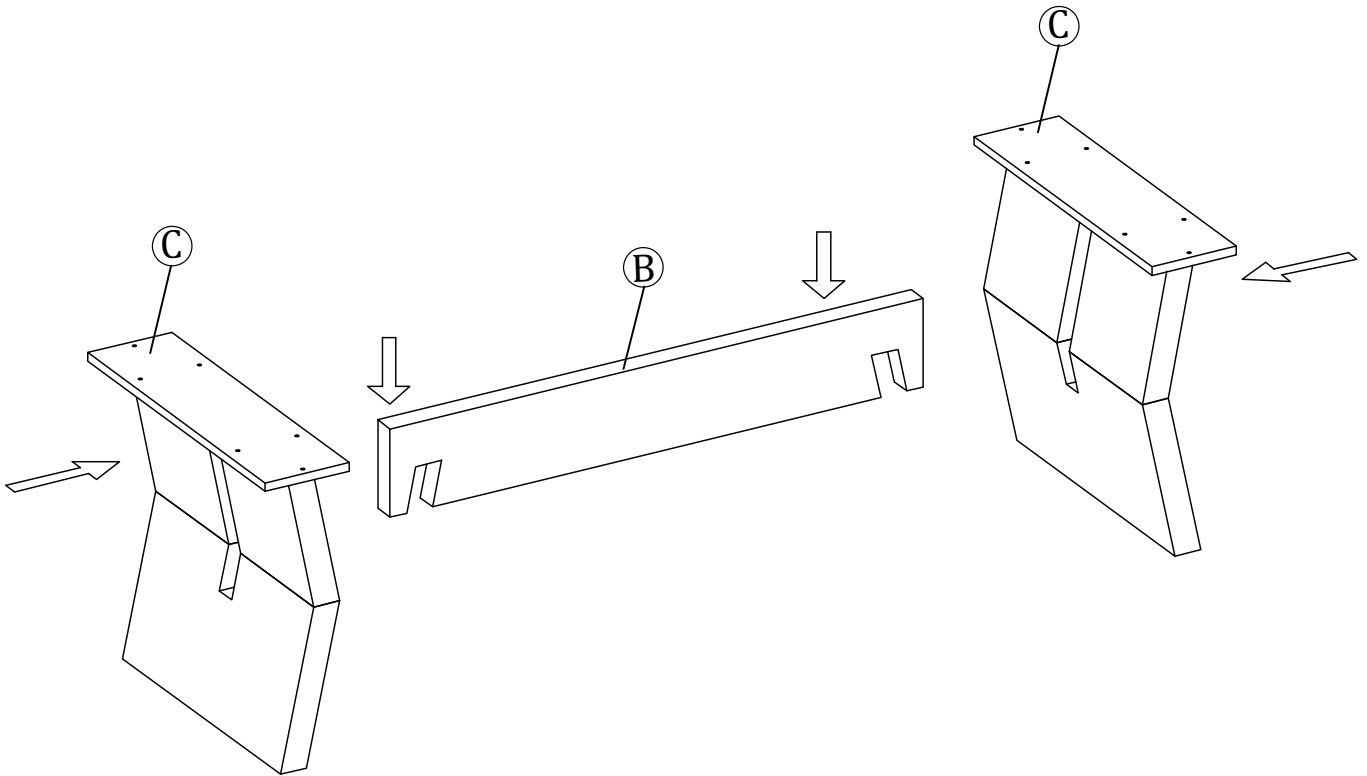


Product Assembly Instructions

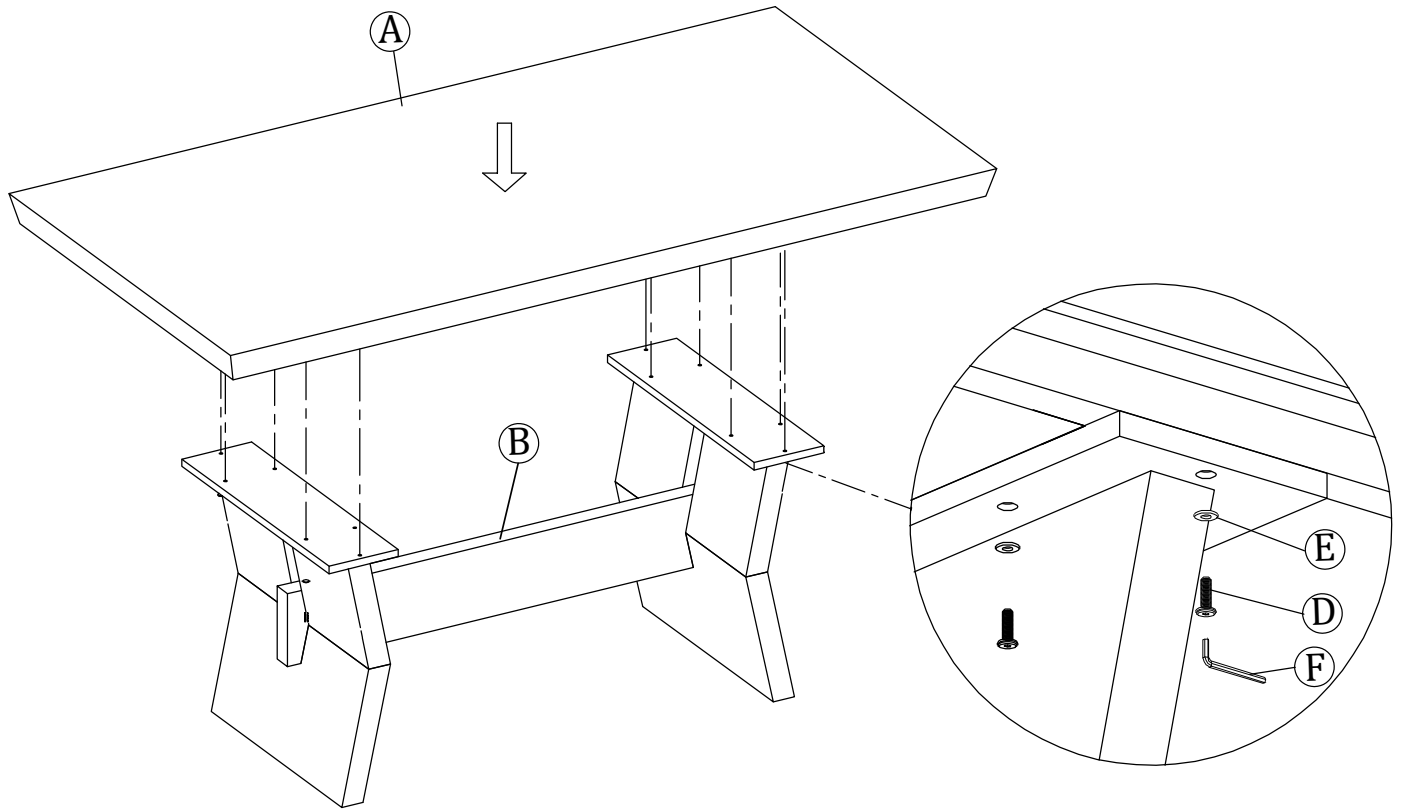
VEGA-DT220-01

 <p>A : Top x 1</p>	 <p>B : Middle Stretcher x 1</p>	 <p>C : Leg x 2</p>	 D : Bolt M8*35mm x12  E: Washer x12  F: Allen key x1
--	--	--	---

STEP 1



STEP 2



FINISH

