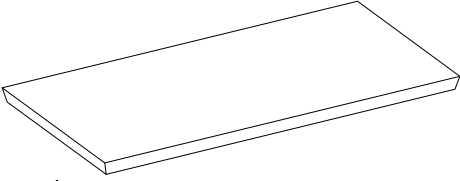
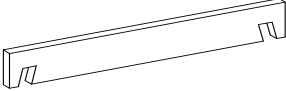
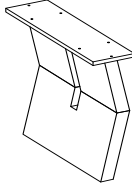





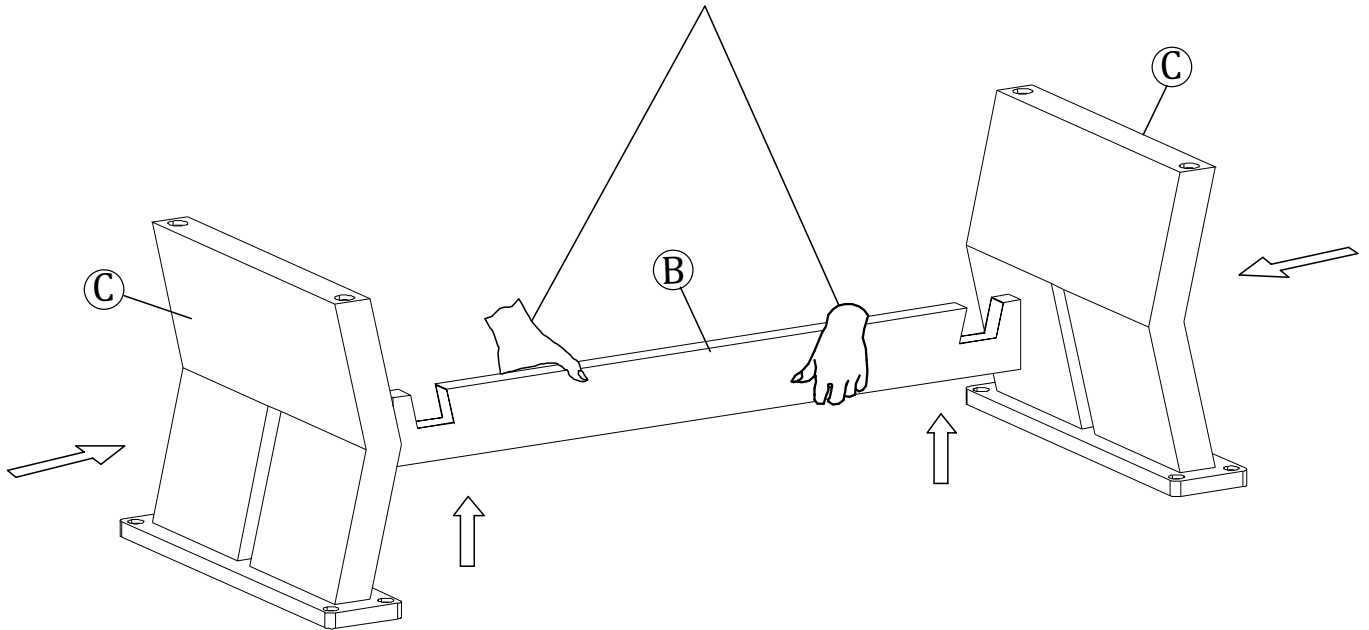
Product Assembly Instructions

VEGA-CF127-01

 <p>A : Top x 1</p>	 <p>B : Middle Stretcher x 1</p>	 <p>C : Leg x 2</p>	 D : Bolt M6*30mm x8  E: Washer x8  F: Allen key x1
--	--	--	---

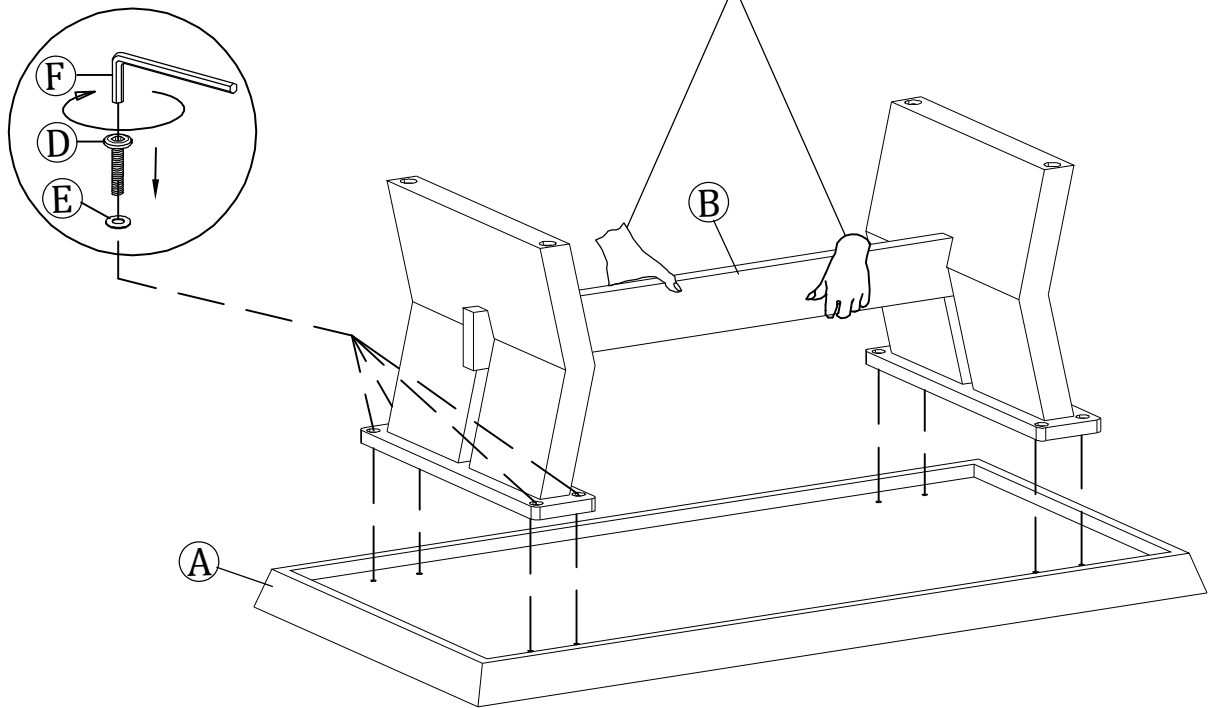
STEP 1

Hold tight until tighten bolt ④



STEP 2

Hold tight until tighten bolt ④



FINISH

