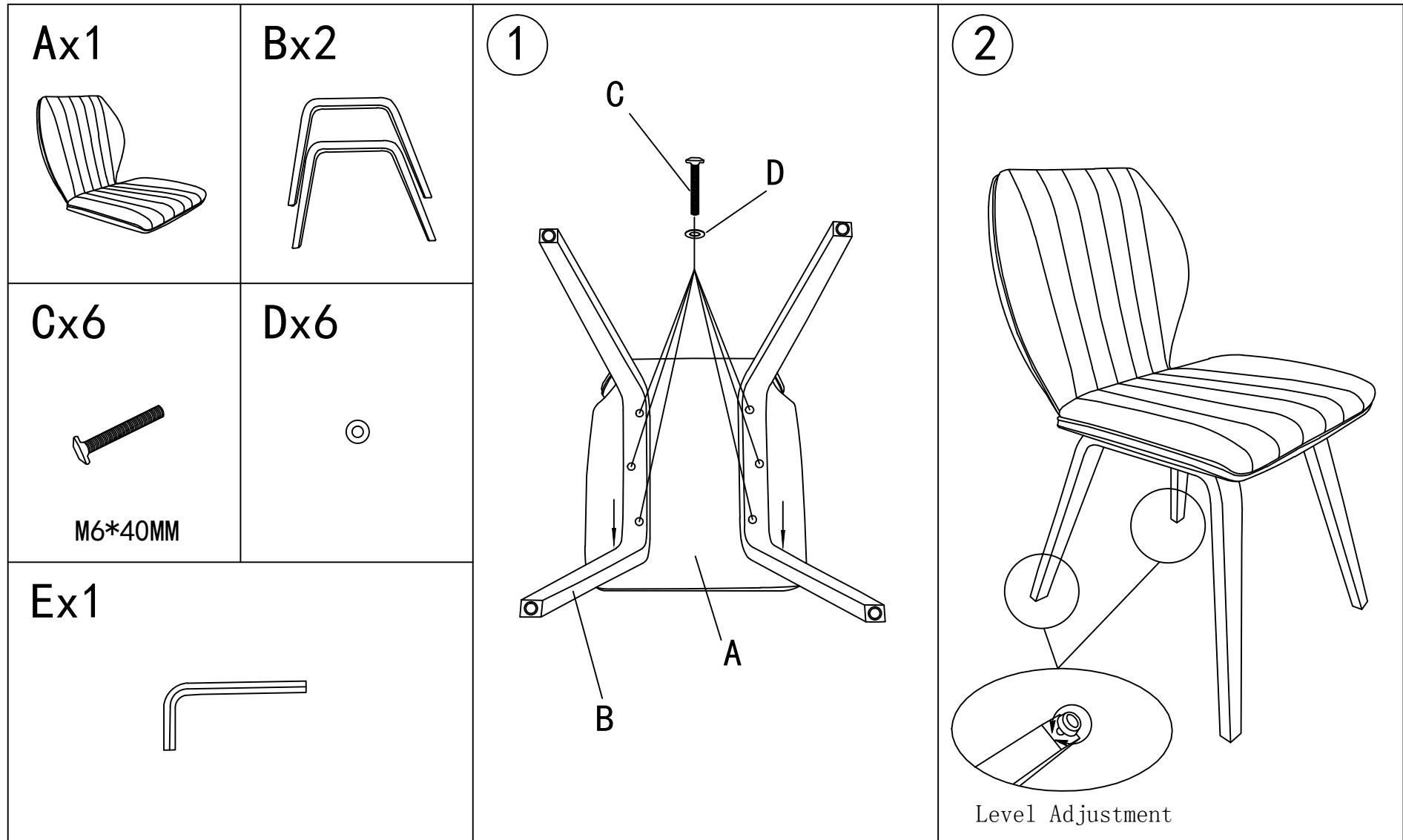


# Assembly Instruction

## LCONSI



Note: Make sure all screws are fully tightened before using the chair.