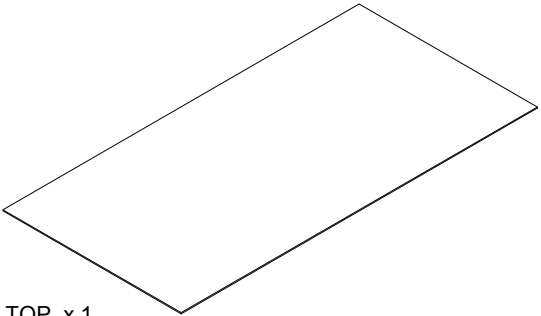
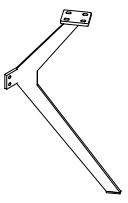

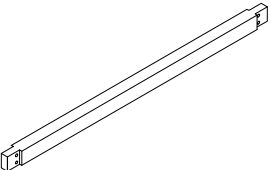
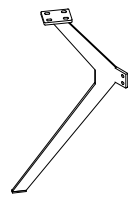




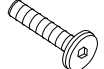
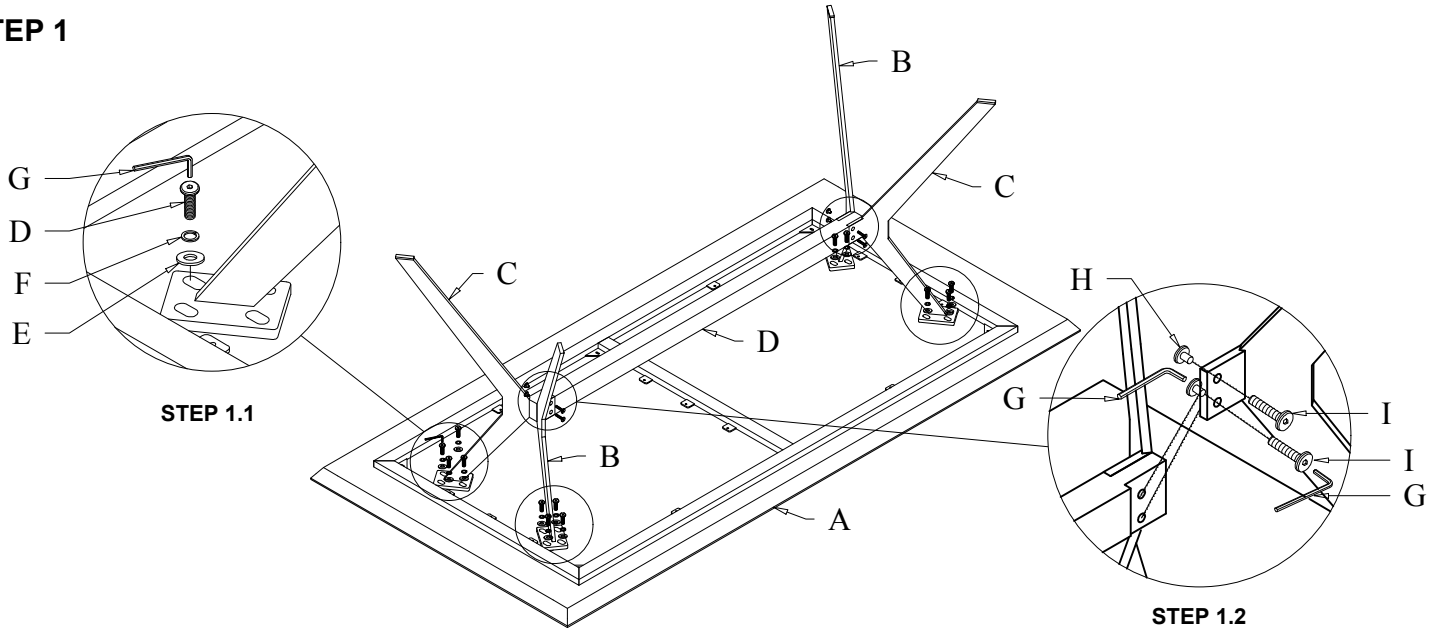


Product Assembly Instructions

LCNVDIBAL TOP LCNVDIBAL BASE

 <p>A: TOP x 1</p>	 <p>B: Left Leg x 2</p>	 <p>D: Bolt M8*25mm x16</p>
 <p>D: Support BAR x 1</p>	 <p>C: Right Leg x 2</p>	 <p>E: Washer x16</p>
		 <p>F: Washer x16</p>
		 <p>G: Allen wrench x2</p>
		 <p>H: Bolt M6*20mm x4</p>
		 <p>I: Bolt M6*30mm x4</p>

STEP 1



FINISHED

