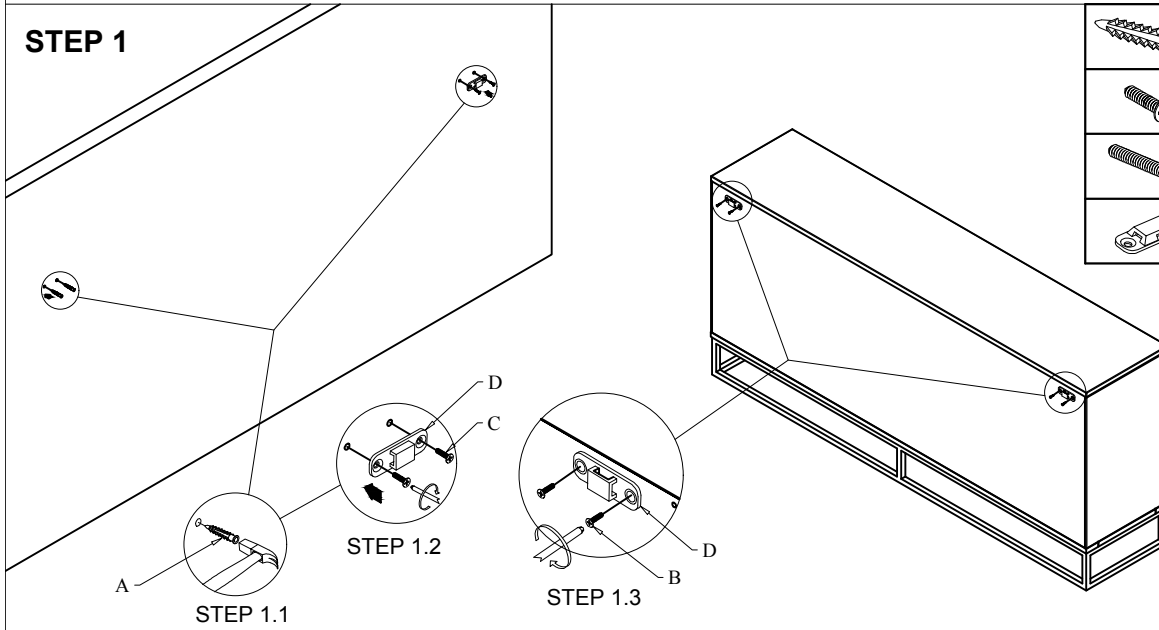
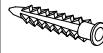

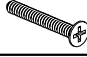



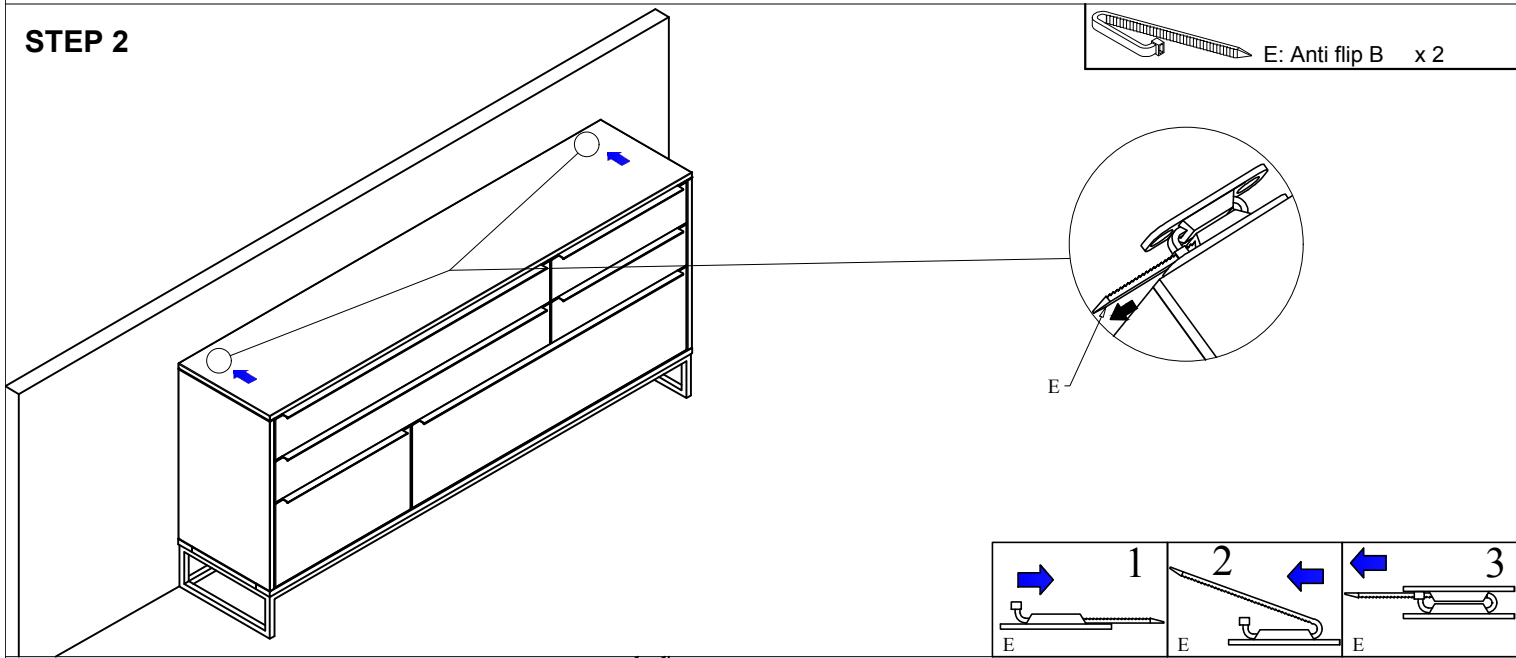
## LCNVBUBAL

### STEP 1



	A: Insert nut M6*50mm	x 4
	B: Screw M4*20	x 4
	C: Screw M4*40	x 4
	D: Anti flib A	x 4

### STEP 2



	E: Anti flip B	x 2
---	----------------	-----

### FINISHED

