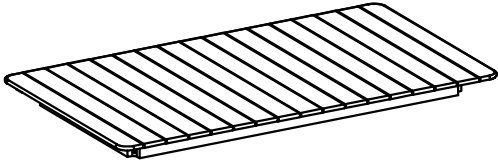


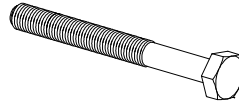
LCNADIWD



A: Top frame x1



B: Leg x4



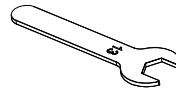
C: Bolt M8*75mm x8



D: Spring Washer x8

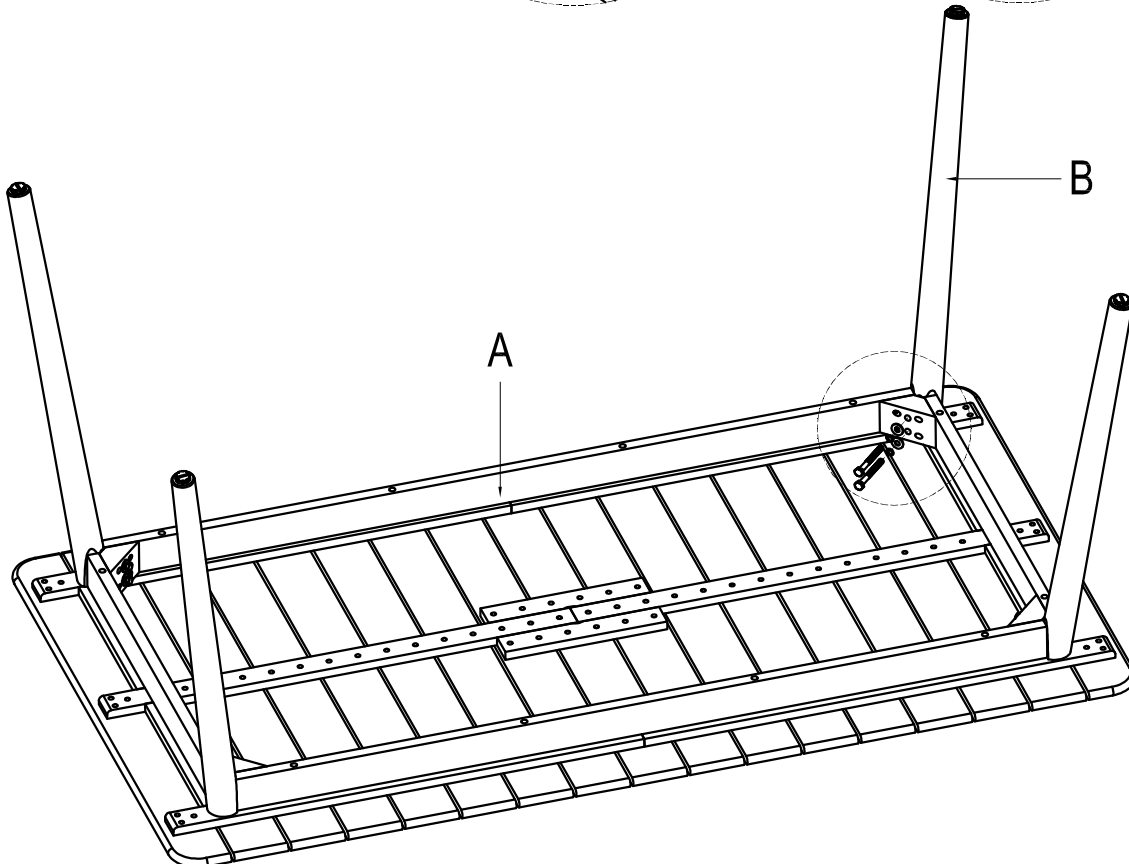
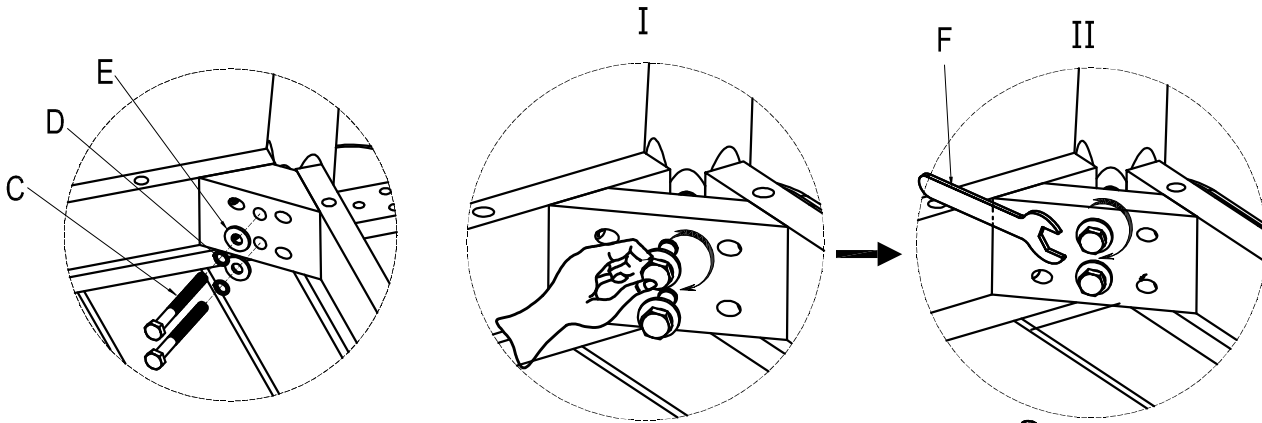


E: Washer x8



F: Spanner x2

STEP 1



STEP 2

