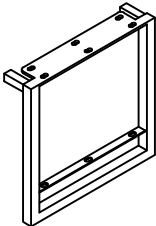
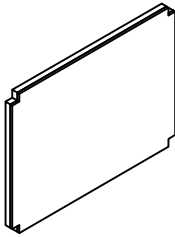












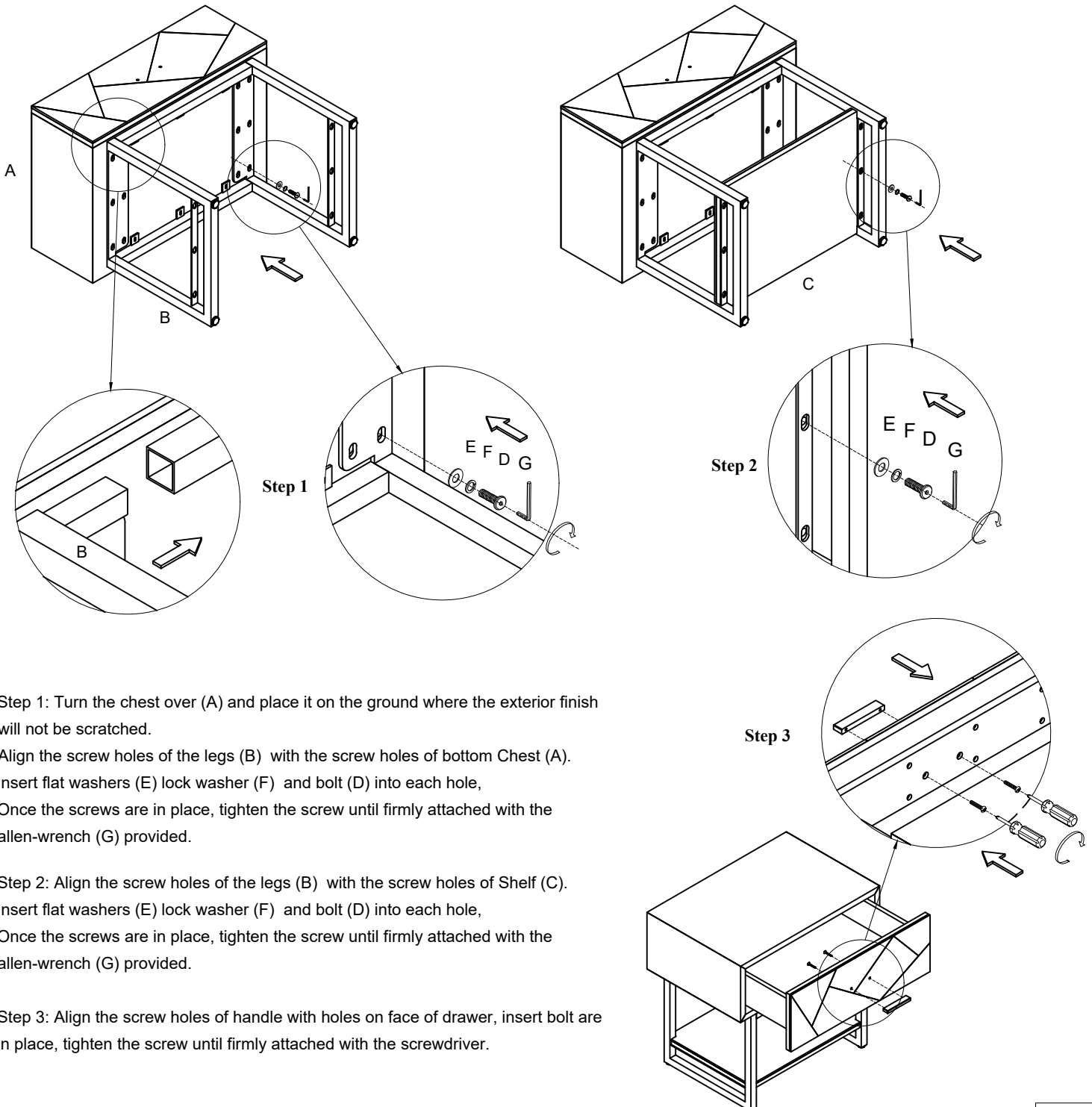
 <p>A: Chest x 1</p>	 <p>B: Leg x 2</p>	 <p>C: Shelf x 1</p>	<table border="1"> <tr> <td data-bbox="1082 293 1134 327"></td> <td data-bbox="1203 300 1358 327">D: Bolt / M8*20</td> <td data-bbox="1469 300 1517 327">x 18</td> </tr> <tr> <td data-bbox="1082 383 1110 416"></td> <td data-bbox="1203 389 1422 416">E: Flat Washer / Ø19</td> <td data-bbox="1469 389 1517 416">x 18</td> </tr> <tr> <td data-bbox="1082 472 1110 506"></td> <td data-bbox="1203 479 1422 506">F: Lock Washer / Ø12</td> <td data-bbox="1469 479 1517 506">x 18</td> </tr> <tr> <td data-bbox="1059 562 1134 595"></td> <td data-bbox="1203 568 1353 595">G: Allenkey V4</td> <td data-bbox="1469 568 1501 595">x 1</td> </tr> </table>		D: Bolt / M8*20	x 18		E: Flat Washer / Ø19	x 18		F: Lock Washer / Ø12	x 18		G: Allenkey V4	x 1
	D: Bolt / M8*20	x 18													
	E: Flat Washer / Ø19	x 18													
	F: Lock Washer / Ø12	x 18													
	G: Allenkey V4	x 1													



Step 1: Turn the chest over (A) and place it on the ground where the exterior finish will not be scratched.

Align the screw holes of the legs (B) with the screw holes of bottom Chest (A).

Insert flat washers (E) lock washer (F) and bolt (D) into each hole,

Once the screws are in place, tighten the screw until firmly attached with the allen-wrench (G) provided.

Step 2: Align the screw holes of the legs (B) with the screw holes of Shelf (C).

Insert flat washers (E) lock washer (F) and bolt (D) into each hole,

Once the screws are in place, tighten the screw until firmly attached with the allen-wrench (G) provided.

Step 3: Align the screw holes of handle with holes on face of drawer, insert bolt are

in place, tighten the screw until firmly attached with the screwdriver.