

# Assembly Instructions

## Stage 1 - Fitting the Unit

**NOTE:** It would be useful to ask someone to help you at this stage.

- Carefully align connecting hooks & holes into position and lock them to secure the mechanism.  
**See Fig. 1**
- Insert the Left Back Cushion and Right Back cushion onto the unit.  
**See Fig. 2**
- Engage the Metal Locks and push fit. You should hear them lock into position.  
**See Fig. 2**
- Locate the Velcro on the flap of the Back Cushions onto the back of Seat Cushions.  
**See Fig. 2**

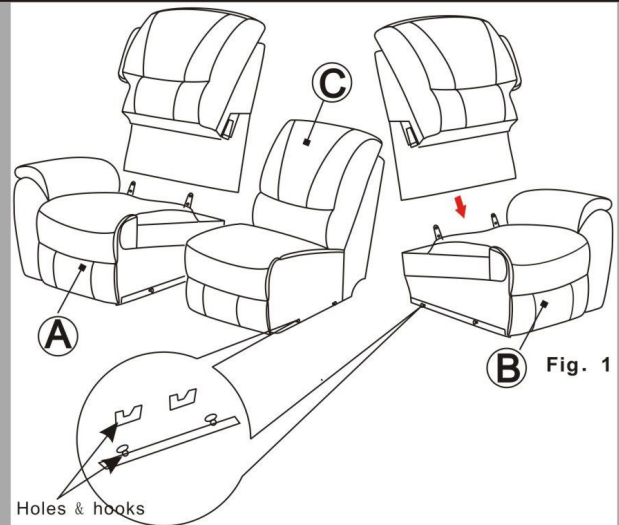


Fig. 1

**CAUTION:**  
DO NOT ALLOW CHILDREN TO PLAY ON THIS MECHANIZED FURNITURE OR OPERATE THE MECHANISM. LARGEST FOLDS DOWN ON CLOSING SO THAT A CHILD COULD NOT POSSIBLY BE INJURED. ALWAYS LEAVE IN AN UPRIGHT AND CLOSED POSITION. KEEP HANDS AND FEET CLEAR OF MECHANISM. ONLY OCCUPANT SHOULD OPERATE IT.

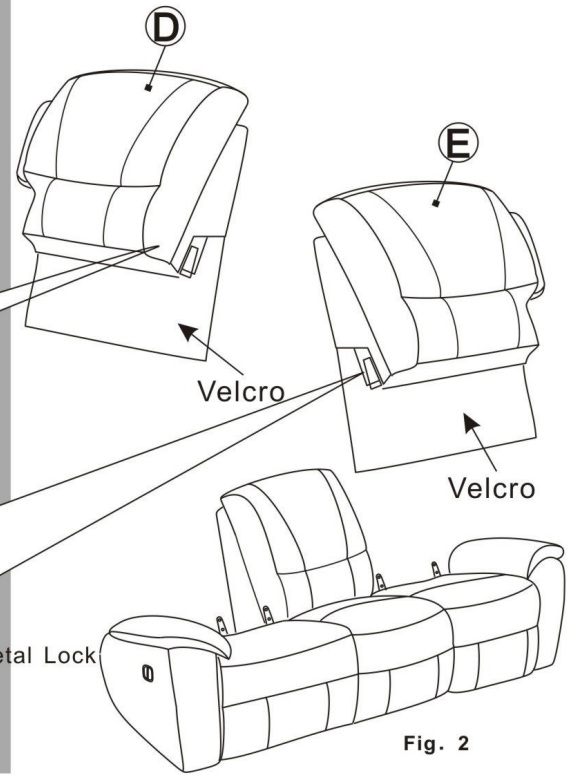


Fig. 2

# Assembly Instructions

## Stage 2 - Fitting the Unit

### Back and Foot Rest Adjustment

This Chair features a reclining back rest and raised foot rest. You need to be sitting in the chair to activate the features.

- Pull the "Adjustment Lever" and gently lean back and the chair will recline and the foot rest will automatically lift up.  
**See fig. 3**
- Pull the "Adjustment Lever" again and lean forward, the back rest will move forward and the foot rest will lower.  
**See fig. 3**

- Adjust the recliner to your own requirements.  
**See fig. 3**
- Finally carefully place the unit in the desired location.  
**See fig. 4**

**NOTE:** It would be useful ask someone to help you at this stage.

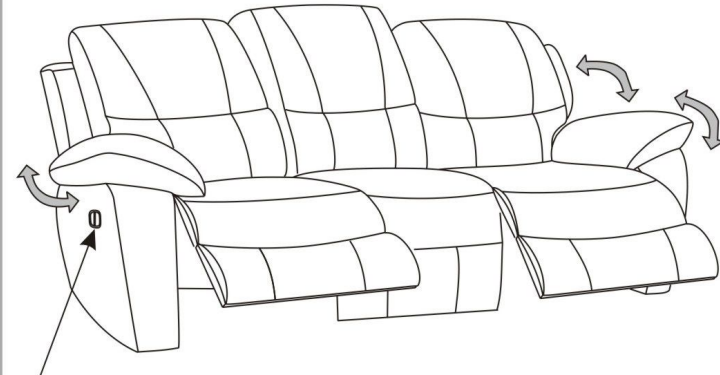


Fig. 3

Adjustment Level

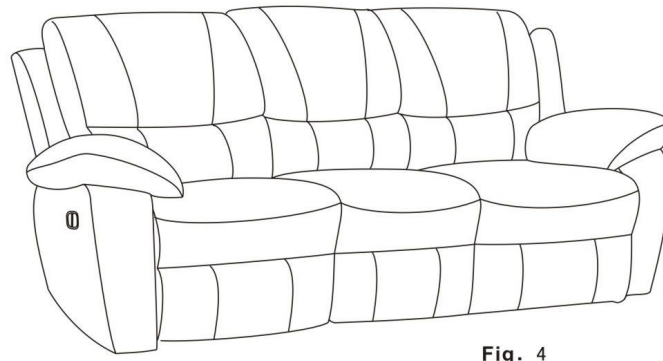


Fig. 4

## Care and Maintenance

### Safety

To avoid any risk of suffocation to animals or children dispose of the plastic bags immediately.

### Cleaning

As with all surfaces clean with a damp cloth and mild detergent, do not use bleach or abrasive products.

### Fitting

From time to time please ensure there are no loose screws on the product.