

1\*1



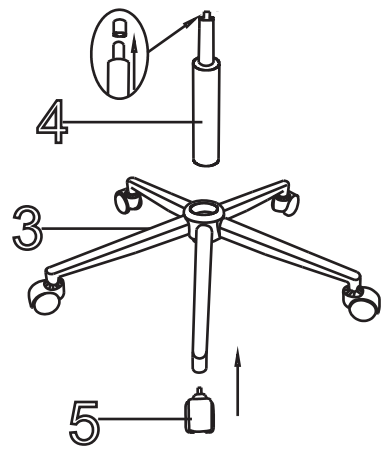
5\*5



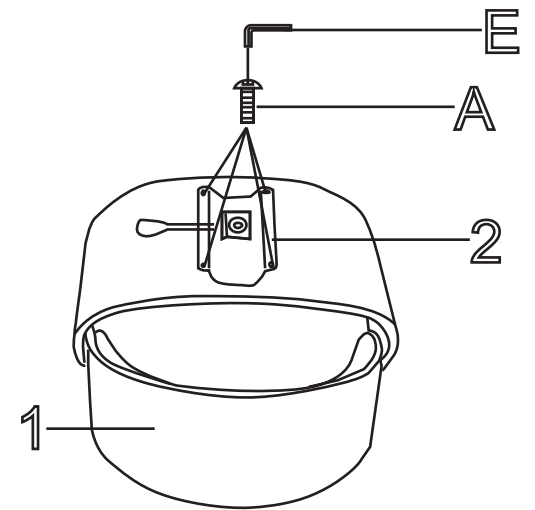
WHEELS

①

REMOVE THIS CAP  
WHEN YOU ASSEMBLE!



②



2\*1

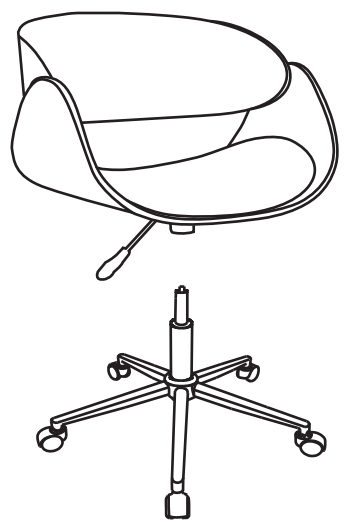


Ax4+1EXT



M6\*16MM

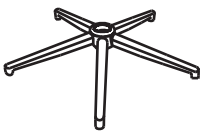
③



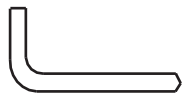
④



3\*1



E



4\*1

