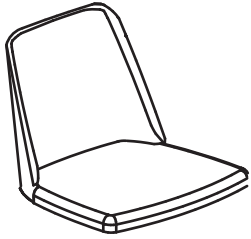


1*1



5*1



2*1



A*8

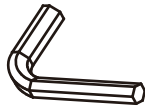


M6*70mm

3*1



B*1



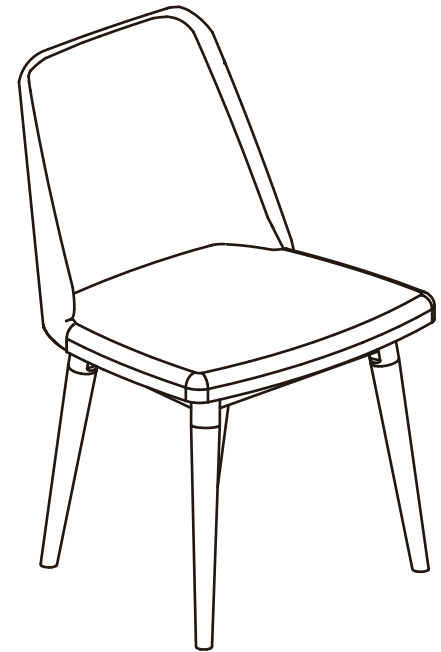
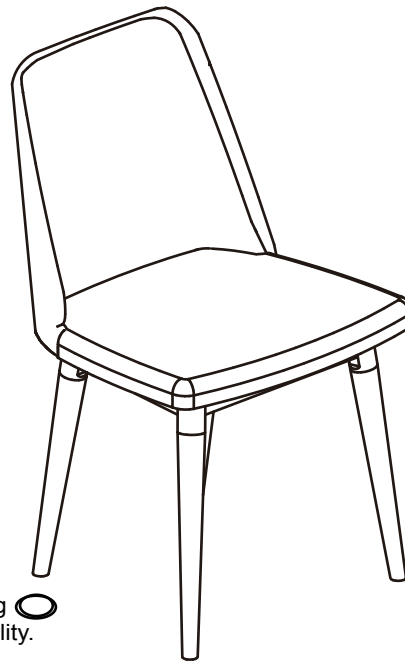
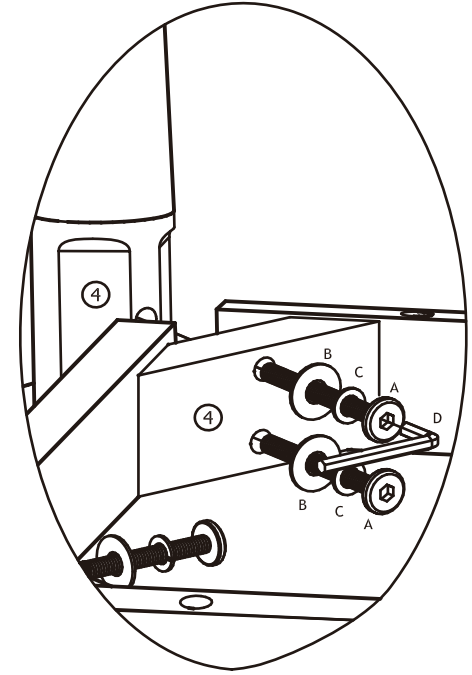
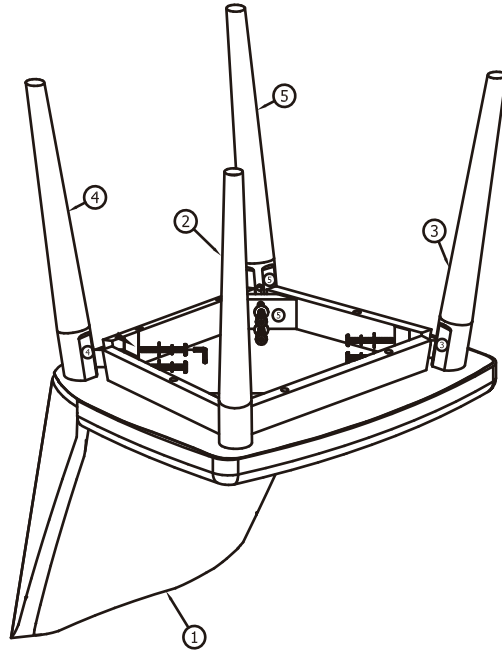
4*1




C*4



leveling pad



If necessary, use included leveling pad  to improve stability.