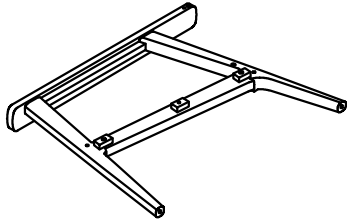
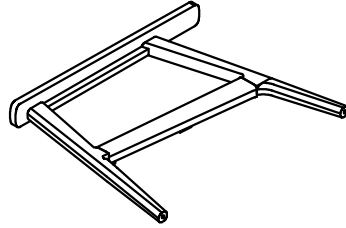


Product Assembly Instructions

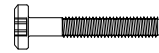
LCEVSOTL



A: Right Leg x1



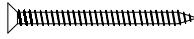
B: Left Leg x1



E: F-Bolt M6*50 x8



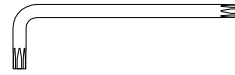
F: Wahser x2



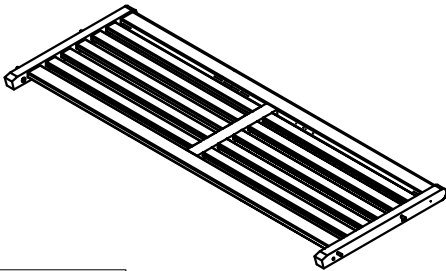
G: Screw x2



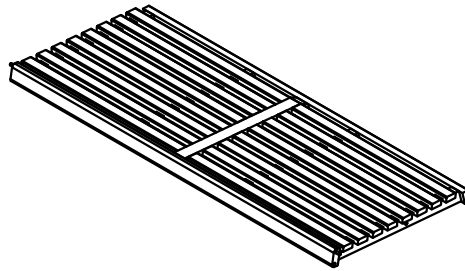
H: Bench foot black x4



I: Torx key x1

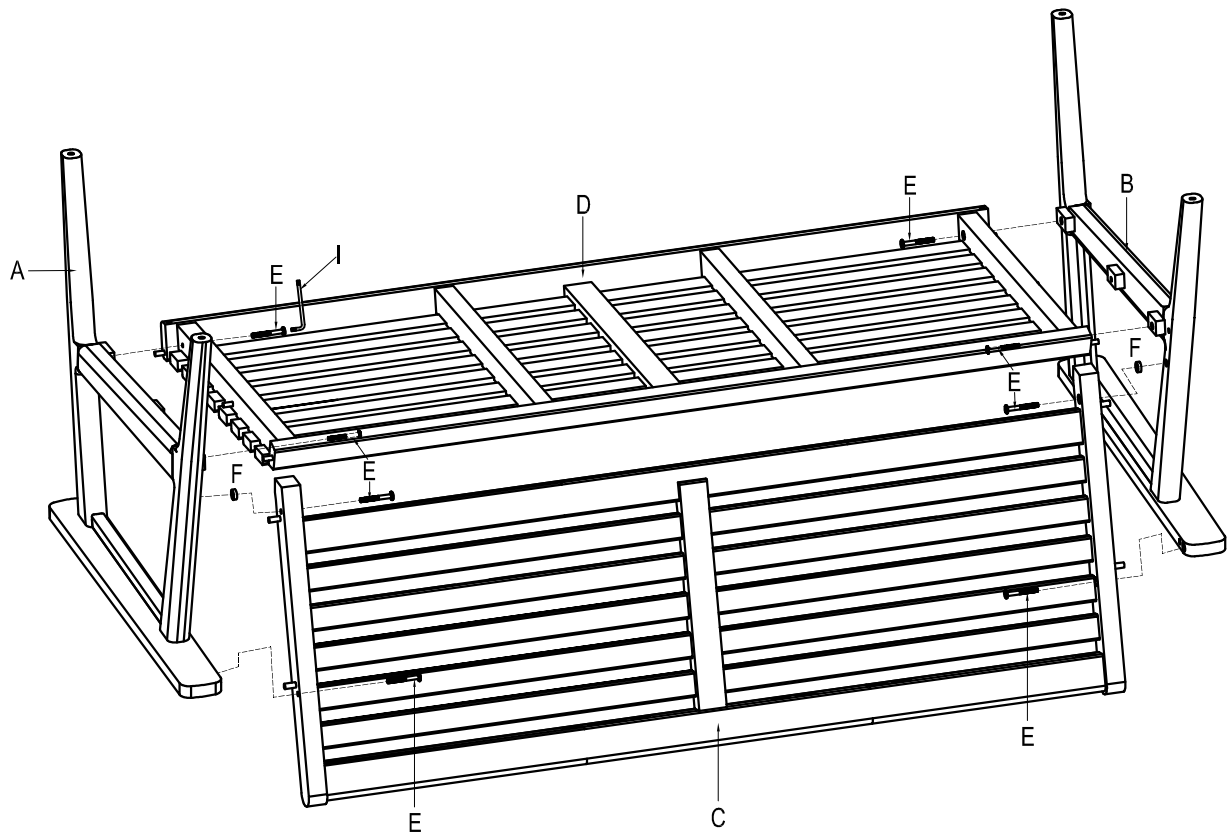


C: Back x1

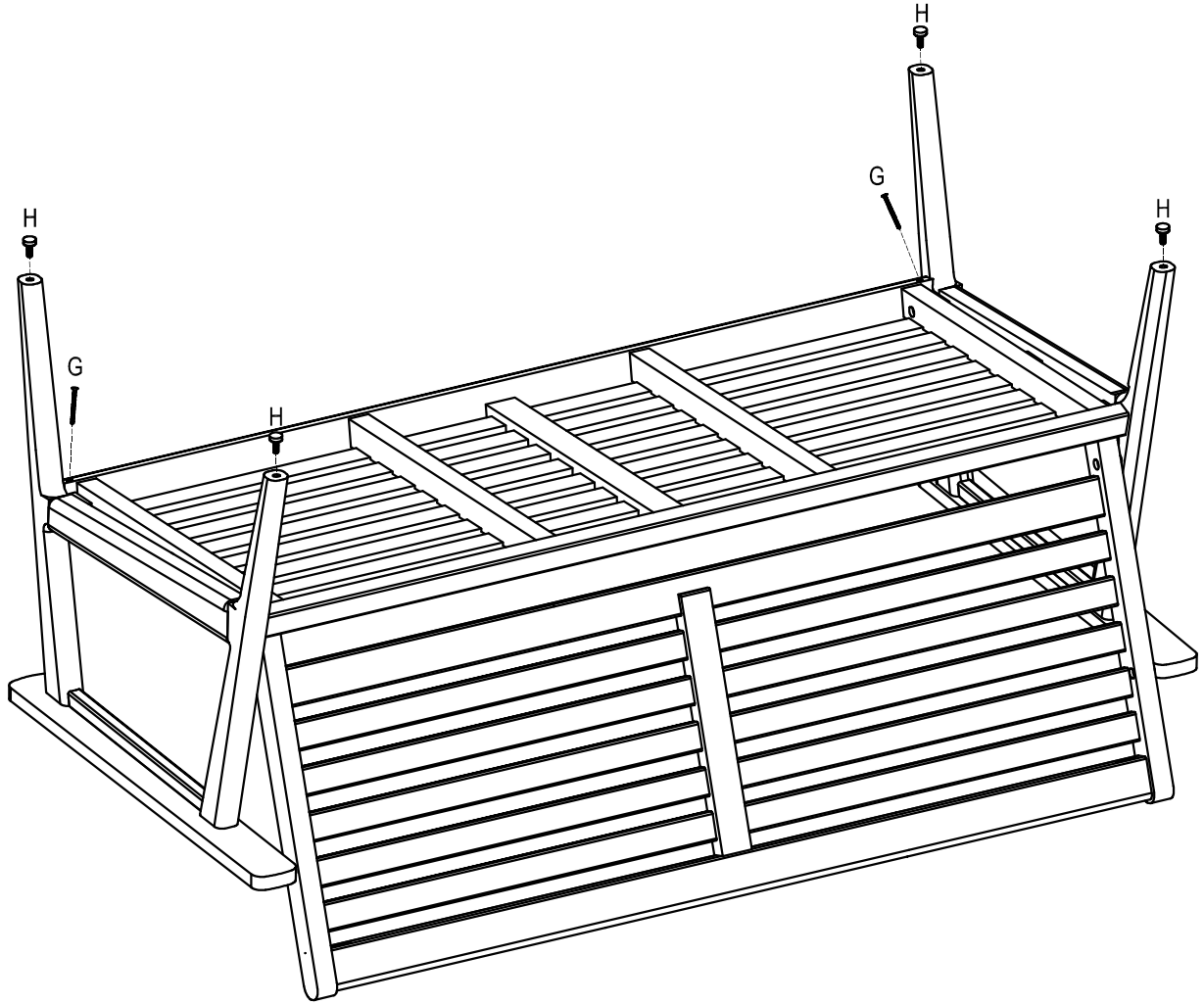


D: Seat x1

STEP 1



STEP 2



STEP 3

