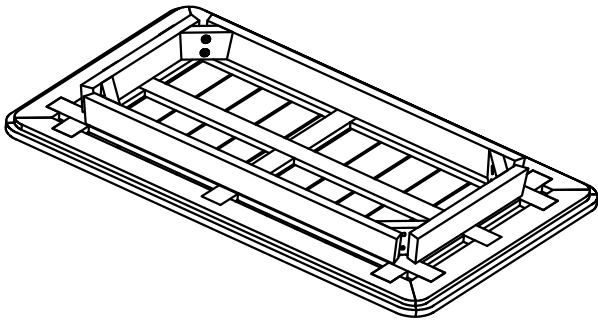


Product Assembly Instructions

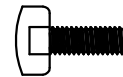
LCEVCOTK



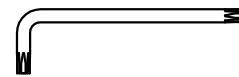
C: F-Bolt M8*60 x8



D: Spiral Wahser x8



E: Bench foot black x4

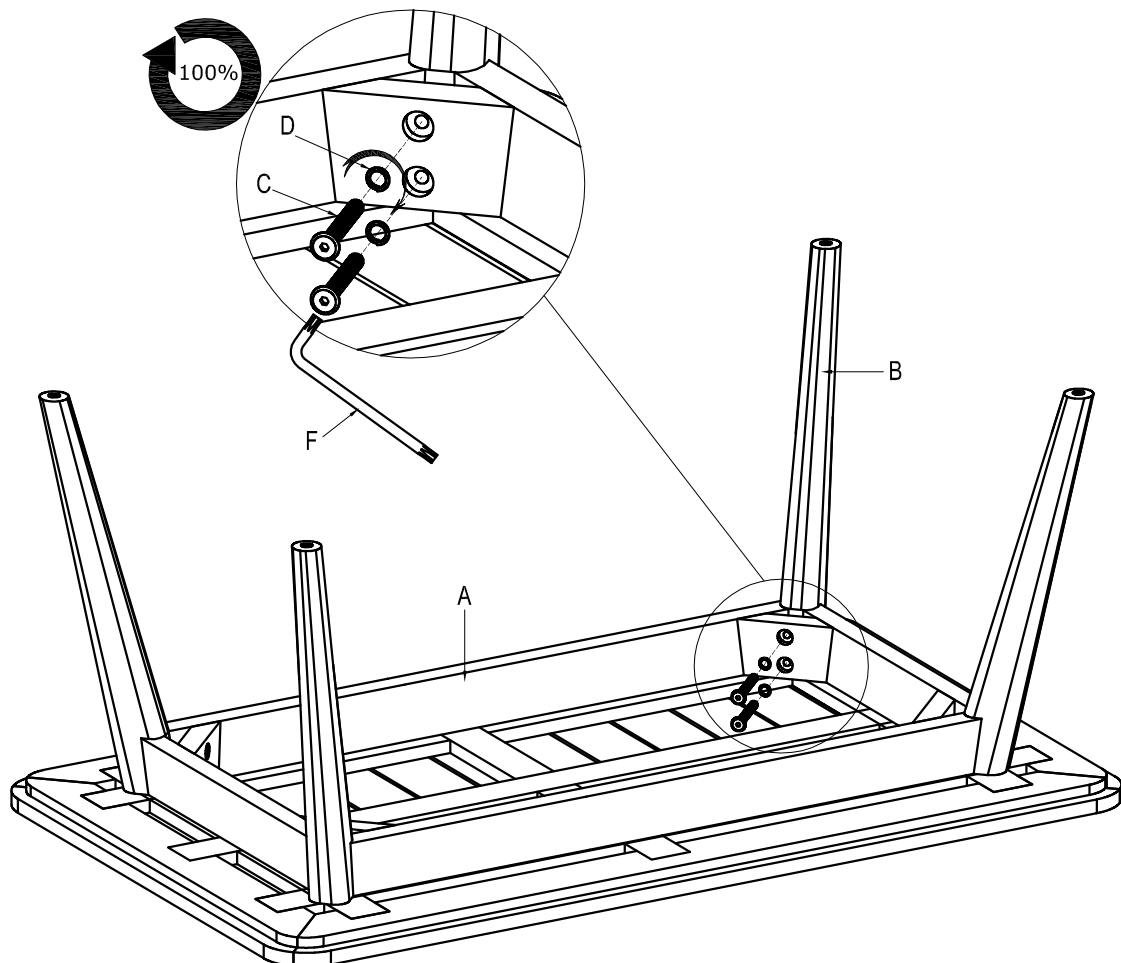


F: Torx key x1

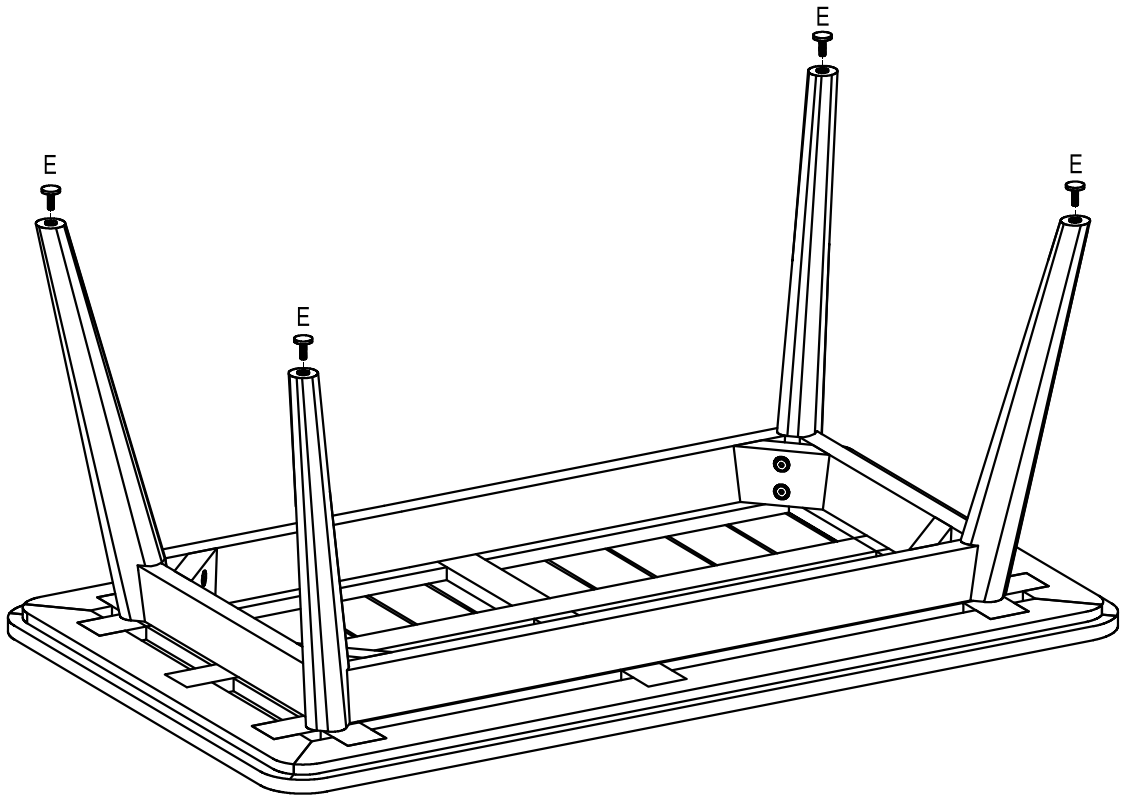
A: Top x1

B: Leg x4

STEP 1



STEP 2



STEP 3

