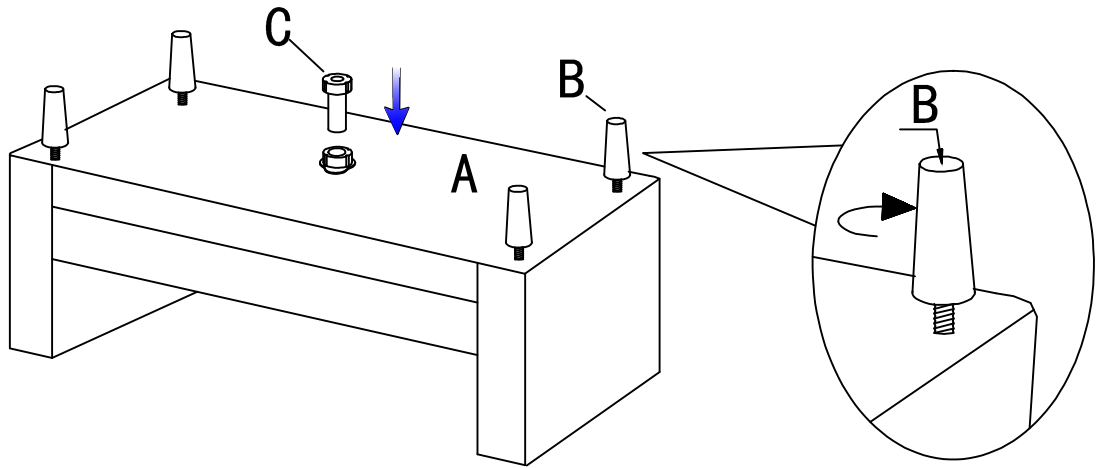
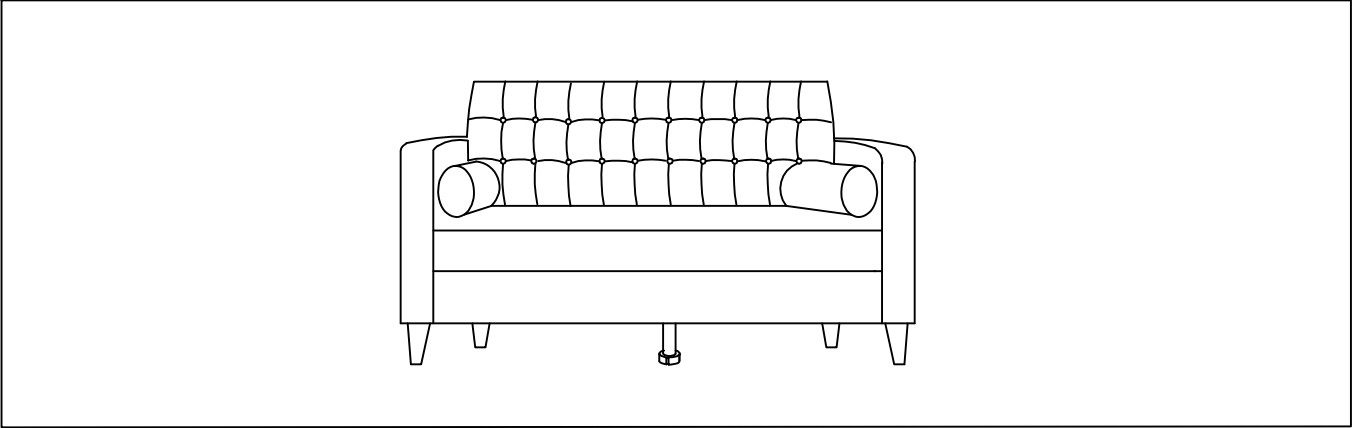
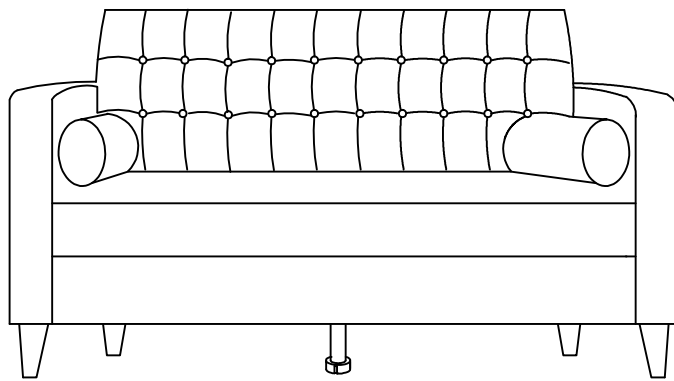


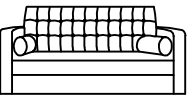

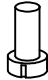
# 991499 Assembly Instruction



①



②

| A  | B   | C   |  |  |  |
|--|---|---|--|--|--|
|  |  |  |  |  |  |
| 1PCS   | 4PCS  | 1PCS  |  |  |  |