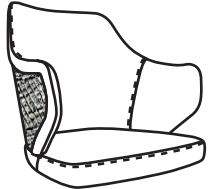

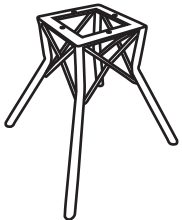

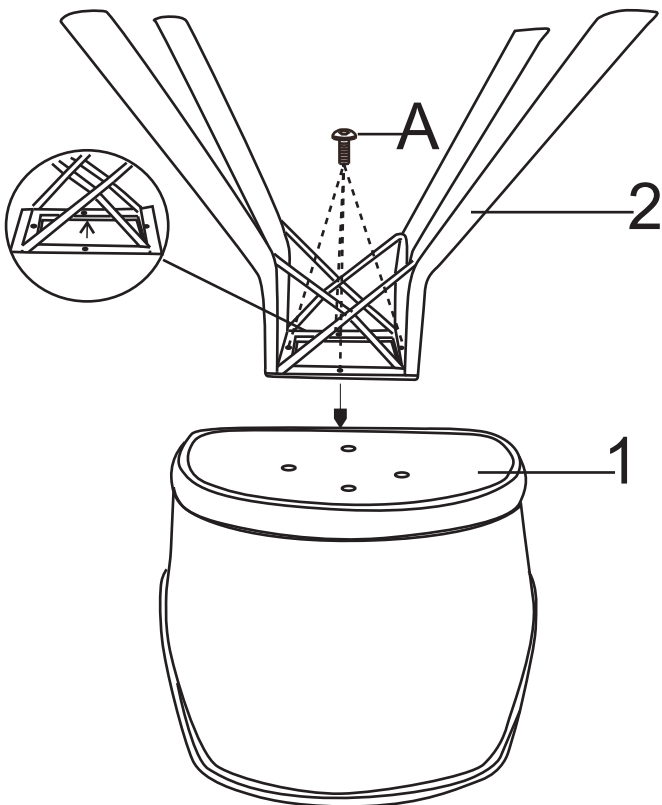


# Assmebly Instruction

1*1		A*4+1EXT	 M6*20MM
2*1		G*1	 M6

## STEP 1



## STEP 2

