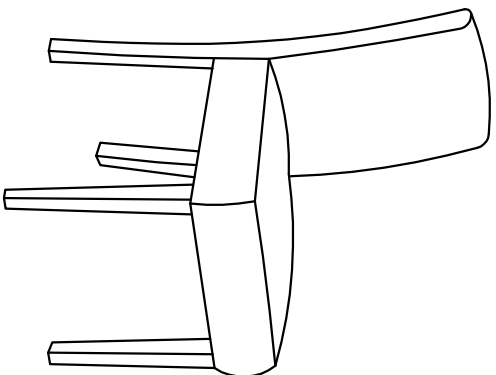
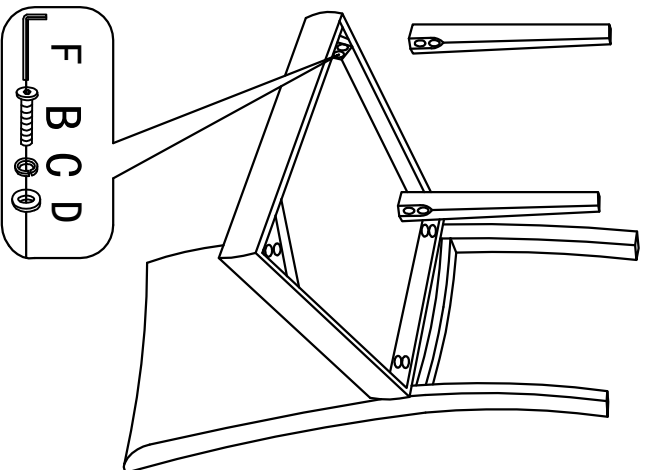


ASSEMBLY INSTRUCTION



NO	Drawing	Description	Q. TY
A		5/16*2-1/2"	4
B		5/16*2-1/4"	4
C			8
D			8
E			2
F			1

STEP 2



STEP 1

