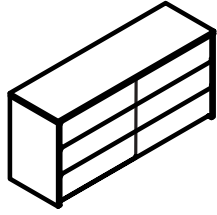
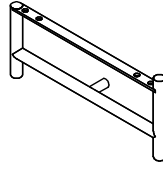


Product Assembly Instructions

BUSH-SB 145



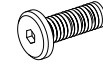
A: Chest x1



B: Left Leg x1



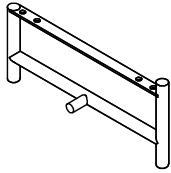
E: Washer x8



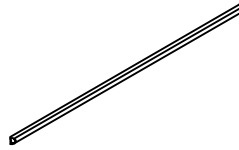
F: Bolt M6*25mm x8



G: Allen key x1



C: Right Leg x1



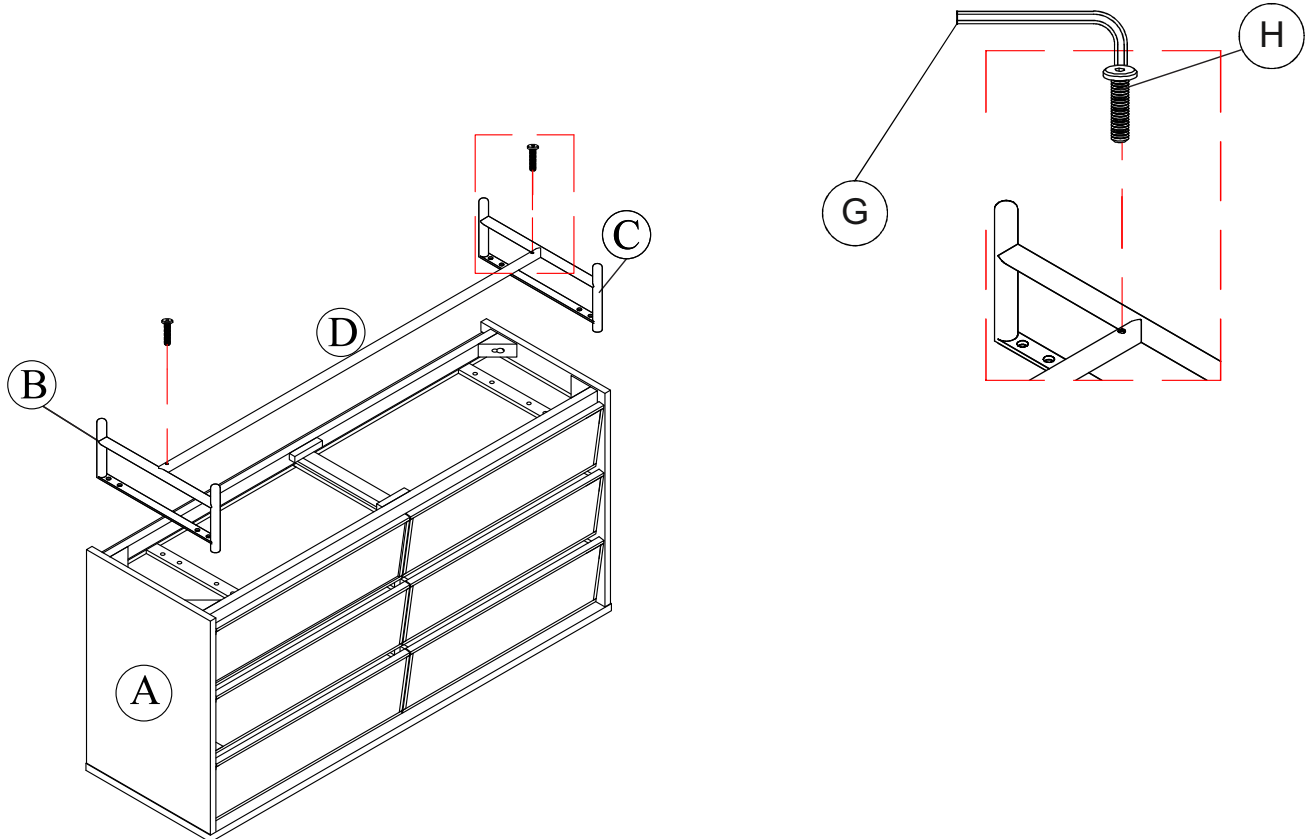
D: Bracing Between x1



H: Bolt M6*15mm x2

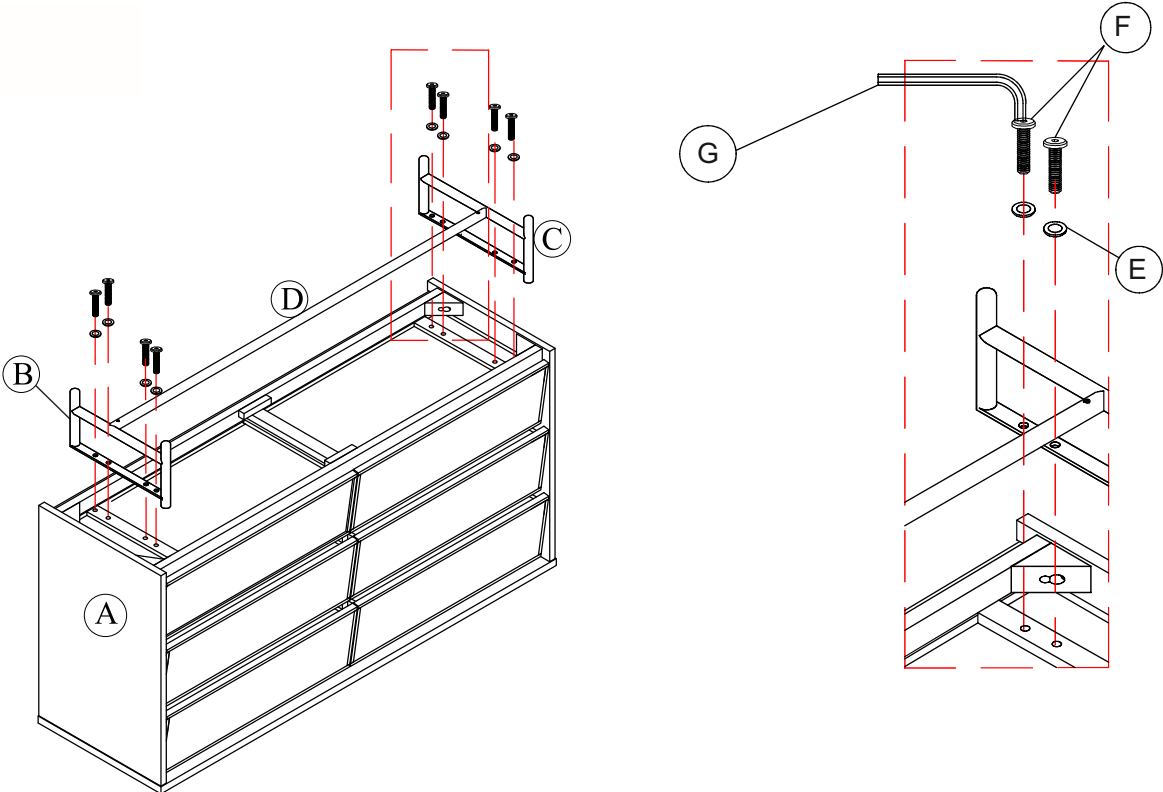
STEP 1

Please, untight the bolts out about 1/4" for rails

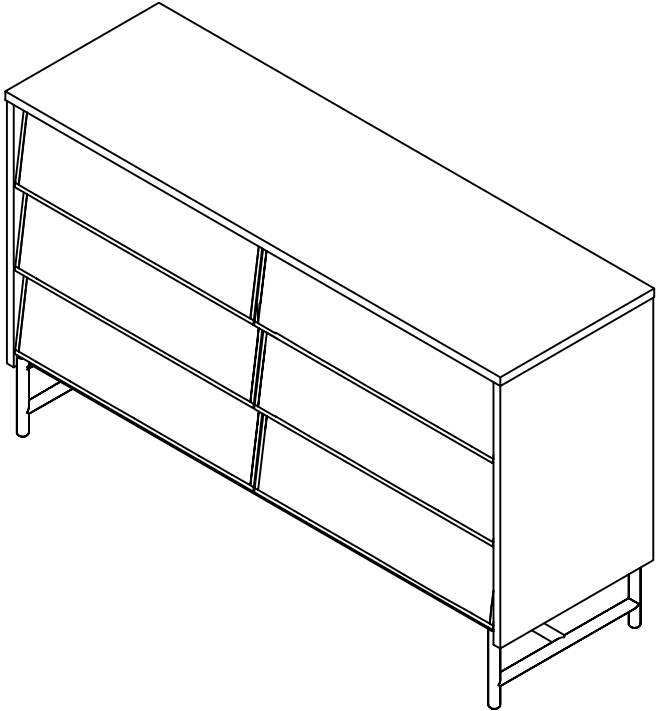


STEP 2

Put and tighten the bolts on the right position.



STEP 3



INSTALL ANTI-TIP FURNITURE SAFETY BRACKET

!!! WARNING ! PREVENT INJURY!!

1. Find wall stud to attach bracket (A) vertically. First, place a bracket (A) at the suitable position. Before attaching plastic anchor (B) into the holes, mark and drill a hole through the stud by using 1/4" drill bit. Then attach the bracket (A) to the stud with the long screw (D).
2. As show below, attach bracket (A) horizontally to center of furniture back (direct below top) with the short screw (E).
3. Move the furniture to its final position. After threading the strap © through the bracket as shown, tighten until snug. Do not overtighten.

