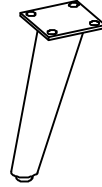
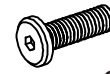


A: Chest x1



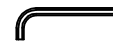
B: Leg x4



C: Bolt M8\*15mm x16

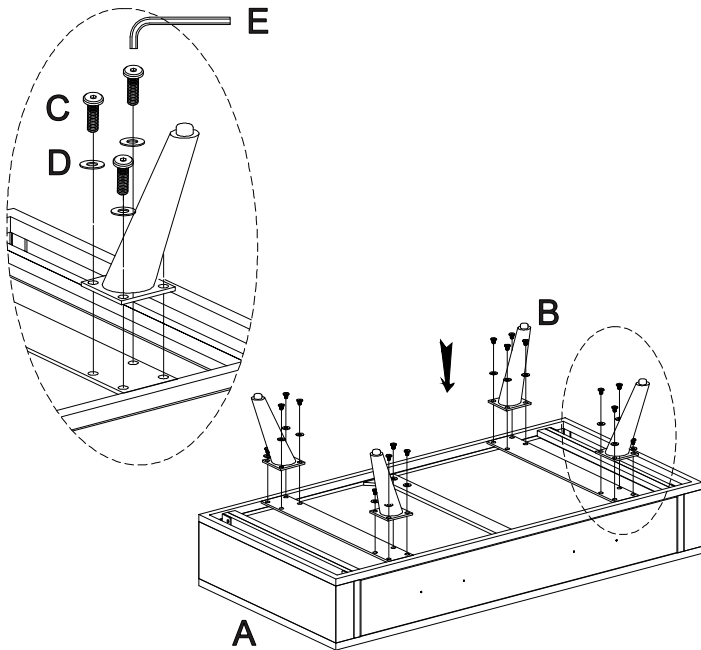


D: Washer x16

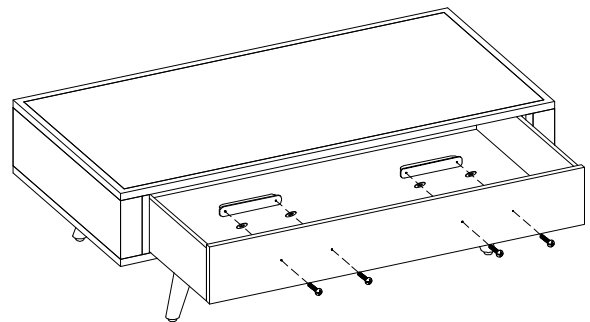


E: Allen wrench x1

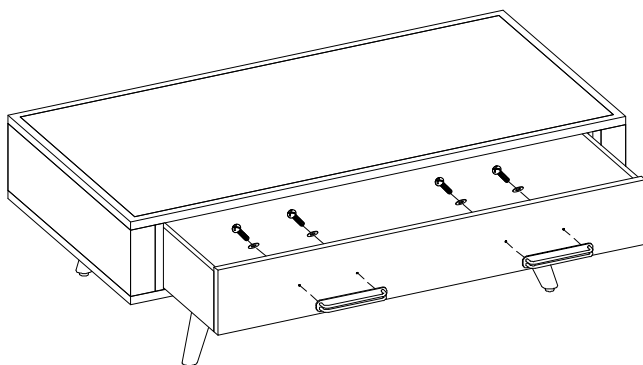
### STEP 1



### STEP 2



### STEP 3



### STEP 4

