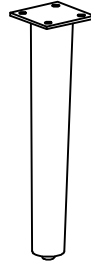
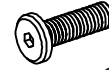


A: Top x1



B: Leg x4



C: Bolt M8*20mm x16

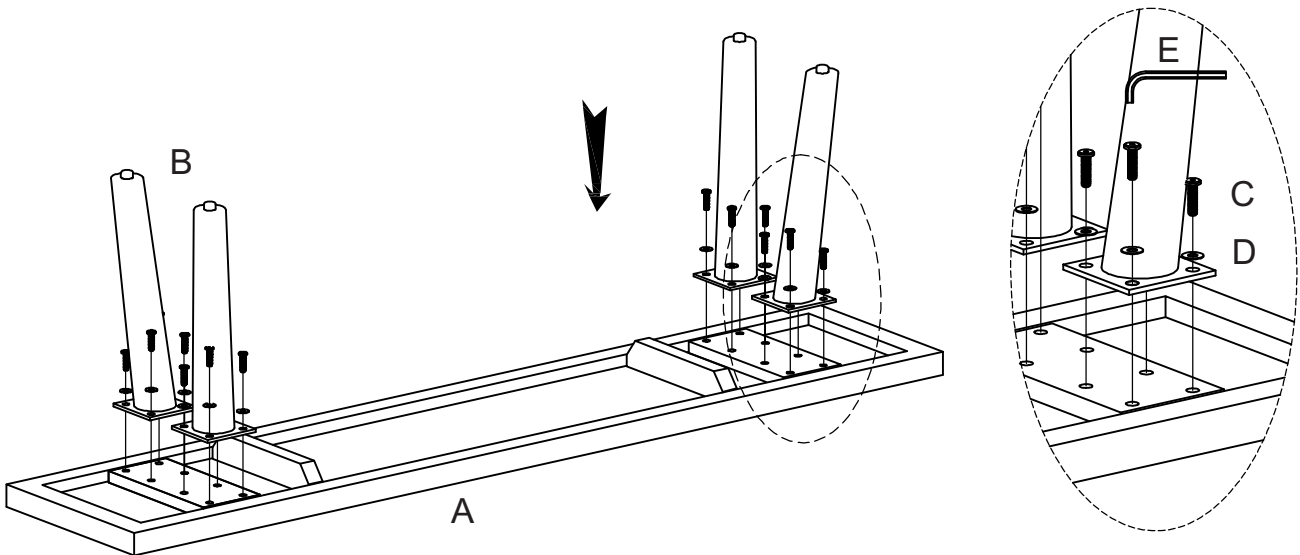


D: Washer x16



E: Allen wrench x1

STEP 1



STEP 2

