

A: Chest x 1



B: Leg x 4



C: Bolt M6*25mm x 16



D: Washer x 16

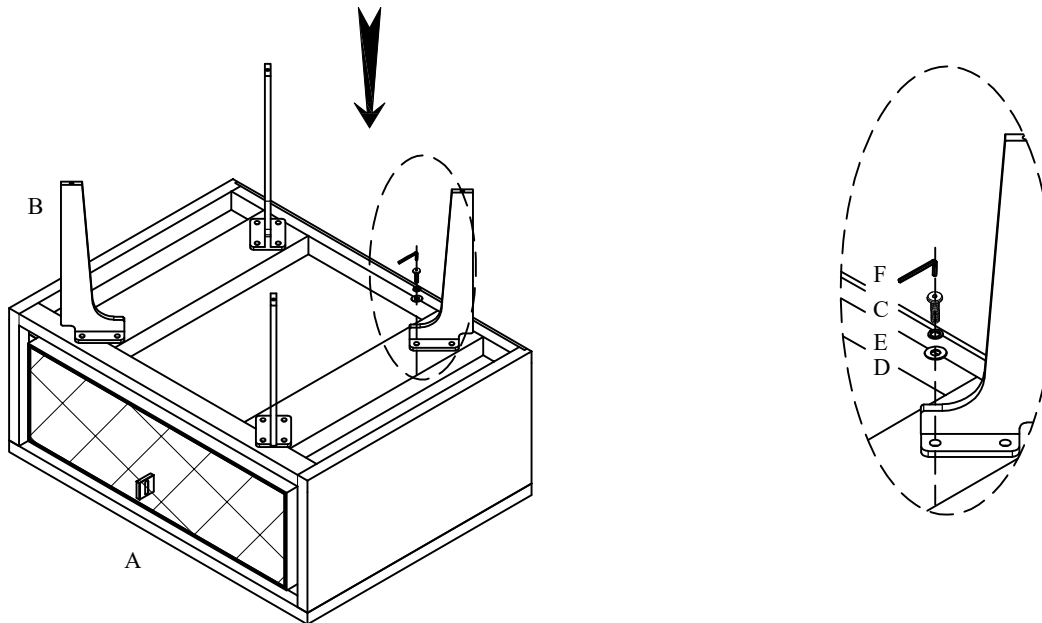


E: Washer x 16



F: Allen wrench x 1

STEP 1



STEP 2

