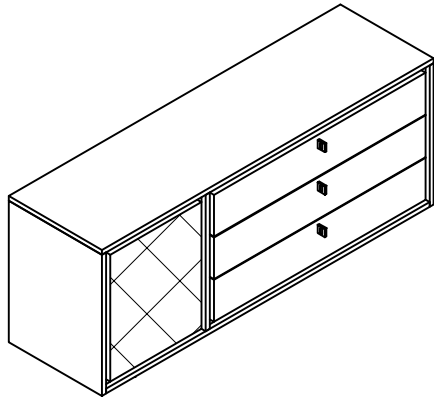


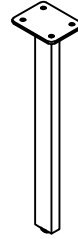
## LCCRDROA



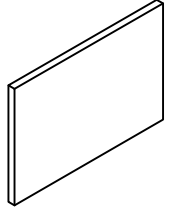
A: Chest x 1



B: Leg x 4

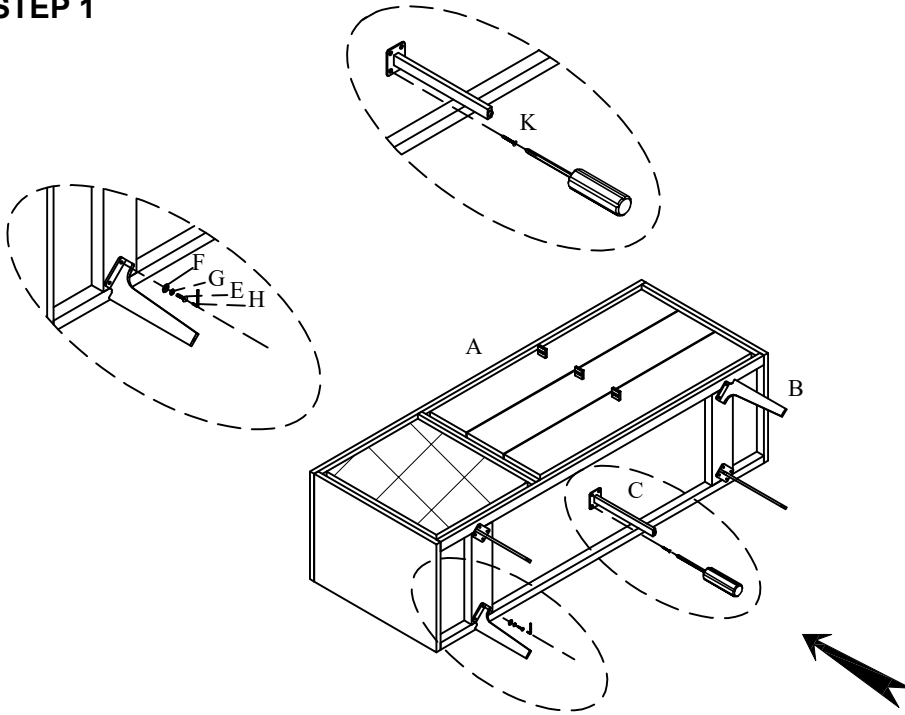


C: Support Leg x 1



D: Shelf x 1

### STEP 1



E: Bolt M6\*25mm x 16



F: Washer x 16



G: Washer x 16



H: Allen wrench x 1

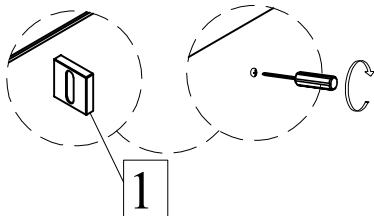


I: Support shelf x 4

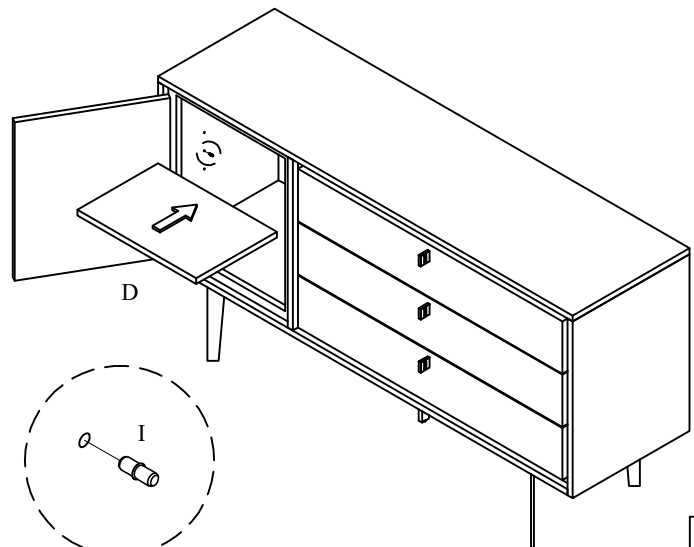


K: Screw M4\*15mm x 4

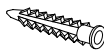


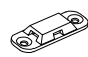
### STEP 2

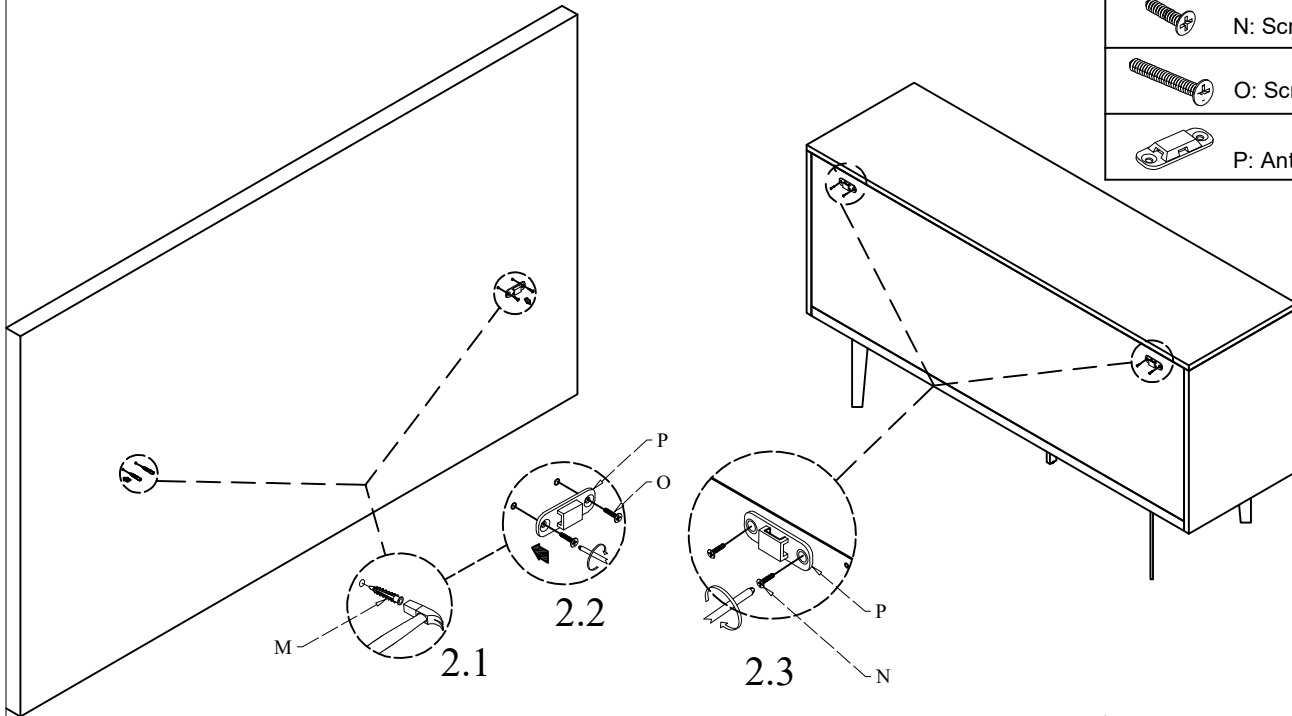


1

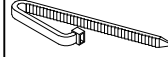


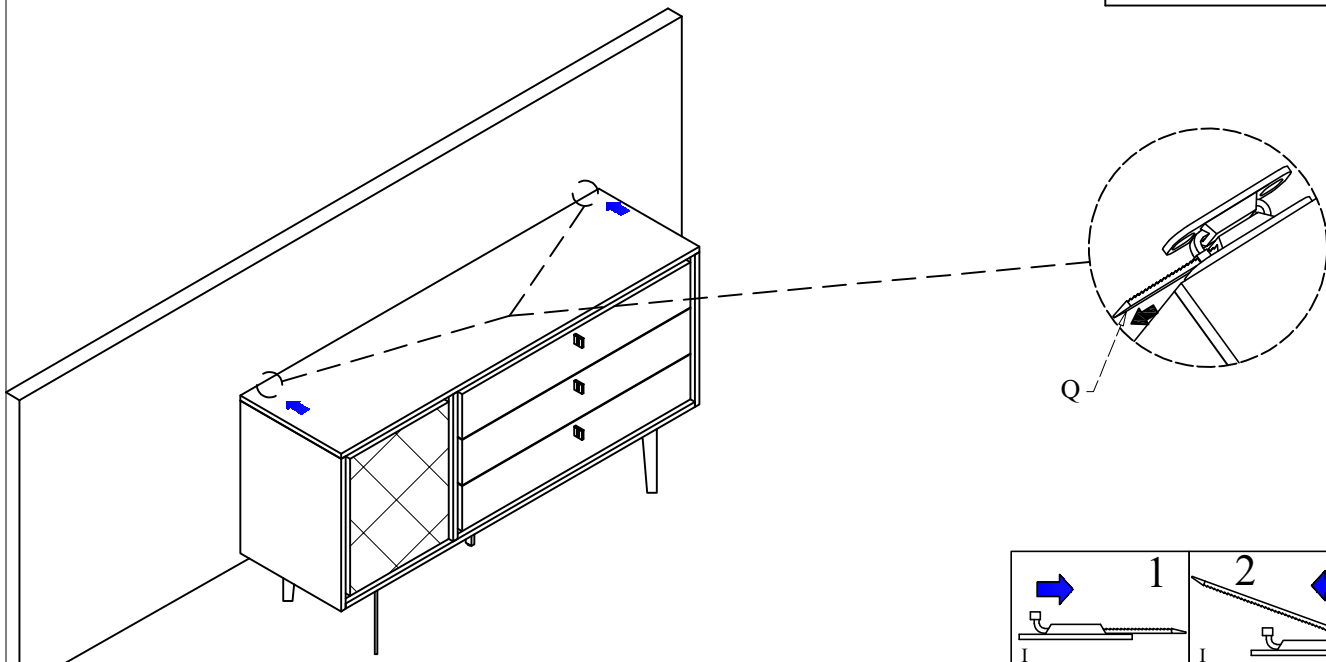
### STEP 3

	M: Insert nut M6*50mm	x 4
	N: Screw M4*20	x 4
	O: Screw M4*40	x 4
	P: Anti flip A	x 4



### STEP 4

	Q: Anti flip B	x 2
---	----------------	-----



### STEP 5

