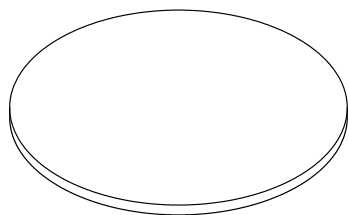
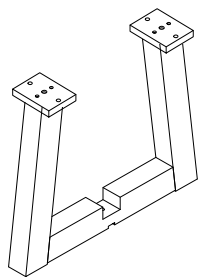


# Product Assembly Instructions

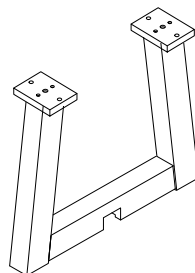
## MANC-CFR 90



**A** : Top x1



**B** : Leg1 x1



**C** : Leg2 x1



**D**: Bolt M8\*30mm x9

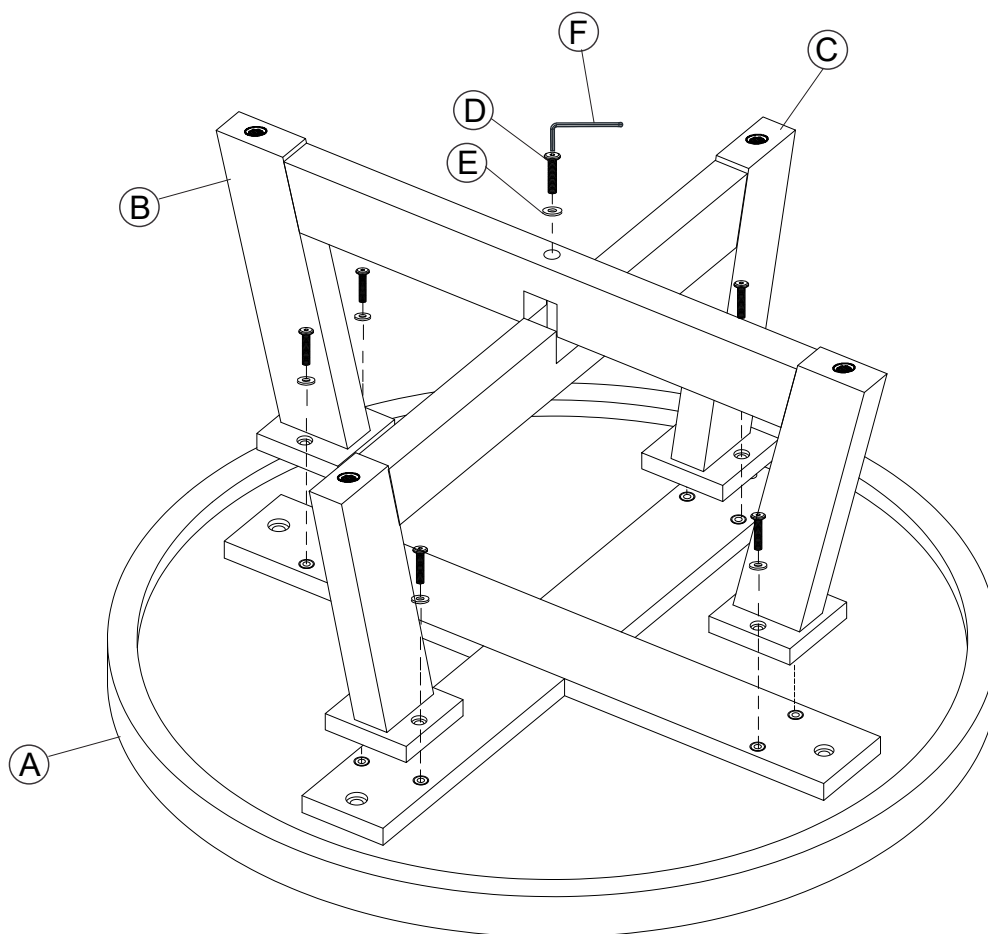


**E**: Washer x9



**F**: Allen key x1

### STEP 1



**STEP 2**

