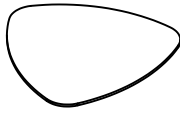
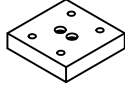

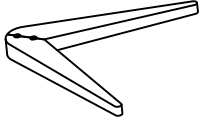








Product Assembly Instructions

LCBKLAWA

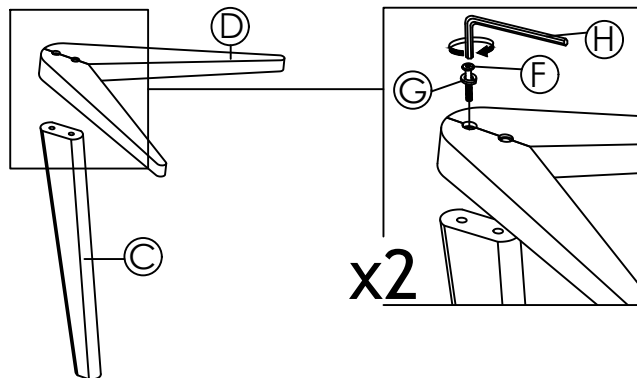
PART LIST

 <p>A: TABLE TOP x1</p>	 <p>B: TABLE TOP SUPPORT x1</p>	 <p>C: TABLE LEG CENTER x1</p>
 <p>D: TABLE LEG x1</p>		

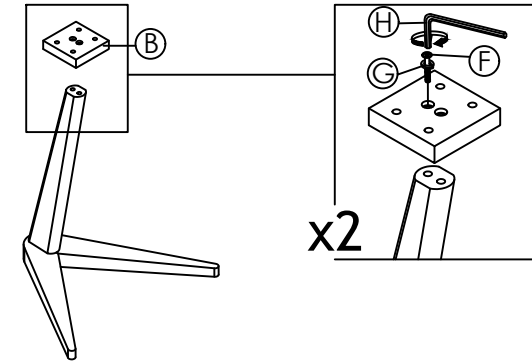
HARDWARE LIST

 <p>E: JCBC SCREW M6 x 30MM x4</p>	 <p>F: JCBC SCREW M6 x 40MM x4</p>	 <p>G: SPRING WASHER 1/4" x8</p>
 <p>H: ALLEN KEY M4 (BALL SHAPE) x1</p>		

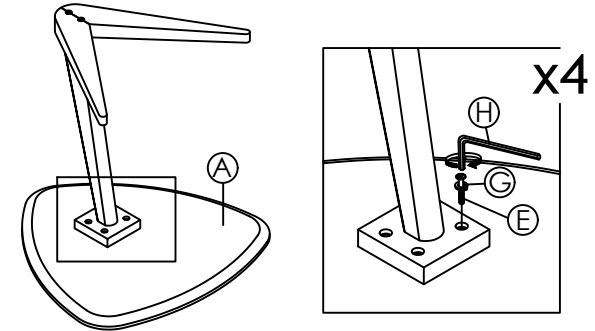
STEP 1



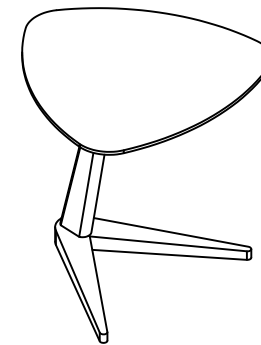
STEP 2



STEP 3



STEP 4



ASSEMBLY COMPLETED