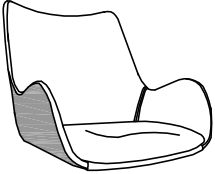

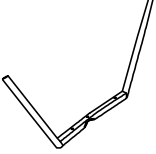

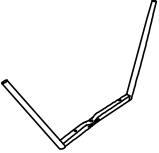

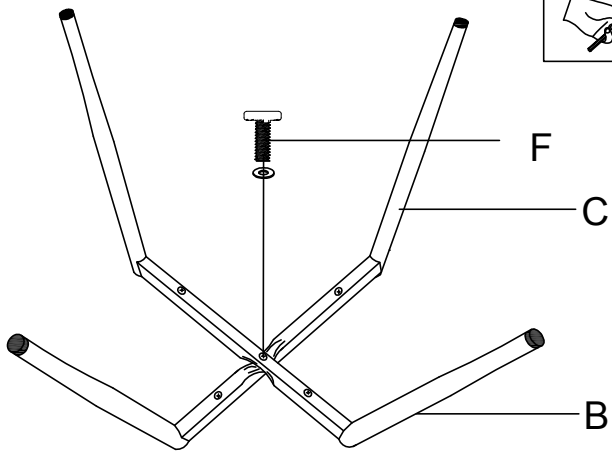
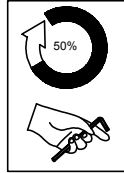


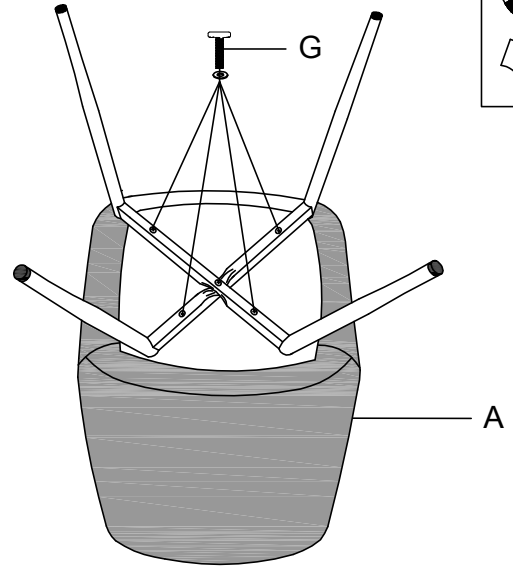
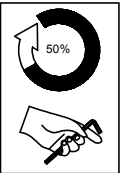
# ASSEMBLY INSTRUCTION

A*1		F*1+1EXT	 M6*30MM+M6*16*1MM
B*1		G*4+1EXT	 M6*45MM+M6*16*1MM
C*1		L*1	 M4

## STEP 1



## STEP 2



## STEP 3

