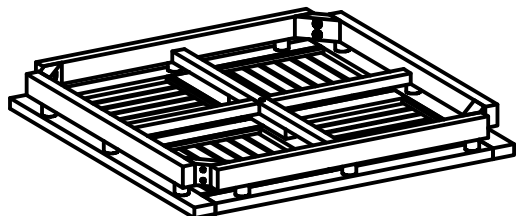


Product Assembly Instructions

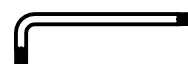
LCARCOTK



C: F-Bolt M6*40 x8



D: Foot x4

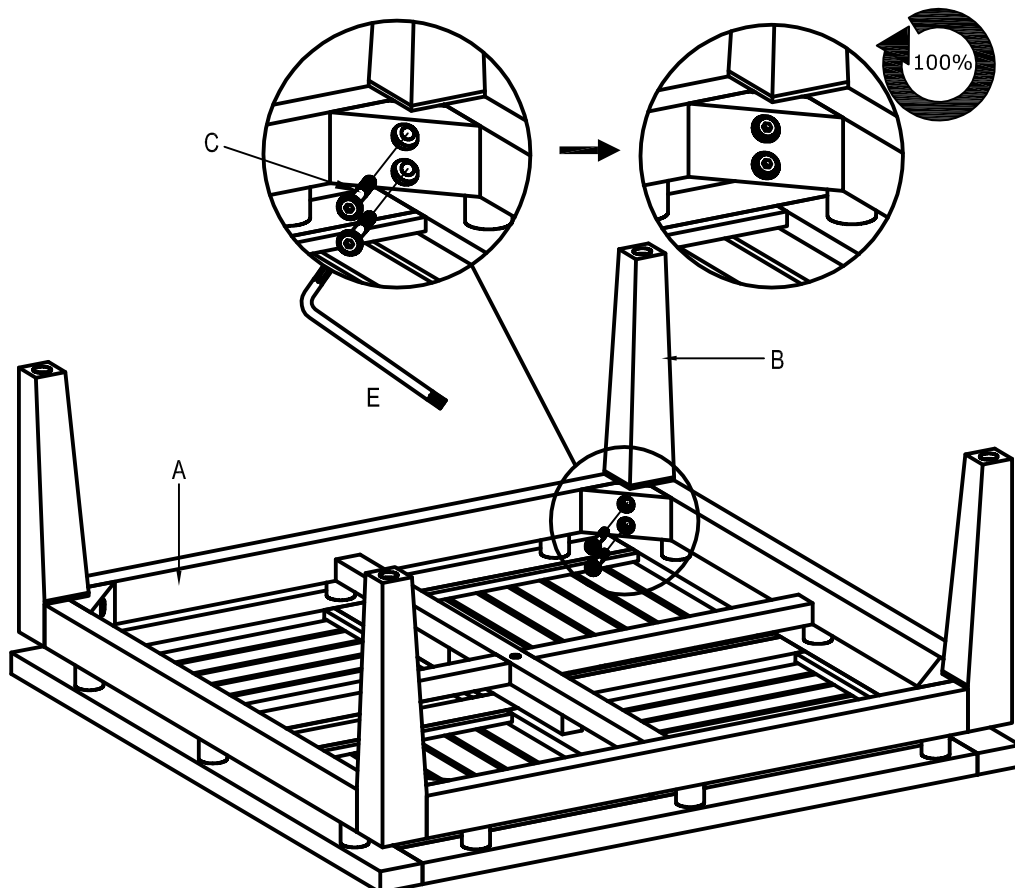


E: Torx key x1

A: Top x1

B: Leg x4

STEP 1



STEP 2

