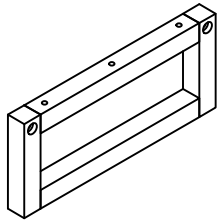
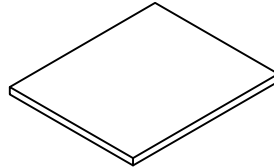


A: Chest x 1

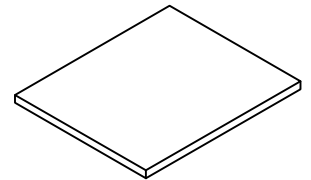
E: Bolt / M8*45 x 6	L: Insert nut x 4
F: Flat Washer / Ø19 x 10	M: Screw M4*20 x 4
G: Lock Washer / Ø12 x 10	N: Screw M4*40 x 4
H: Allenkey V4 x 1	O: Anti - flip A x 4
I: Bolt / M6*60 x 4	P: Anti - flip B x 2
K: Cross dowel x 4	Q: Steel dowel x 12



B: Leg x 2



C: Removeable shelf x 2



D: Middle Removeable shelf x 1

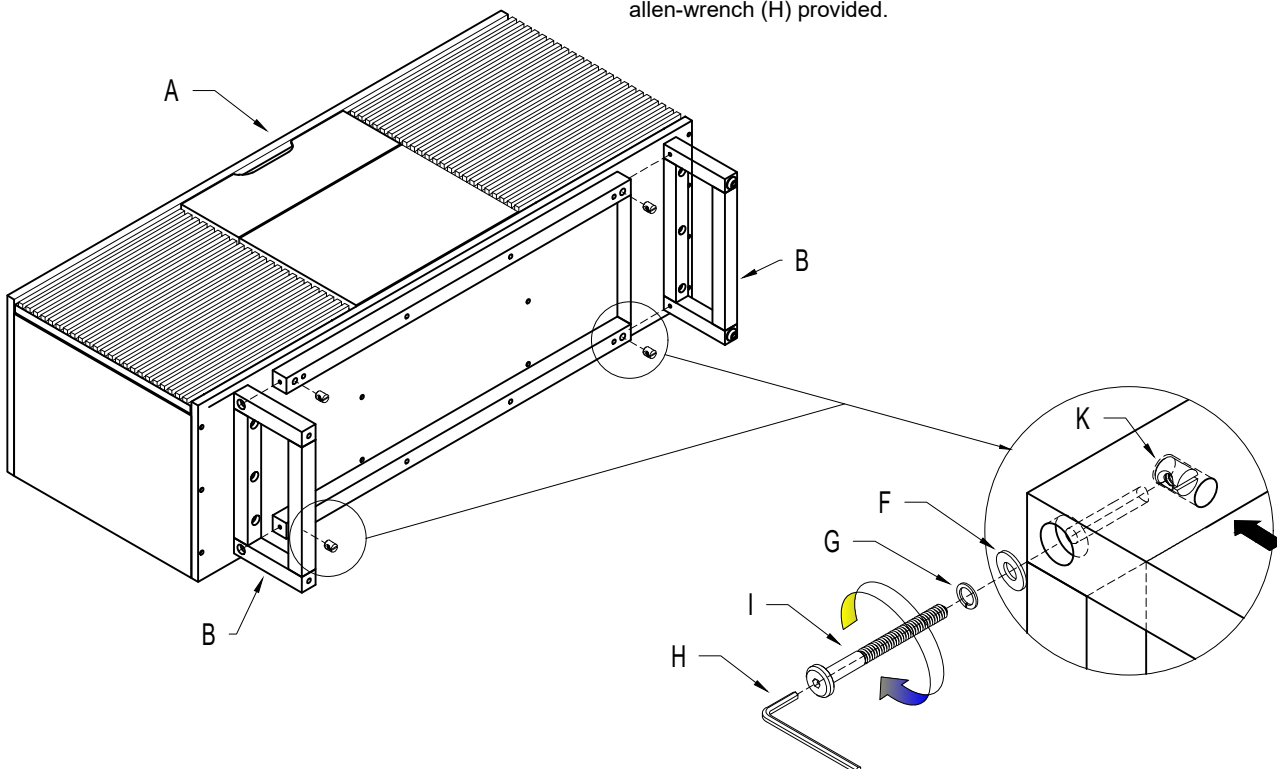
Step 1 : Turn the chest over (A) and place it on the ground where the exterior finish will not be scratched.

Insert the cross dowel (K) with the drill hole of the cross bar on bottom panel.

Align the screw holes of the legs (B) with the screw holes of the cross bar.

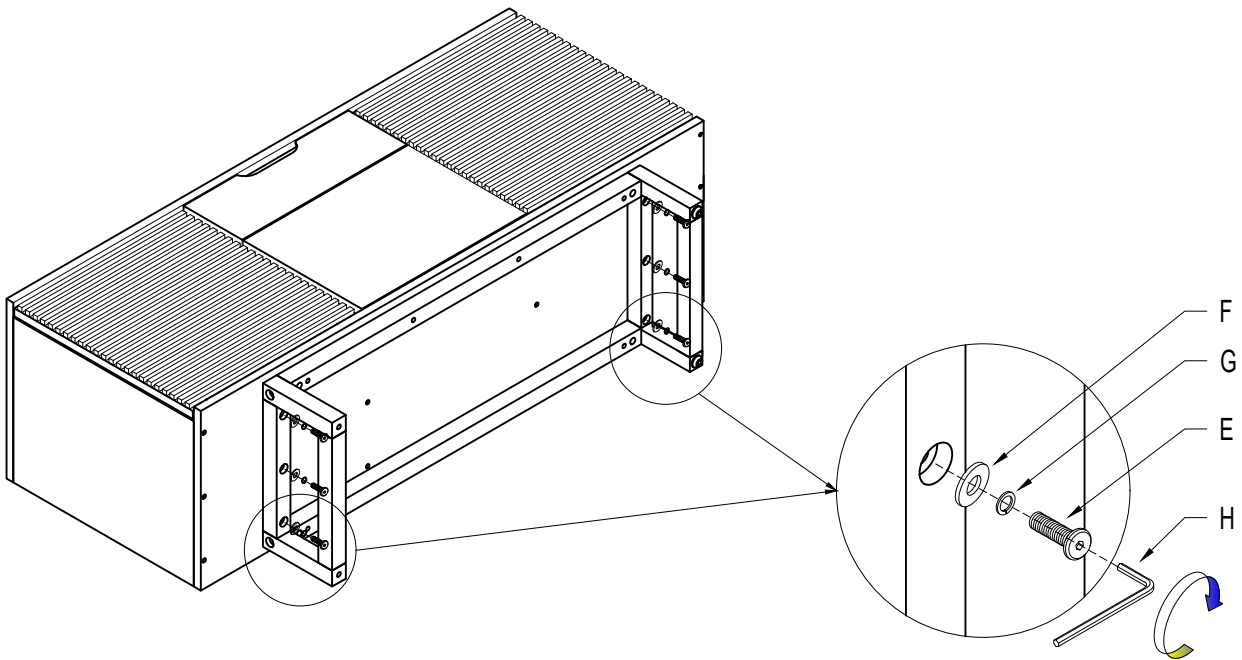
Insert flat washers (F) lock washer (G) and bolt (I) into each hole,

Once the screws are in place,tighten the screw until firmly attached with the allen-wrench (H) provided.



Step 2 :

Align the screw holes of the legs (B) with the screw holes of the bottom panel. Insert flat washers (F) lock washer (G) and bolt (E) into each hole, Once the screws are in place, tighten the screw until firmly attached with the allen-wrench (H) provided.

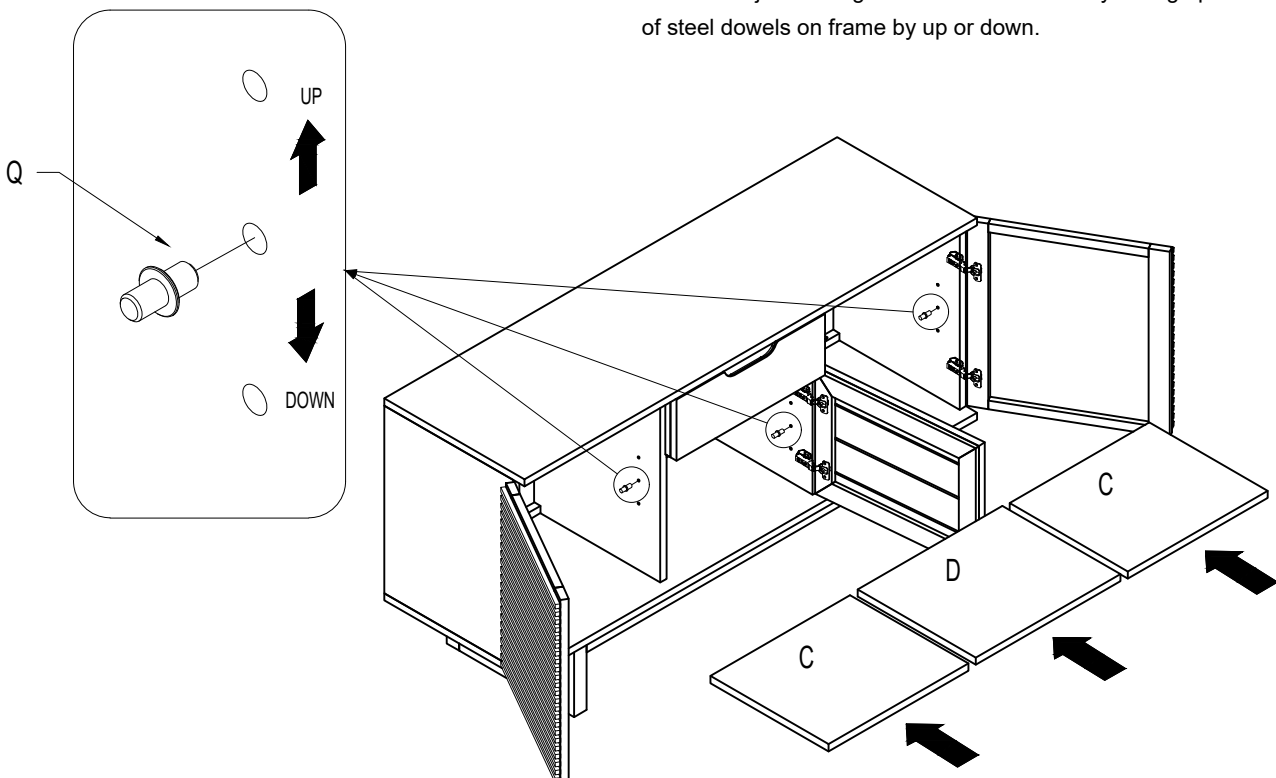






Step 3 :

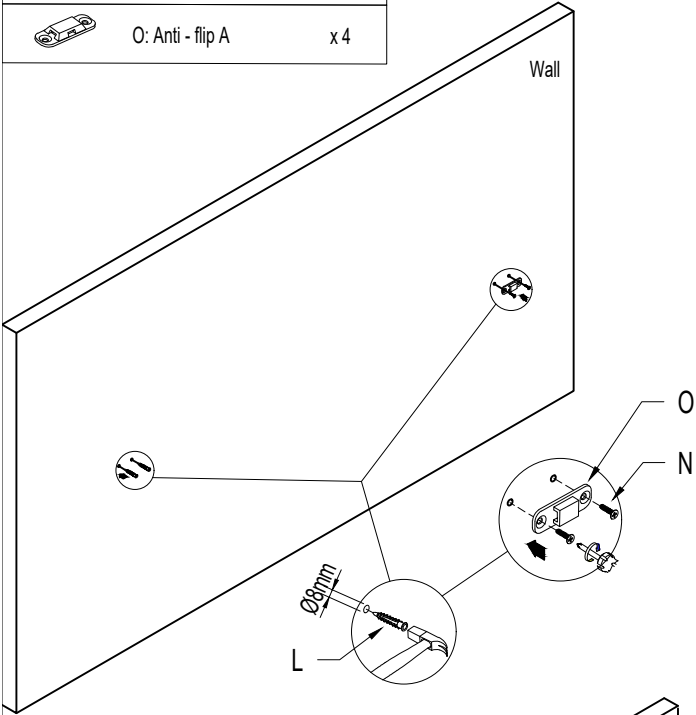
Insert steel dowel (Q) at holes on the chest.

Removing all removable shelf (C) and (D) follow the direction arrow.

You can adjust the high of removeable-shelf by change position drill hole of steel dowels on frame by up or down.



	L: Plastic-Insert nut	x 4
	M: Screw M4*20	x 4
	N: Screw M4*40	x 4
	O: Anti-flip A	x 4

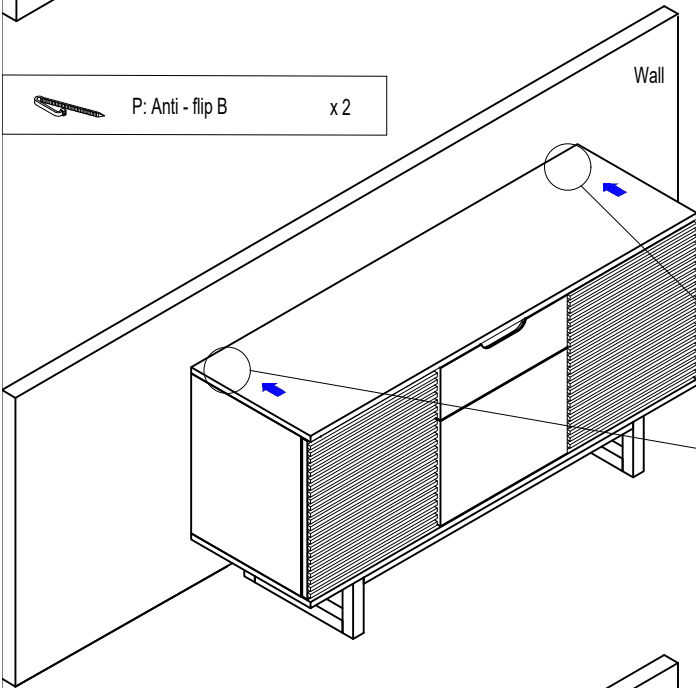
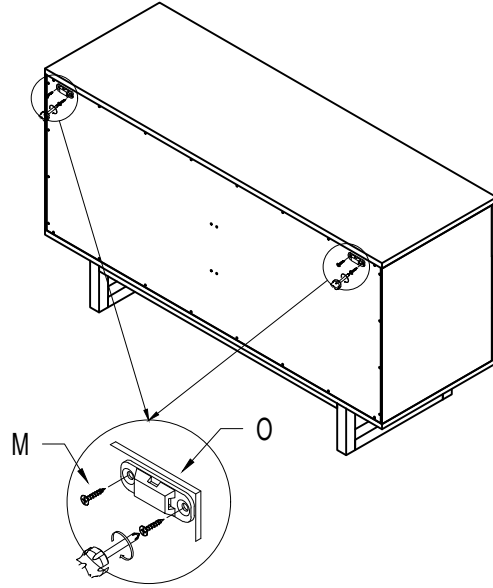


Step 4 : Mark the drill pilot hole into the wall with a Ø8mm drill bit. After that insert Plastic Insert nut (L) at this hole.

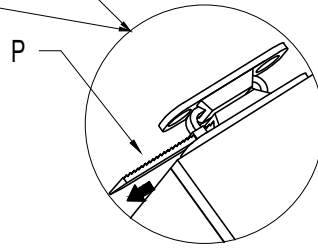
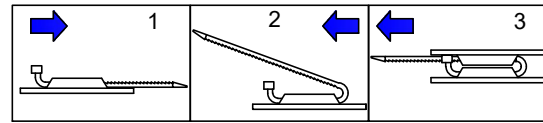
Fixing 1 Anti-flip A (O) by 2 screw M4*40 (N) for each wall bracket with screwdriver.

Once the screws are in place, tighten the screw until firmly attached.

Fixing anti-flip A (O) on back chest (A) by 2 screw M4*20 (M) with screwdriver.



Step 5 : Align the anti-flip A (O) on the wall with the anti-flip A (O) on the chest. Use the anti-flip B (P) through 2 anti-flip A to fix.



Finished

