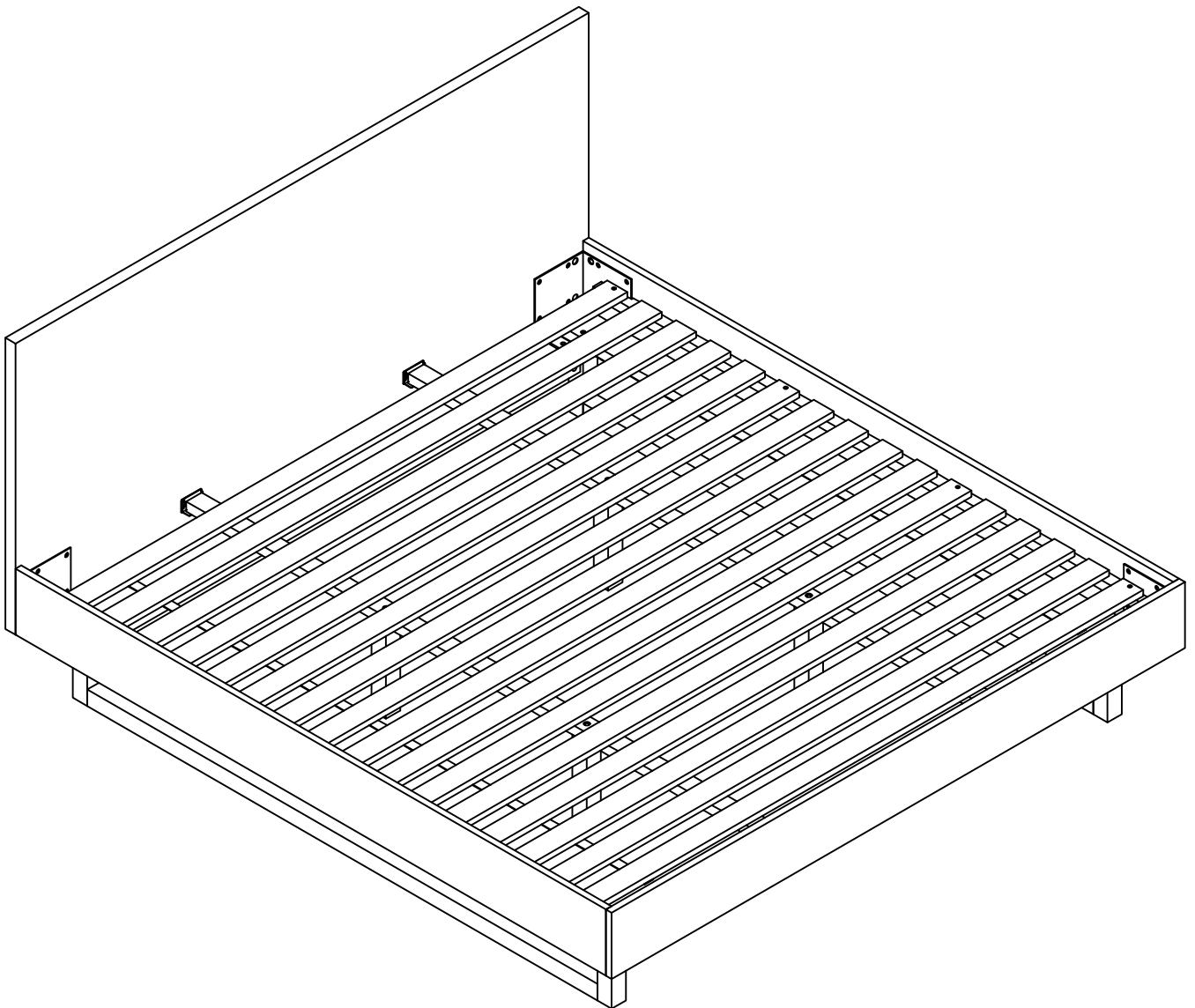
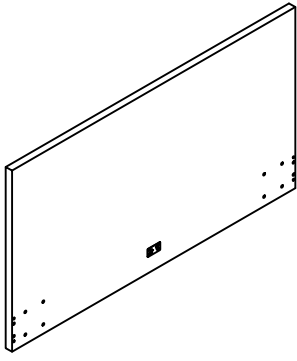
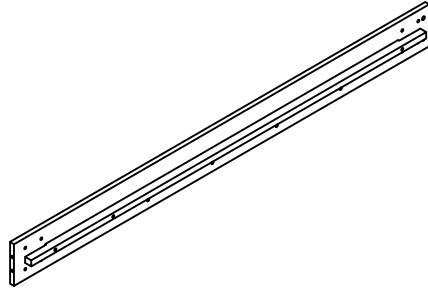


ALDO - KINGBED

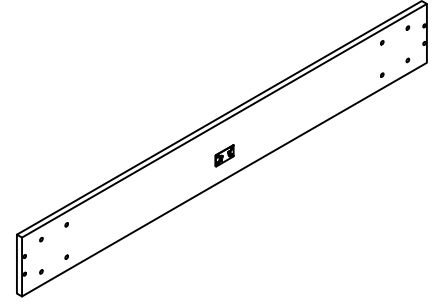




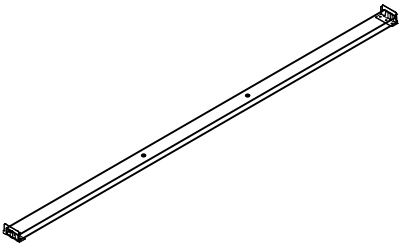
A: Headboard x 1



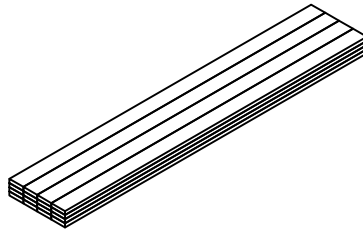
B: Side Panel x 2



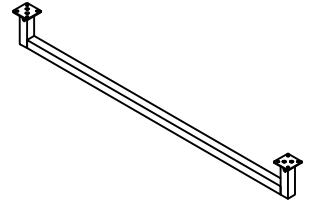
C: Endboard x 1



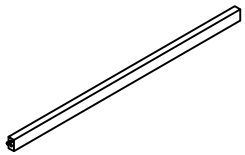
D: Middle bar x 2



E: Slat x 16



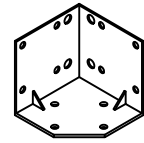
F: Leg x 2



G: Cross bar x 2



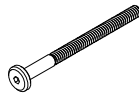
H: Support Leg x 4



I: Corner Bracket x 4



K: Bolt / M8*20mm x 48



P: Bolt M6*70mm x 8



L: Flat Washer / Dia 19mm x 48



Q: Flat Washer / Dia 16mm x 4



M: Lock Washer / Dia 12mm x 48



R: Lock Washer / Dia 10mm x 4



N: Allen wrench x 1



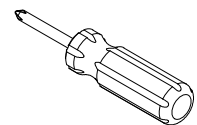
S: Cross dowel x 8



O: Bolt M8*40mm x 4

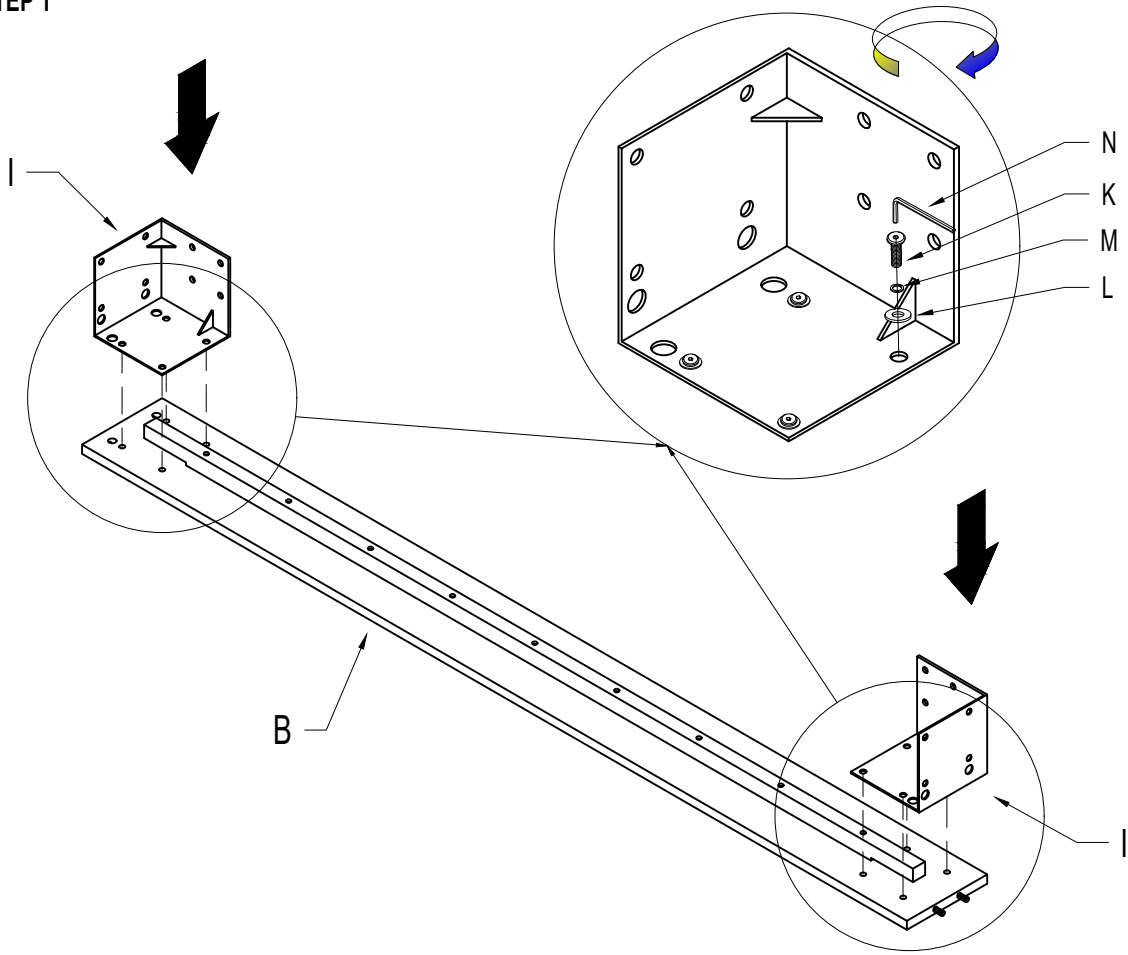


T: Screw / M4*30mm x 8

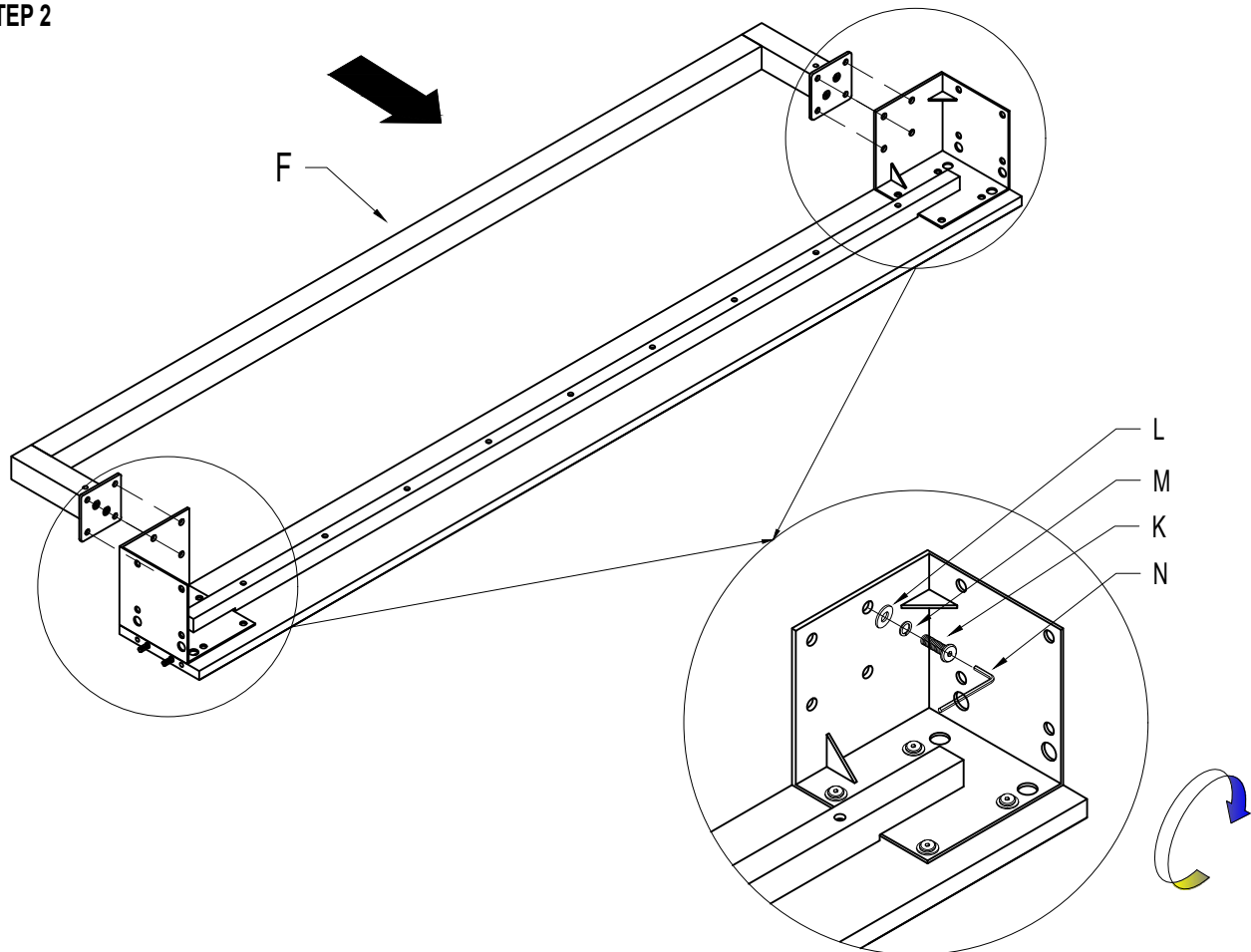


NOT PROVIDED

STEP 1

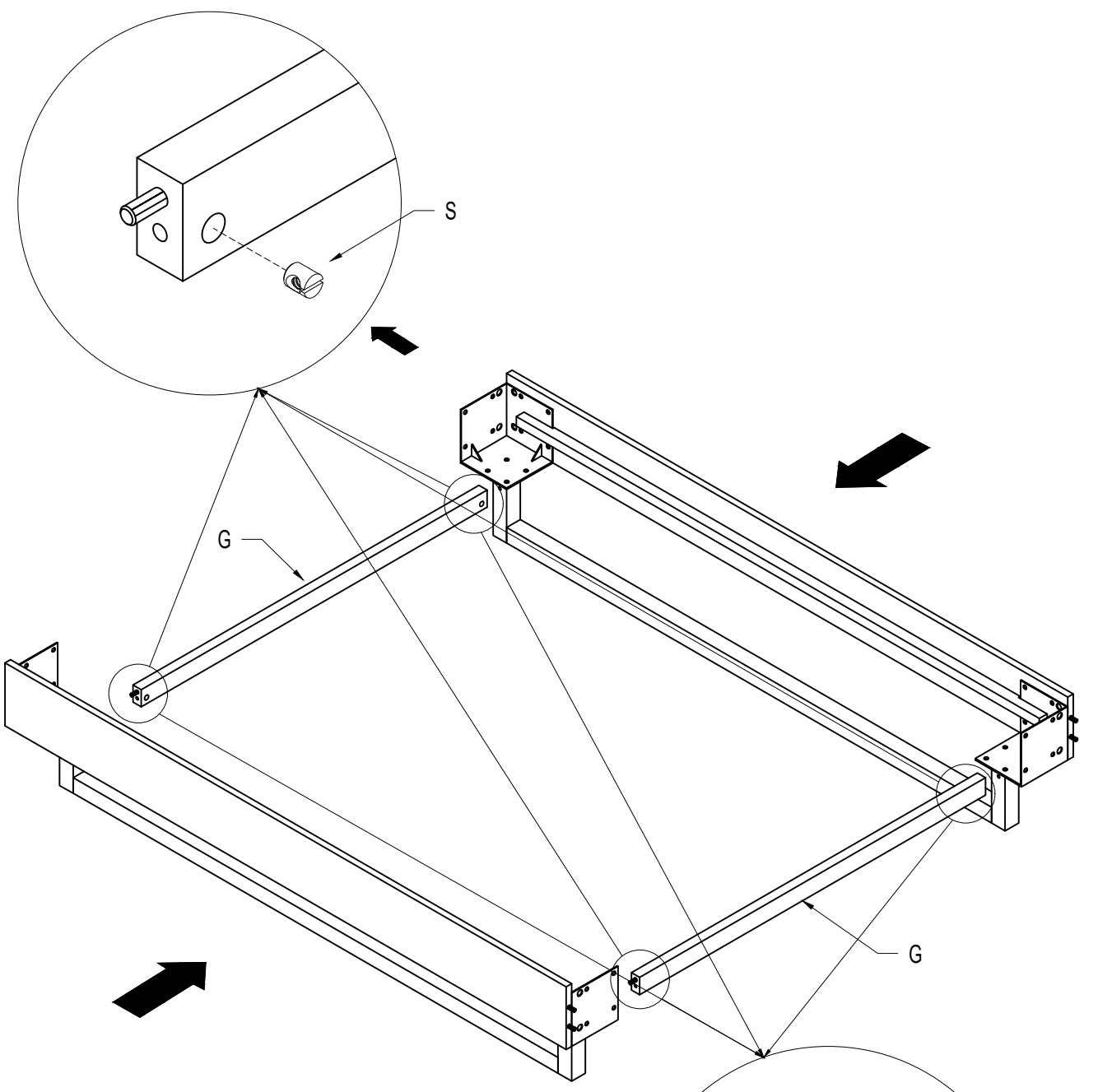


STEP 2

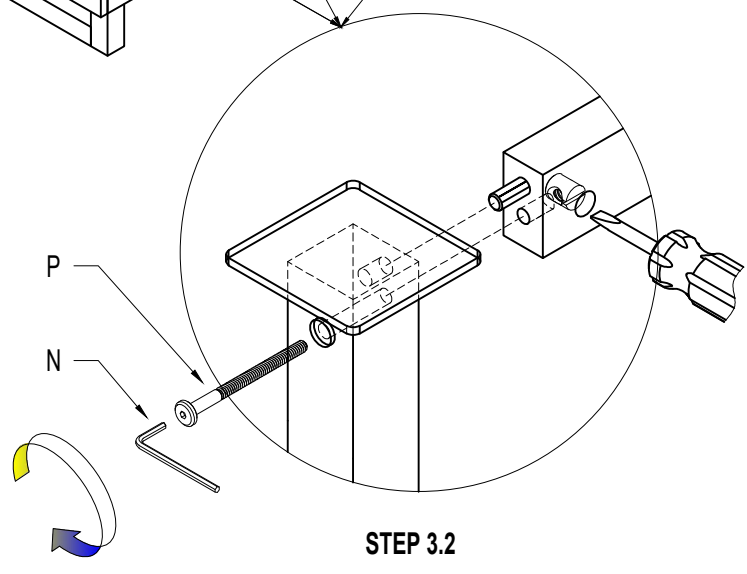


STEP 3

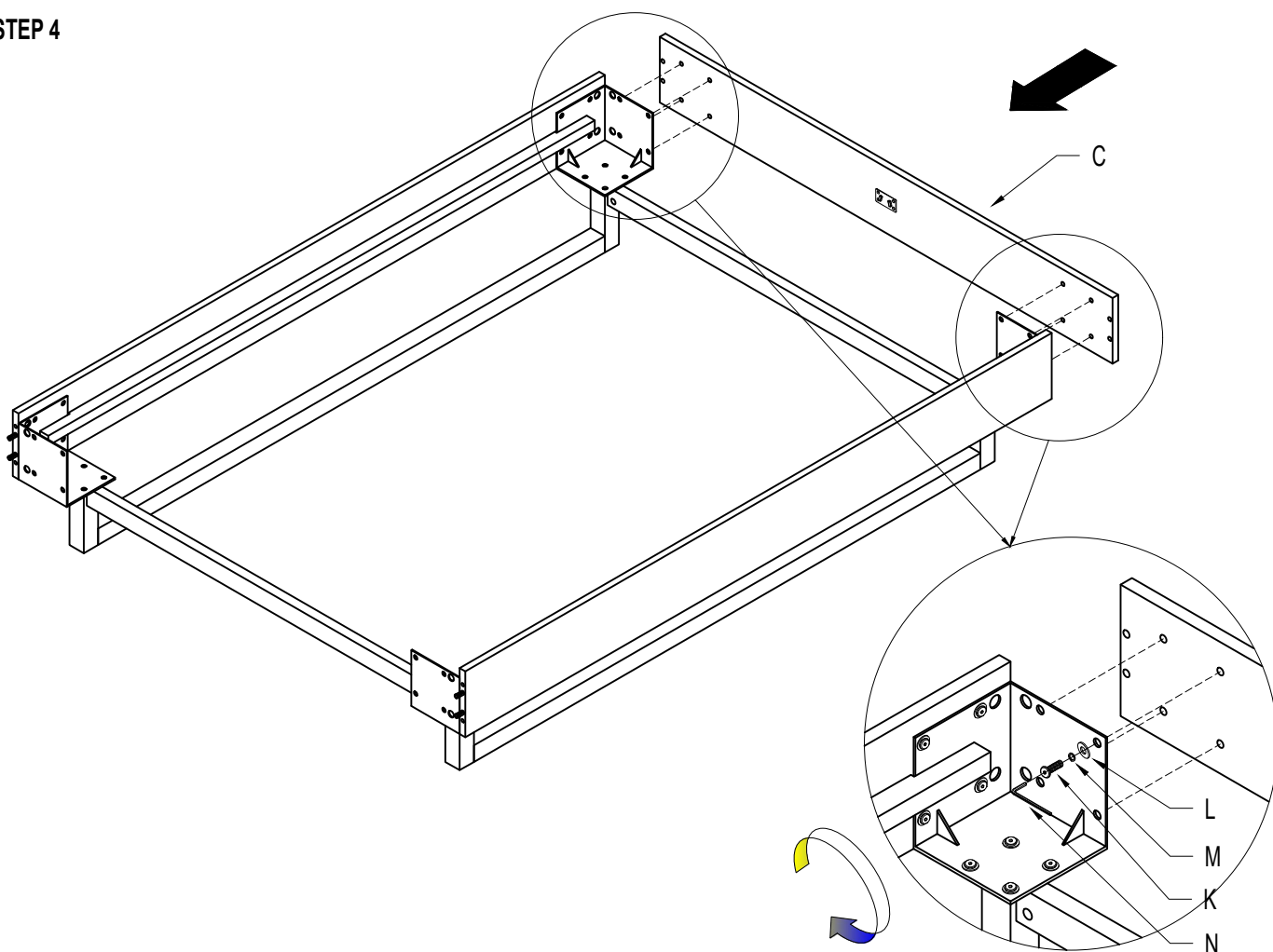
STEP 3.1



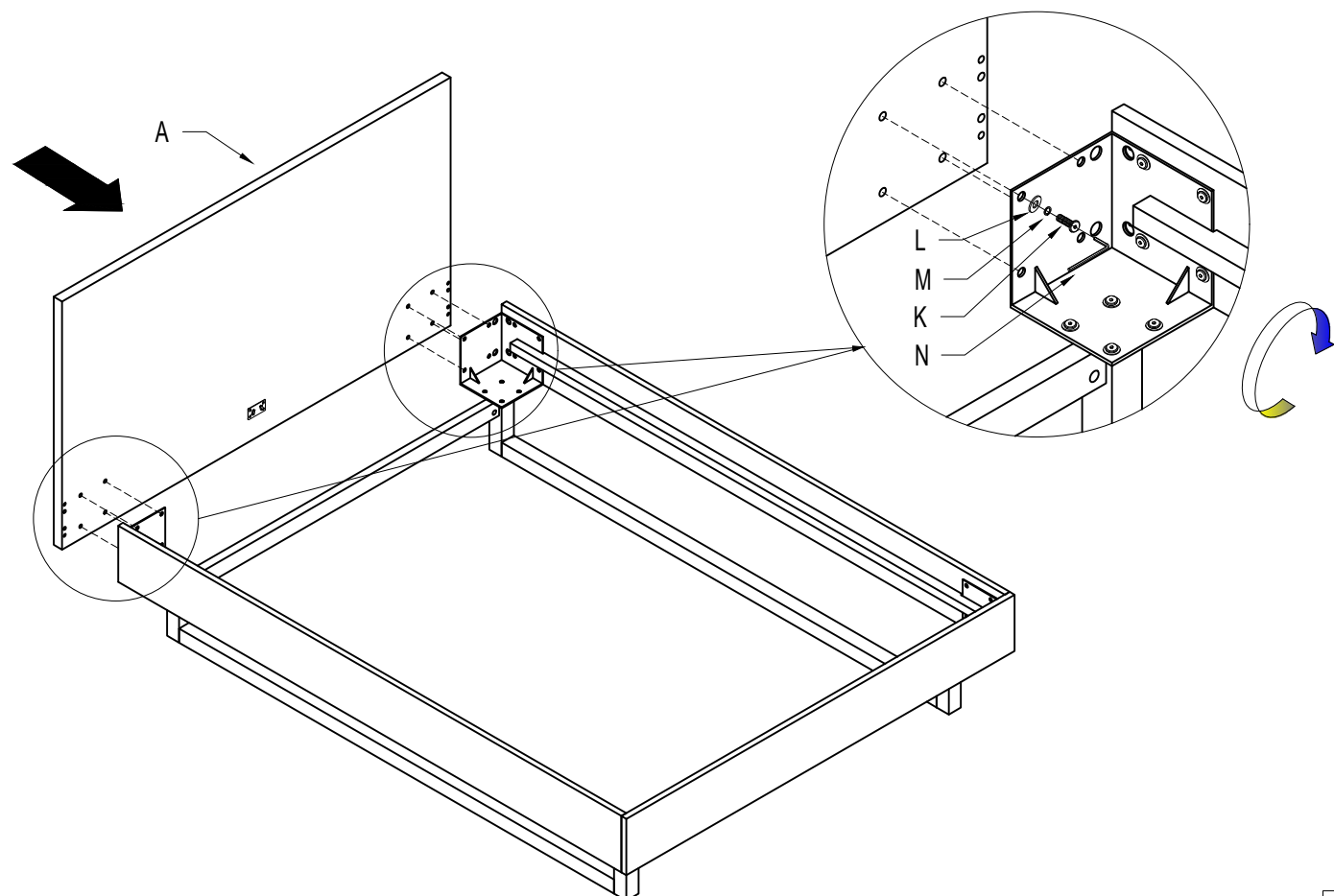
STEP 3.2



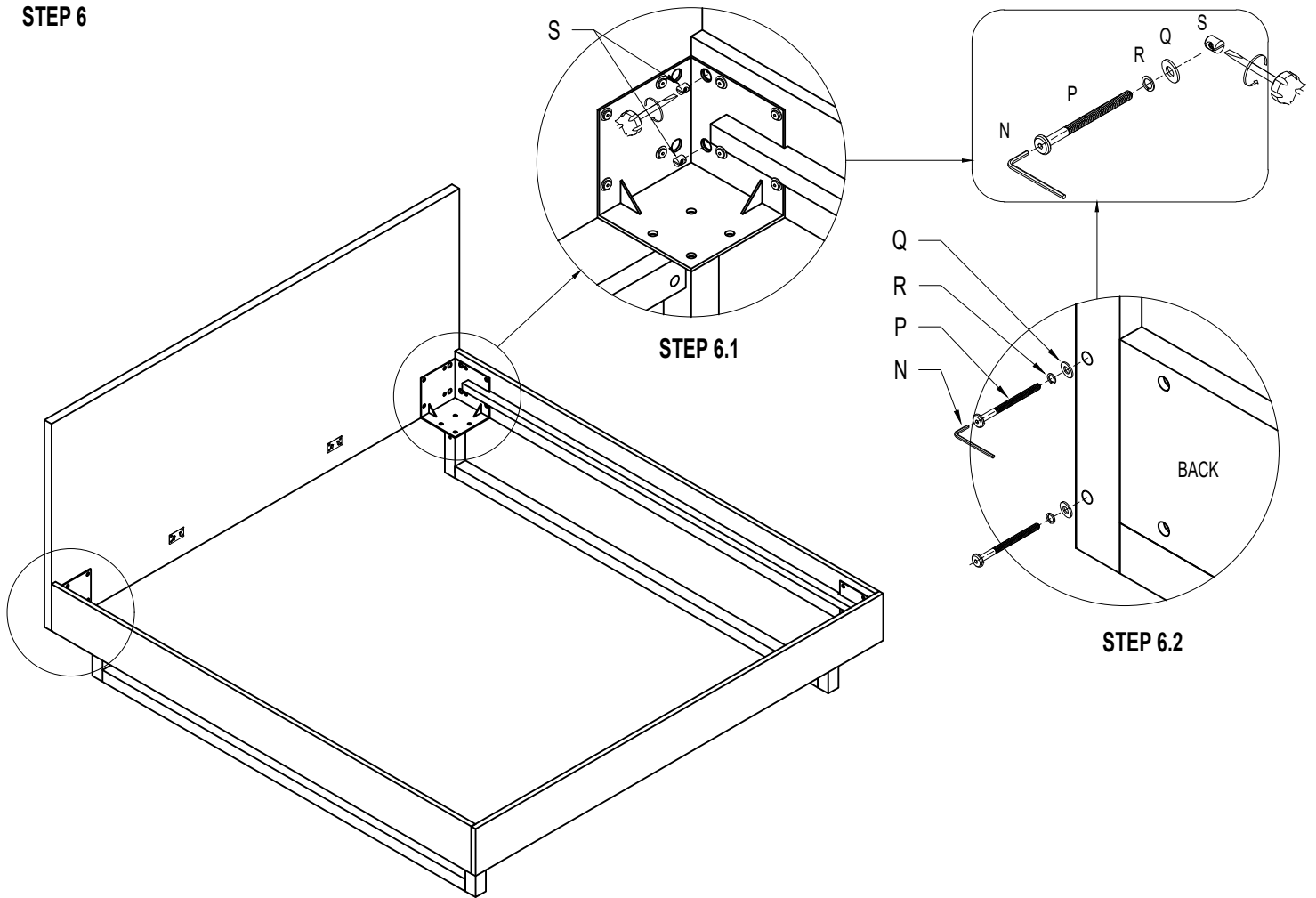
STEP 4



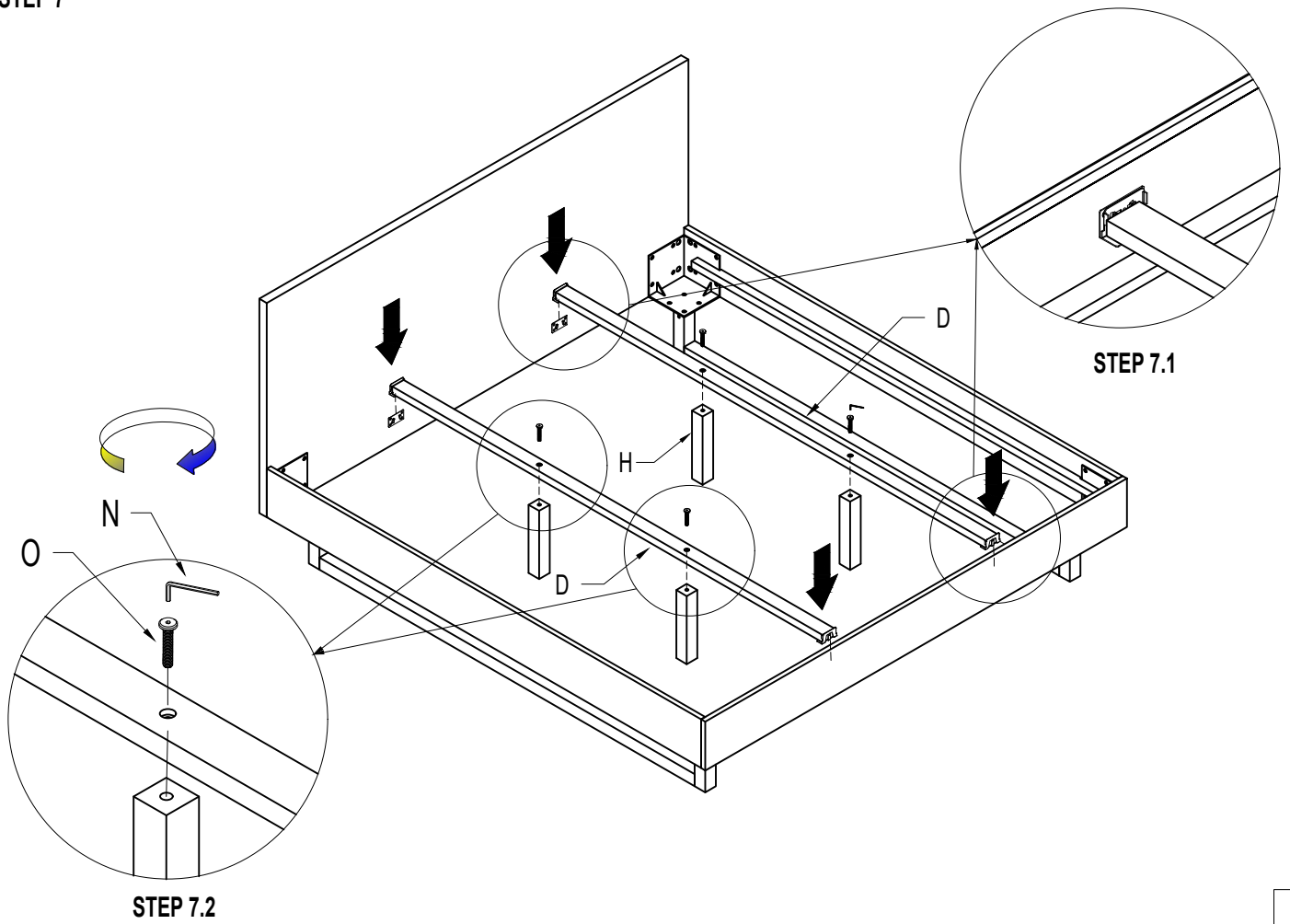
STEP 5



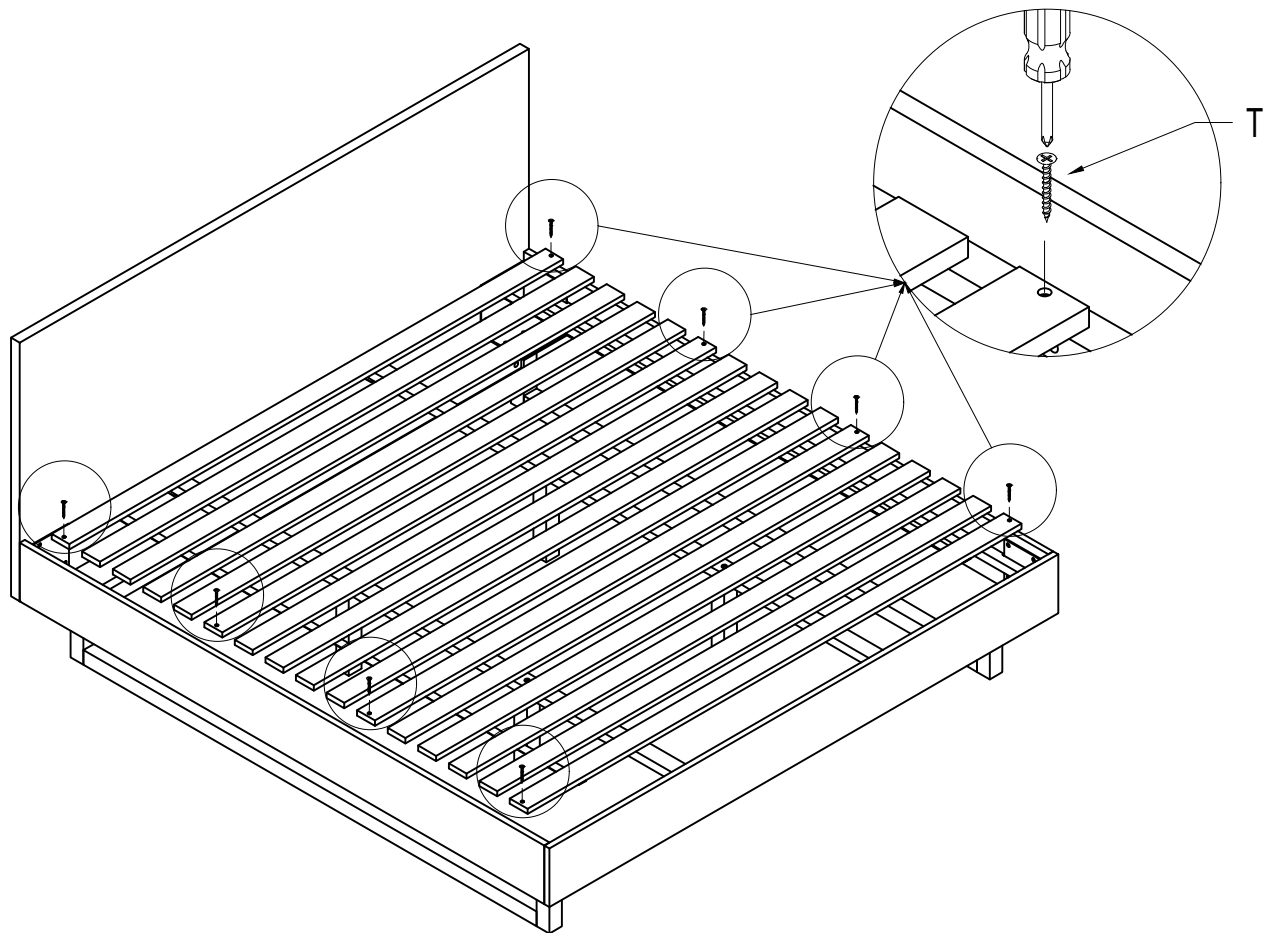
STEP 6



STEP 7



STEP 8



FINISHED

